

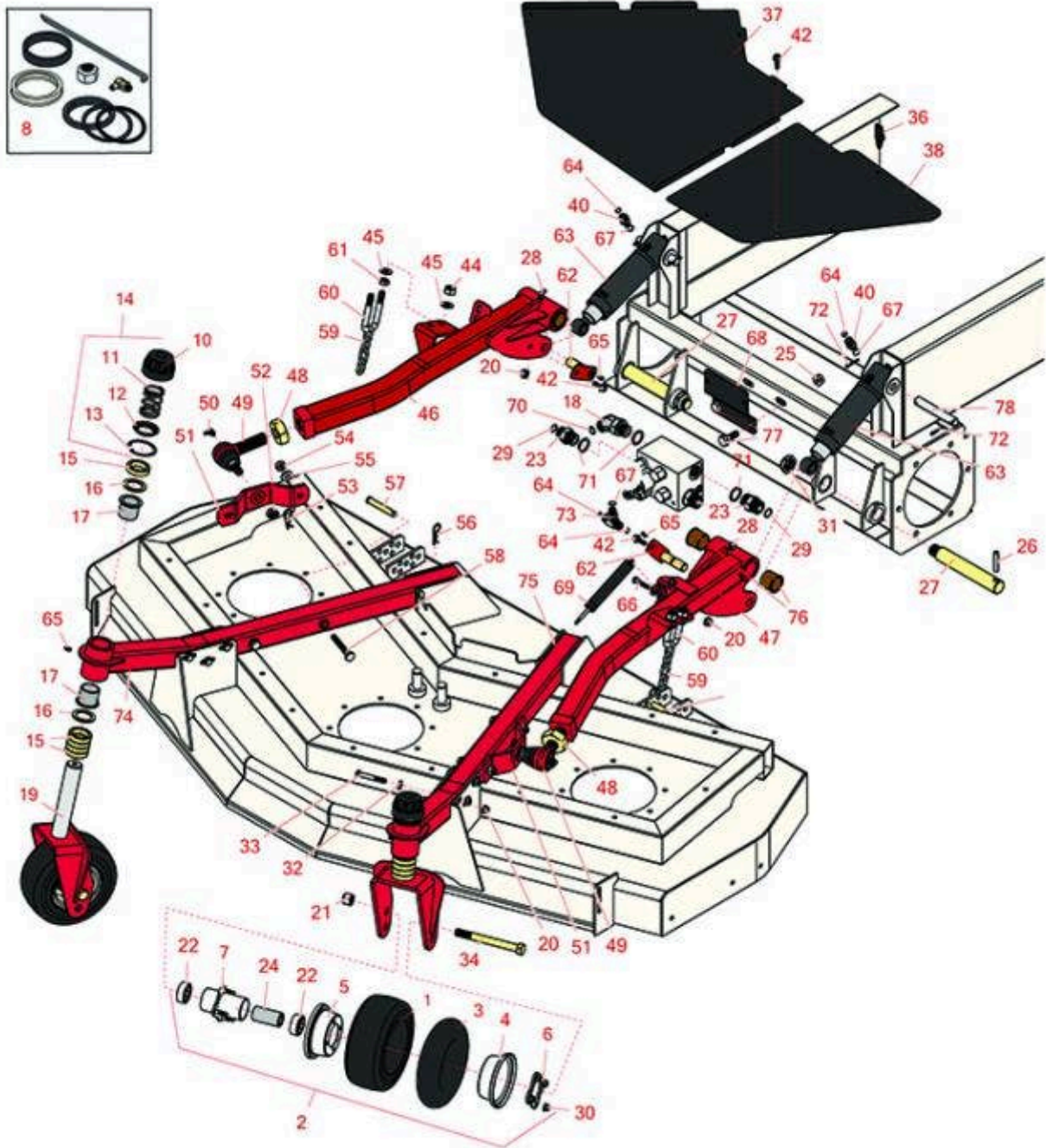


Replaces Toro Groundsmaster 4000-D

Parts

Rotary Mower - Model 30609

Front Deck Lift Arms



All original equipment manufacturers names and part numbers are used for identification purposes only, and we are in no way implying that our products are original equipment parts. Prices subject to change without notice.



Replaces Toro Groundsmaster 4000-D Parts

Rotary Mower - Model 30609
Front Deck Lift Arms



| Item No | R&R Part No. | OEM Part No. | Description | Qty Req | Order Quantity |
|------------------------------|------------------|---|---------------------------------------|---------|----------------|
| 8 | R125-4301 | 125-4301 | Kit - Seal | 1 | |
| Tires | | | | | |
| 1 | R150615 | 136-4424, 137-5924 | Tire - Foam Filled 8-3.5 x 4 Sm 4 Ply | 2 | |
| 1 | R93-9939 | 93-9939, 98-2877 | Tire - 8x3.50-4 (4 Ply) Sm Pneu | 2 | |
| 2 | R137-5529 | 137-5529, 93-5974, 93-9574, 137-5529 | Wheel Assy - Foam Filled 8x3.5-4SM | 2 | |
| 2 | R93-9938 | 86-0020, 93-9938 | Wheel Assy - Castor - Pneu 8x3.50-4 | 2 | |
| 3 | R68-8950 | 68-8950 | Tube - Castor Wheel 9x3.50-4 TR87 | 2 | |
| 4 | R95-2741 | 137-5552, 95-2741 | Rim - Wheel Half w/o Valve Hole | 2 | |
| 5 | R93-4239 | 93-4239 | Rim - Wheel Half w/Valve Hole | 2 | |
| 6 | R93-4242 | 93-4242 | Plate - Caster Wheel | 2 | |
| 7 | R93-5980 | 93-4238, 93-5980 | Hub Assy - w/o Bearings/Spacer | 2 | |
| Other Parts Available | | | | | |
| 10 | R92-8861 | 92-5582, 92-8861 | Cap - HOC | 2 | |
| 11 | R92-9726 | 92-9726 | Spring - Compression | 2 | |
| 12 | R92-5583 | 92-5583 | Washer- Cap | 2 | |
| 13 | R92-5581 | 92-5581 | Ring - Retaining | 2 | |
| 14 | R92-9727 | 92-9727 | Cap Assy - HOC | 2 | |

All original equipment manufacturers names and part numbers are used for identification purposes only, and we are in no way implying that our products are original equipment parts. Prices subject to change without notice.



Replaces Toro Groundsmaster 4000-D Parts

Rotary Mower - Model 30609
Front Deck Lift Arms



| Item No | R&R Part No. | OEM Part No. | Description | Qty Req | Order Quantity |
|---------|---------------------|---|--------------------------------|---------|----------------|
| 15 | R69-1510 | 69-1510 | Spacer - 1/2 Caster Fork | 10 | |
| 16 | R69-6860 | 69-6860 | Washer - 1/8 - Caster Wheel | 4 | |
| 17 | R69-6470 | 69-6470 | Bushing - Flanged | 4 | |
| 18 | R340-156 | 340-156 | Hydraulic Fitting | 1 | |
| 19 | R104-0762-01 | 104-0762-01 | Caster Fork | 2 | |
| 20 | R104-8301 | 104-8301, 104-9301, 109-6658, 133-7570 | Locknut - 3/8-16 Nylon Flanged | 11 | |
| 21 | R3296-53 | 3296-53 | Locknut - 5/8-11 ESNA Yellow | 2 | |
| 22 | R108-9017 | 108-9017, 120-3366 | Bearing-Stainless | 2 | |
| 23 | R340-9 | 340-9 | Fitting - Straight Connector | 3 | |
| 24 | R93-4241 | 93-4241 | Spacer - Caster Wheel | 2 | |
| 25 | R32128-23 | 32128-23, 3218-23, 99-5107 | Nut - Lock Hex Flanged 1/2-13 | 2 | |
| 26 | R32121-110 | 32121-110 | Roll Pin - Slotted | 2 | |
| 27 | R100-3017 | 100-3017 | Pin - Lift Arm | 2 | |
| 28 | R700414 | 302-11, 302-19, 302-4, 32-8170 | Zerk - Grease 1/4-28 45 Deg | 2 | |
| 29 | R237-58 | 237-58 | O-Ring | 3 | |
| 30 | R32128-16 | 32128-16 | Locknut - 5/16-24 Flanged Top | 8 | |
| 31 | R3296-49 | 3296-49 | Locknut - 1 in 14 | 2 | |

All original equipment manufacturers names and part numbers are used for identification purposes only, and we are in no way implying that our products are original equipment parts. Prices subject to change without notice.



Replaces Toro Groundsmaster 4000-D Parts

Rotary Mower - Model 30609
Front Deck Lift Arms



| Item No | R&R Part No. | OEM Part No. | Description | Qty Req | Order Quantity |
|---------|---------------------|--|----------------------------------|---------|----------------|
| 32 | R453011 | 01-166-0100, 01-166-0120, 01-166-0270, 01-166-0500, 01-166-0600, 01-166-0620, 132-4593, 2356-3, 237-12, 24-10-AD, 24-11-AD, 24-11-BD, 24-12-AD, 24-12-BD, 30-9310, 32-8190, 3256-24, 3256-3, 3256-36, 3256-4, 453011, 47-9950, 48-9220, 513458, 7-0052 | Washer - Flat 3/8 SAE Y/Zinc | 10 | |
| 33 | R400274 | 01-178-0626, 112-7161, 3224-11, 400274 | Bolt - Hex HD 3/8-16 x 2-1/2 GR5 | 6 | |
| 34 | R327-24 | 327-24 | Bolt - Hex HD 5/8-11 x 6 | 2 | |
| 36 | R74-5950 | 249-48, 74-5950 | Latch - Swell | 10 | |
| 37 | R100-5660-03 | 100-5660-03 | Cover - Center Front | 1 | |
| 38 | R100-5663-03 | 100-5663-03 | Cover - LH Front | 1 | |
| 40 | R340-2 | 340-2, 60-1920 | Hydraulic Fitting - Striaight | 2 | |
| 42 | R3234-42 | 3234-42 | Bolt - 3/8-16 x 1 Hx HD FI | 3 | |

All original equipment manufacturers names and part numbers are used for identification purposes only, and we are in no way implying that our products are original equipment parts. Prices subject to change without notice.



Replaces Toro Groundsmaster 4000-D Parts

Rotary Mower - Model 30609
Front Deck Lift Arms



| Item No | R&R Part No. | OEM Part No. | Description | Qty Req | Order Quantity |
|---------|--------------------|---|--------------------------------|---------|----------------|
| 44 | R3296-25 | 30-3380, 32127-21, 32127-31, 3290-160, 3290-33, 3296-13, 3296-25, 3296-45, 329645 | Locknut - 1/2-13 Heavy ESNA | 4 | |
| 45 | R3256-26 | 01-166-0540, 01-166-0820, 17-2530, 24-13-BD, 30-8570, 3256-26, 356206, 48-9390 | Washer - 1/2 in | 8 | |
| 46 | R120-8878 | 120-8878 | Lift Arm Assy - RH Center Deck | 1 | |
| 47 | R120-8879 | 120-8879 | Lift Arm Assy - LH Center Deck | 1 | |
| 48 | R21-3001 | 21-3001-03 | Nut- Jam 1-16 LH | 2 | |
| 49 | R86-8101-01 | 21-0161, 86-8101, 86-8101-01, 86-8101-03 | Ball Joint | 2 | |
| 50 | R302-40 | 302-13, 302-40 | Fitting - Grease | 2 | |
| 51 | R93-4583-01 | 93-4583, 93-4583-01 | Mount - Ball Joint | 2 | |
| 52 | R32136-2 | 22-18-BJLD, 32136-2, 3221-5 | Nut - Slotted Hex HD | 2 | |
| 53 | R3272-12 | 01-151-0090, 28-19-D, 3272-12 | Pin - Cotter 1/8 x 1-1/4 | 2 | |

All original equipment manufacturers names and part numbers are used for identification purposes only, and we are in no way implying that our products are original equipment parts. Prices subject to change without notice.



Replaces Toro Groundsmaster 4000-D Parts

Rotary Mower - Model 30609
Front Deck Lift Arms



| Item No | R&R Part No. | OEM Part No. | Description | Qty Req | Order Quantity |
|---------|------------------|--|-----------------------------------|---------|----------------|
| 54 | R3296-48 | 119-4039, 32146-7, 3296-34, 3296-48 | Locknut - 7/16-14 ESNA | 4 | |
| 55 | R87-7480 | 87-7480 | Washer | 8 | |
| 56 | R3290-467 | 3290-467 | Pin-Hair | 2 | |
| 57 | R283-55 | 283-55 | Clevis Pin - 1/2 x 3 | 2 | |
| 58 | R324-19 | 01-150-1000, 01-178-0728, 324-19 | Bolt - Hex HD 7/16-14 x 3 1/2 GR8 | 4 | |
| 59 | R95-6231 | 95-6231 | Chain - HOC | 2 | |
| 60 | R104-0108 | 104-0108 | U-Bolt | 2 | |
| 61 | R443118 | 01-188-0813, 22-15-AJD, 3217-9 | Nut - 1/2-13 Zinc | 4 | |
| 62 | R100-3020 | 100-3020 | Pin Assy | 2 | |
| 63 | R120-8802 | 120-8802 | Hydraulic Cylinder | 2 | |
| 64 | R237-22 | 107-8844, 237-22, 237-78 | O-Ring | 6 | |
| 65 | R302-5 | 21-6010, 302-11, 302-37, 302-47, 302-5, 302-57, 302-58, 302-6, 31-0300, 32-9660, 60-0800, 62-3880, 92-4181 | Fitting - Grease | 4 | |

All original equipment manufacturers names and part numbers are used for identification purposes only, and we are in no way implying that our products are original equipment parts. Prices subject to change without notice.



Replaces Toro Groundsmaster 4000-D Parts

Rotary Mower - Model 30609
Front Deck Lift Arms



| Item No | R&R Part No. | OEM Part No. | Description | Qty Req | Order Quantity |
|---|---------------------|------------------------------------|--------------------------------------|---------|----------------|
| 66 | R322-17 | 322-17 | Bolt | 1 | |
| 67 | R237-42 | 237-42, 31-4160 | O-Ring | 5 | |
| 68 | R104-0746-03 | 104-0746-03 | Bracket - Manifold | 1 | |
| 69 | R105-3249 | 104-7512, 105-3249 | Damper | 1 | |
| 70 | R237-65 | 237-65, 237.65 | O-Ring | 2 | |
| 71 | R237-81 | 237-81, 237.81, 327-81 | O-Ring | 3 | |
| 72 | R460050 | 01-151-0060, 3272-23, 460050 | Pin - Cotter 3/16 x 1-1/4 | 4 | |
| 73 | R340-94 | 340-94 | Adapter | 1 | |
| 74 | R100-8091 | 100-8091 | Castor Arm Assy - RH | 1 | |
| <i>Tech Note: Ser# 313000001-313999999:</i> | | | | | |
| 74 | R127-3720 | 127-3720 | Castor Arm Assy - RH | 1 | |
| <i>Tech Note: Ser# 314000001-315999999:</i> | | | | | |
| 74 | R132-6176 | 132-6176 | Caster Arm Assy - RH | 1 | |
| <i>Tech Note: Ser# 400000000-408899999:</i> | | | | | |
| 75 | R100-8092 | 100-8092 | Castor Arm Assy - LH - Incl Bushings | 1 | |
| <i>Tech Note: Ser# 313000001-313999999:</i> | | | | | |
| 75 | R127-3730 | 127-3730 | Castor Arm Assy - LH - Incl Bushings | 1 | |
| <i>Tech Note: Ser# 314000001-315999999:</i> | | | | | |
| 75 | R132-6169 | 132-6169 | Caster Arm Assy - LH | 1 | |

All original equipment manufacturers names and part numbers are used for identification purposes only, and we are in no way implying that our products are original equipment parts. Prices subject to change without notice.



Replaces Toro Groundsmaster 4000-D Parts

Rotary Mower - Model 30609
Front Deck Lift Arms



| Item No | R&R Part No. | OEM Part No. | Description | Qty Req | Order Quantity |
|---|------------------|---|------------------------------|---------|----------------|
| <i>Tech Note: Ser# 400000000-408899999:</i> | | | | | |
| 76 | R104-0015 | 104-0015, 104-8339 | Bushing - Flanged | 4 | |
| 77 | R400408 | 01-150-0090, 01-178-0812, 20-87-AD, 20-87-AGD, 20-87-AGF, 3226-2, 325-6, 513376, 513378 | Bolt - Hex HD 1/2-13 x 1-1/2 | 2 | |
| 78 | R105-7456 | 100-5559, 105-7456 | Pin - Pivot | 2 | |

All original equipment manufacturers names and part numbers are used for identification purposes only, and we are in no way implying that our products are original equipment parts. Prices subject to change without notice.