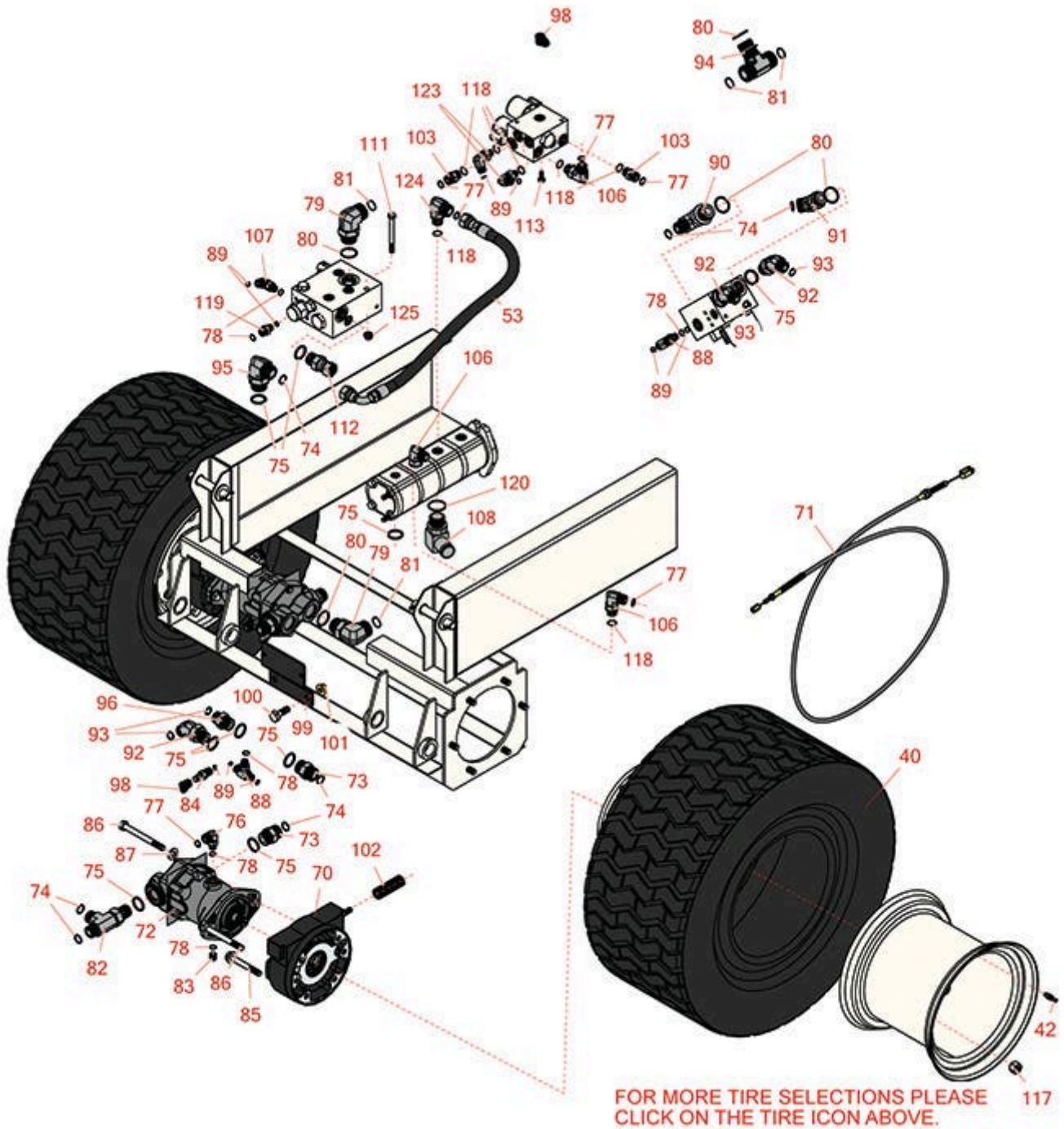




Replaces Toro Groundsmaster 4000-D Parts

Rotary Mower - Model 30410
Planetary, Brake And Tire Assembly



All original equipment manufacturers names and part numbers are used for identification purposes only, and we are in no way implying that our products are original equipment parts. Prices subject to change without notice.



Replaces Toro Groundsmaster 4000-D Parts

Rotary Mower - Model 30410
Planetary, Brake And Tire Assembly



Item No	R&R Part No.	OEM Part No.	Description	Qty Req	Order Quantity
---------	--------------	--------------	-------------	---------	----------------

Tires & Wheels

40	RCT574377	119-8313, 126-8033, 99-5434	Tire - 26x12.00-12 Nhs (6 Ply) Carlisle Multi Trac C/S	2	
42	R232-27	232-27, 232-31	Stem - Valve w/ Cap	2	

Hoses

53	R95-0961	95-0961	Hydraulic Hose Assy	1	
----	-----------------	---------	---------------------	---	--

Other Parts Available

70	R100-3070-03	100-3070-03	Brake Assy - LH	1	
70	R100-3069-03	100-3069-03	Brake Assy - RH	1	
71	R99-5501	99-5501	Brake Cable Assy	2	
72	R100-3052	100-3052	Piston Motor Assy - Front	2	
73	R340-9	340-9	Fitting - Straight Connector	4	
74	R237-58	237-58	O-Ring	9	
75	R237-81	237-81, 237.81, 327-81	O-Ring	12	
76	R340-99	340-99	Hydraulic Fitting - 90 Deg	3	
77	R237-30	23-6320, 237-30	O-Ring - Seal	15	
78	R237-42	237-42, 31-4160	O-Ring	9	
79	R340-129	340-129	Hydraulic Fitting - 90 Deg	2	
80	R237-146	237-146, 340-146	O-Ring	6	

All original equipment manufacturers names and part numbers are used for identification purposes only, and we are in no way implying that our products are original equipment parts. Prices subject to change without notice.



Replaces Toro Groundsmaster 4000-D Parts

Rotary Mower - Model 30410
Planetary, Brake And Tire Assembly



Item No	R&R Part No.	OEM Part No.	Description	Qty Req	Order Quantity
81	R340-65	340-65	O-Ring	4	
82	R340-148	340-148	Fitting-Tee	1	
83	R353-989	353-989	Plug - Hex - Hollow	1	
84	R354-77	354-77	Fitting-Quick	1	
85	R33106-090	33106-090	Bolt - M12-1.75 x 90 Fl Hex HD Gr 8.8	4	
86	R33116-120	33116-120	Bolt - M12-1.75 x 120mm Hx HD	4	
87	R3256-26	01-166-0540, 01-166-0820, 17-2530, 24-13-BD, 30-8570, 3256-26, 356206, 48-9390	Washer - 1/2 in	8	
88	R340-94	340-94	Adapter	2	
89	R237-22	107-8844, 237-22, 237-78	O-Ring	9	
90	R340-15	340-15	Hydraulic Fitting - 90 Deg	1	
91	R100-5530	100-5530, 98-0657	Hydraulic Fitting - 45 Deg	1	
92	R340-156	340-156	Hydraulic Fitting	3	
93	R237-65	237-65, 237.65	O-Ring	4	
94	R104-7501	104-7501	Hydraulic Fitting	1	
95	R340-142	340-142, 95-1692	Hydraulic Fitting - 90 Deg	1	
96	R340-8	340-8	Adapter	1	

All original equipment manufacturers names and part numbers are used for identification purposes only, and we are in no way implying that our products are original equipment parts. Prices subject to change without notice.



Replaces Toro Groundsmaster 4000-D Parts

Rotary Mower - Model 30410
Planetary, Brake And Tire Assembly



Item No	R&R Part No.	OEM Part No.	Description	Qty Req	Order Quantity
98	R354-79	354-79	Cap-Dust	2	
99	R104-0746-03	104-0746-03	Bracket - Manifold	1	
100	R400408	01-150-0090, 01-178-0812, 20-87-AD, 20-87-AGD, 20-87-AGF, 3226-2, 325-6, 513376, 513378	Bolt - Hex HD 1/2-13 x 1-1/2	8	
101	R32128-23	32128-23, 3218-23, 99-5107	Nut - Lock Hex Flanged 1/2-13	8	
102	R94-3088	94-3088	Spring - Compression	2	
103	R340-4	340-4	Hydraulic Fitting - Male Connector	2	
106	R340-98	340-98	Hydraulic Fitting	3	
107	R340-77	340-100, 340-77, 95-7889	Hydraulic Fitting	1	
108	R92-7526	92-7526	Hydraulic Fitting - 90 Deg	1	
111	R323-42	01-178-0630, 323-42	Bolt - Hx HD 3/8-16 x 3 3/4	1	
112	R106-2009	106-2009	Hydraulic Fitting - Swivel	1	
113	R322-3	01-150-1420, 01-178-0506, 20-24-AD, 20-24-AGD, 322-3, 48-9270, 513339, 908017P	Bolt - Hex HD 5/16-18 x 3/4	2	
117	R242-50	242-50	Nut - 1/2-20 Wheel	16	

All original equipment manufacturers names and part numbers are used for identification purposes only, and we are in no way implying that our products are original equipment parts. Prices subject to change without notice.



Replaces Toro Groundsmaster 4000-D Parts

*Rotary Mower - Model 30410
Planetary, Brake And Tire Assembly*



Item No	R&R Part No.	OEM Part No.	Description	Qty Req	Order Quantity
118	R237-79	237-79	O-Ring	10	
119	R340-2	340-2, 60-1920	Hydraulic Fitting - Striaight	1	
120	R237-101	237-101	O-Ring	1	
123	R340-18	340-18	Hydraulic Fitting	2	
124	R340-16	100-8255, 340-16	Hydraulic Fitting	1	
125	R104-8301	104-8301, 104-9301, 109-6658, 133-7570	Locknut - 3/8-16 Nylon Flanged	1	

All original equipment manufacturers names and part numbers are used for identification purposes only, and we are in no way implying that our products are original equipment parts. Prices subject to change without notice.