

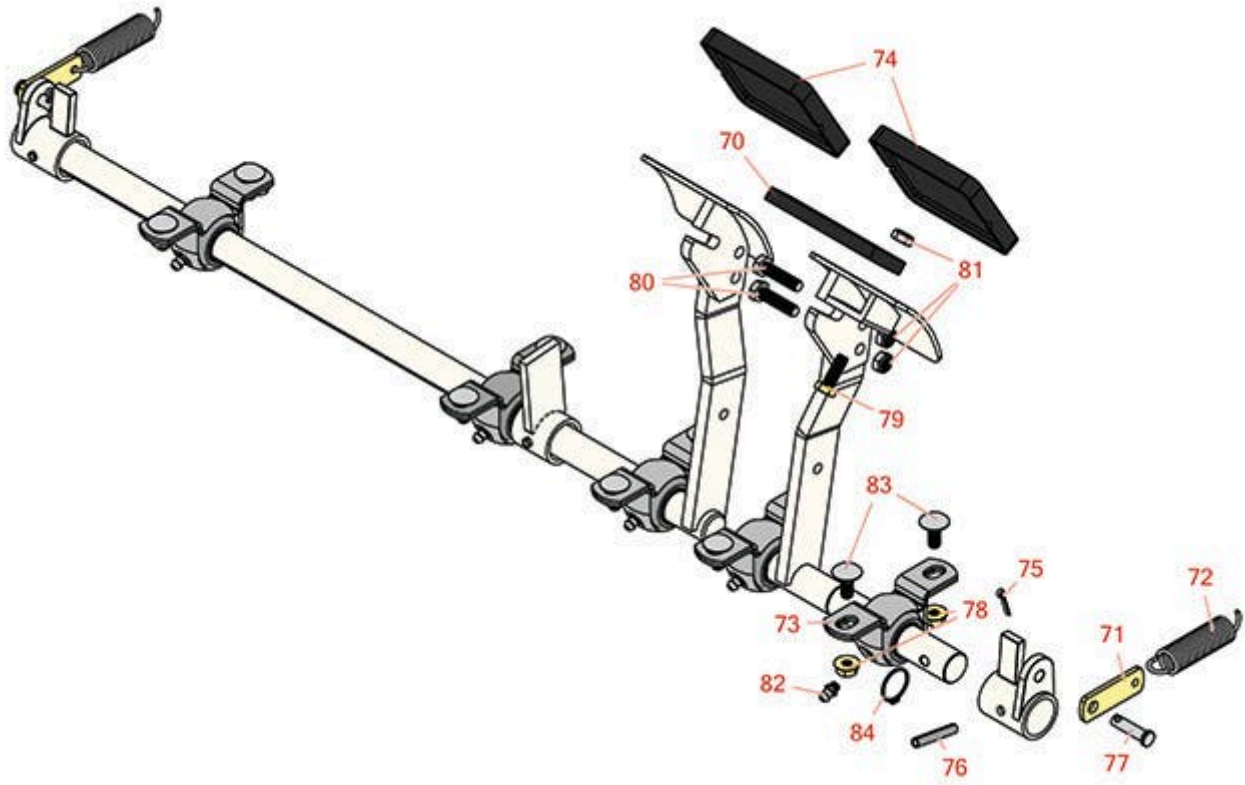
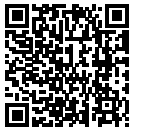


Replaces Toro Groundsmaster 4000-D

Parts

Rotary Mower - Model 30410

Brake Pedal And Linkage



All original equipment manufacturers names and part numbers are used for identification purposes only, and we are in no way implying that our products are original equipment parts. Prices subject to change without notice.



Replaces Toro Groundsmaster 4000-D Parts

Rotary Mower - Model 30410
Brake Pedal And Linkage



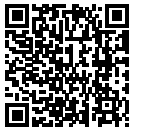
Item No	R&R Part No.	OEM Part No.	Description	Qty Req	Order Quantity
70	R93-5568	93-5568	Arm - Lock	1	
71	R100-5540	100-5540	Strap - Brake	2	
72	R93-5262	93-5262	Spring - Extension	2	
73	R93-4849	93-4849, 93-5477	Bearing - Pillow Block	5	
74	R93-7629	27-7570, 27-7580, 49-6170, 93-7629, 93-8743	Rubber Foot Pad - Brake	2	
75	R1023-4	01-151-0150, 1023-4, 19-6220, 214-14, 215-54, 28-9-D, 3272-4, 3272-6, 513567, 932008P	Pin - Cotter 3/32 x 3/4	2	
76	R32121-15	21-7710, 32-8880, 32121-15	Pin - Roll 1/4 x 1-1/2	3	
77	R283-61	283-61, 86-2140, N/A, R3296-12	Pin - Clevis 5/16 x 1-1/8	2	
78	R104-8300	104-8300, 104-8300 , 119-4041	Locknut - 5/16-18 Flanged Y/Zinc	10	
79	R322-4	322-4, 3290-115, 908018P	Bolt - Hex HD 5/16-18 x 7/8	1	

All original equipment manufacturers names and part numbers are used for identification purposes only, and we are in no way implying that our products are original equipment parts. Prices subject to change without notice.



Replaces Toro Groundsmaster 4000-D Parts

Rotary Mower - Model 30410
Brake Pedal And Linkage



Item No	R&R Part No.	OEM Part No.	Description	Qty Req	Order Quantity
80	R400190	01-150-0720, 01-178-0510, 30-8680, 322-6, 513343	Bolt - Hex HD 5/16-18 x 1-1/4 GR5	4	
81	R3296-29	1-804256, 3290-357, 3296-29, 915662P	Locknut - 5/16-18 ESNA	5	
82	R302-5	21-6010, 302-11, 302-37, 302-47, 302-5, 302-57, 302-58, 302-6, 31-0300, 32-9660, 60-0800, 62-3880, 92-4181	Fitting - Grease	5	
83	R3230-1	01-173-0506, 3230-1, 3230-20, 900037P	Bolt - Carriage 5/16-18 x 3/4	10	
84	R1056	31-3150, 32-9020, 32120-32, 32151-83	Ring - Snap Reel	3	

All original equipment manufacturers names and part numbers are used for identification purposes only, and we are in no way implying that our products are original equipment parts. Prices subject to change without notice.