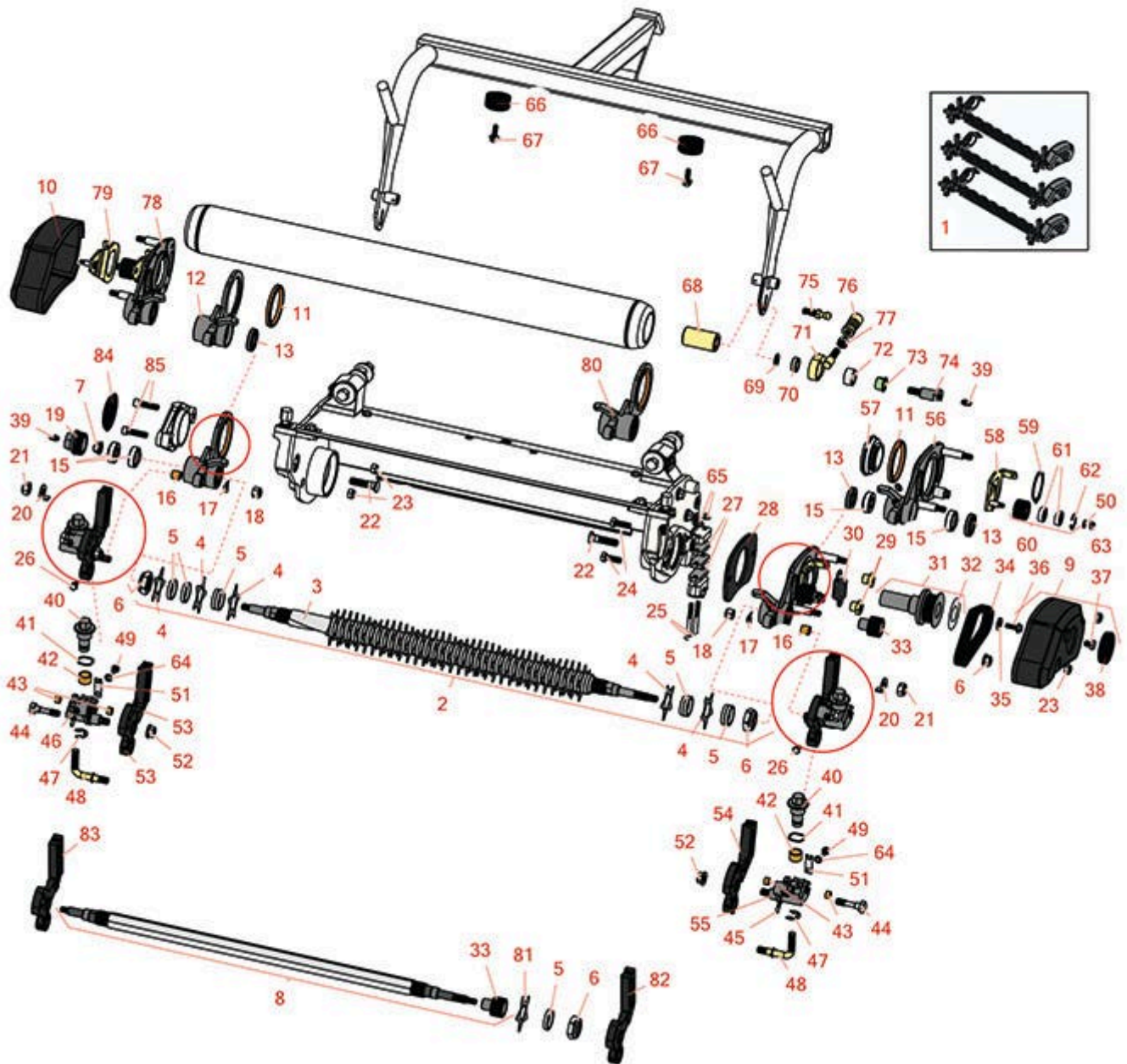




Replaces Toro Greensmaster 3050 Parts

DPA Cutting Unit - Models 04610, 04611 & 04616

Groomer - Model 04634



All original equipment manufacturers names and part numbers are used for identification purposes only, and we are in no way implying that our products are original equipment parts. Prices subject to change without notice.



Replaces Toro Greensmaster 3050 Parts

DPA Cutting Unit - Models 04610, 04611 & 04616
Groomer - Model 04634



Item No	R&R Part No.	OEM Part No.	Description	Qty Req	Order Quantity
---------	--------------	--------------	-------------	---------	----------------

Complete Groomer Kit

1	R04634	04634	Complete Groomer Assy - Set of 3	1	
---	---------------	-------	----------------------------------	---	--

Tech Note: Includes all parts needed for three cutting unit groomers.:

Other Parts Available

2	R117-1507	117-1507	Grooming Reel Assy	1	
---	------------------	----------	--------------------	---	--

Tech Note: W/R110-2333 Blades - Fits Models 04634 & 04635:

3	R115-1770	115-1770	Shaft Assy - Groomer	1	
---	------------------	----------	----------------------	---	--

4	R110-2333	110-2333	Groomer Blade - Helix .028 Thick	42	
---	------------------	----------	----------------------------------	----	--

4	R110-2343	110-2343	Groomer Blade - Carbide Tipped - Helix 1.5mm	42	
---	------------------	----------	--	----	--

5	R70-1350	70-1350	Spacer - 1/4 Fits Groomer Shaft	86	
---	-----------------	---------	---------------------------------	----	--

6	R32127-46	32127-46, 3296-60	Locknut	2	
---	------------------	----------------------	---------	---	--

7	R104-8301	104-8301, 104-9301, 109-6658, 133-7570	Locknut - 3/8-16 Nylon Flanged	2	
---	------------------	---	--------------------------------	---	--

8	R112-9458	106-8508, 112-9458	Shaft Assy w/Pulley - Groomer	1	
---	------------------	-----------------------	-------------------------------	---	--

Tech Note: Fits Models 04630 & 04631 - Hex Shaft:

9	R106-8542	106-8542	LH Drive Cover Assy	1	
---	------------------	----------	---------------------	---	--

10	R106-8541	106-8541	RH Drive Cover Assy	1	
----	------------------	----------	---------------------	---	--

11	R106-8527	106-8527	Bushing	2	
----	------------------	----------	---------	---	--

12	R115-3290	115-3290	RH Support Plate Assy	1	
----	------------------	----------	-----------------------	---	--

Tech Note: Incl: R106-8527 bushing:

All original equipment manufacturers names and part numbers are used for identification purposes only, and we are in no way implying that our products are original equipment parts. Prices subject to change without notice.



Replaces Toro Greensmaster 3050 Parts

DPA Cutting Unit - Models 04610, 04611 & 04616

Groomer - Model 04634



Item No	R&R Part No.	OEM Part No.	Description	Qty Req	Order Quantity
13	R106-8530	106-8530	Seal - Oil	3	
15	R107-8105	106-8520, 107-8105	Bearing-Ball - Extended	4	
16	R256-2	256-2	Bushing - Idler Pulley	2	
17	R3290-301	3290-301	Washer - Spring Wave	2	
18	R3296-5	3296-5	Locknut - 3/8-24 Jam Nylon	2	
19	R106-8529	106-8529	Plug-Cap	1	
20	R115-3282	115-3282	Washer - HOC Bracket	2	
21	R106-4668	106-4668	Locknut - 10mm x 1.5 Top Lock	2	
22	R150647	105-5342	Plow Bolt - HOC - Front Roller	2	
23	R33024-00	33024-00	Locknut - 8mm x 1.25	2	
24	R57-6380	33114-025, 48-9460, 60-4540	Bolt - Hex HD M8-1.25 x 25	2	
25	R117-1511	117-1511	Bolt - Soc HD Cap	4	
26	R48-7610	33113-012, 48-7610	Bolt - Hex HD Nyloc M6 x 12	2	
27	R105-5711	105-5711, 119-4165	Shim - Roller	6	
28	R106-8463	106-8463	Shim-Groomer	1	
29	R105-5770	105-5770	Nut - Shoulder	2	
30	R110-1700	110-1700, 66-4460	Spring-Extension	1	
31	R106-8540	106-8540	Pulley Assy	1	
32	R106-8521	106-8521	Decal-Warning	1	

All original equipment manufacturers names and part numbers are used for identification purposes only, and we are in no way implying that our products are original equipment parts. Prices subject to change without notice.



Replaces Toro Greensmaster 3050 Parts

DPA Cutting Unit - Models 04610, 04611 & 04616

Groomer - Model 04634



Item No	R&R Part No.	OEM Part No.	Description	Qty Req	Order Quantity
33	R115-5219	115-5219	Pulley-Driven, Splined	1	
34	R104-4705	104-4705, 120-2763	Belt - Groomer	1	
35	R105-5769	105-5769	Washer	1	
36	R33103-020	33103-020	Bolt - Hex Washer M6-1.0 x 20	1	
37	R33114-010	33114-010	Bolt - Hex HD M8-1.25 x 10	1	
38	R105-5761	105-5761	Grommet	1	
39	R302-5	21-6010, 302-11, 302-37, 302-47, 302-5, 302-57, 302-58, 302-6, 31-0300, 32-9660, 60-0800, 62-3880, 92-4181	Fitting - Grease	4	
40	R106-8482	106-8482	Adjuster-Groomer	2	
41	R107-8107	106-8490, 107-8107	Washer - Wave	2	
42	R256-42	256-42	Bushing	2	
43	R106-8489	106-8489	Bushing-Sleeve	4	
44	R106-8528	106-8528	Screw - Lock	2	
45	R104-9312	104-9312	Pin - Grooved	2	
46	R106-8535	106-8535	RH Lift Arm Assy	1	
47	R32120-19	32120-19, 32120-81	E-Ring	2	

All original equipment manufacturers names and part numbers are used for identification purposes only, and we are in no way implying that our products are original equipment parts. Prices subject to change without notice.



Replaces Toro Greensmaster 3050 Parts

DPA Cutting Unit - Models 04610, 04611 & 04616

Groomer - Model 04634



Item No	R&R Part No.	OEM Part No.	Description	Qty Req	Order Quantity
48	R115-3291	115-3291	Rod - Lift - Groomer	2	
49	R33113-008	33113-008	Bolt - Hex HD M6-1.0 x 8	2	
50	R43-5930	01-176-0030, 43-5930	Washer - Lock M6	1	
51	R104-4754	104-4754	Spring-Detent	2	
52	R14M7296	104-2611	Nut - 10mm x 1.5 Flanged	2	
53	R115-3286	115-3286	Arm-Groomer, HOC (RH)	1	
54	R114-4646	114-4646	Arm-Groomer, HOC (LH)	1	
55	R106-8536	106-8536	LH Lift Arm Assy	1	
<i>Tech Note: Incl: R106-8489 and R256-42 bushings:</i>					
56	R114-4650	114-4650	Drive Side Plate - LH	1	
57	R106-8471	106-8471	Hub-Pivot	1	
58	R106-8470	106-8470	LH Idler Assy	1	
59	R106-2646	106-2646	Ring - Retaining, Bo	1	
60	R106-2630	106-2630	Idler Bearing Assy	1	
61	R251-259	251-259, 251-307	Bearing - Ball	2	
62	R104-4727	104-4727	Ring - Retaining	1	
63	R33023-00	33023-00, 48-7900, 49-7810	Locknut - ESNA 6mm x 1.0	1	
64	R24M7139	24M7139, 3256-16, 33093-00, 43-5930	Washer - Flat 6mm	1	

All original equipment manufacturers names and part numbers are used for identification purposes only, and we are in no way implying that our products are original equipment parts. Prices subject to change without notice.



Replaces Toro Greensmaster 3050 Parts

DPA Cutting Unit - Models 04610, 04611 & 04616
Groomer - Model 04634



Item No	R&R Part No.	OEM Part No.	Description	Qty Req	Order Quantity
65	R33003-00	33003-00, 65-7980	Hex Nut - Flanged 6-1.0mm	4	
66	R94-4548	94-4548	Rubber Bumper	2	
67	R49-2040	32104-42, 32104-95, 32144-44, 49-2040	Bolt - Hex Washer 1/4-20 x 3/4	2	
68	R88-6830	88-6830	Spacer - Carrier Frame	2	
69	R453011	01-166-0100, 01-166-0120, 01-166-0270, 01-166-0500, 01-166-0600, 01-166-0620, 132-4593, 2356-3, 237-12, 24-10-AD, 24-11-AD, 24-11-BD, 24-12-AD, 24-12-BD, 30-9310, 32-8190, 3256-24, 3256-3, 3256-36, 3256-4, 453011, 47-9950, 48-9220, 513458, 7-0052	Washer - Flat 3/8 SAE Y/Zinc	2	
70	R98-2389	98-2389	Spacer-Link, Pull	2	
71	R100-6440	100-6440, 17-2889, 94-9632, 95-2901	Pull Link - w/Bushing	2	
72	R95-0532	95-0532	Bushing - Pull Link	1	

All original equipment manufacturers names and part numbers are used for identification purposes only, and we are in no way implying that our products are original equipment parts. Prices subject to change without notice.



Replaces Toro Greensmaster 3050 Parts

DPA Cutting Unit - Models 04610, 04611 & 04616

Groomer - Model 04634



Item No	R&R Part No.	OEM Part No.	Description	Qty Req	Order Quantity
73	R256-292	104-7738, 256-292	Bushing - Nyliner Bed Bar	2	
74	R98-1483	98-1483	Screw - Link Pull	2	
75	R94-2958	94-2958	Stud - Alloy Ball Joint	2	
76	R99-1460	2411-28, 2411-29, 2411-30, 2411-8, 8-7710, 94-2959, 99-1460	Receiver - Ball Joint	2	
77	R3220-3	01-191-0624, 3220-3, 3290-149	Nut - Jam Ball Joint	2	
78	R115-3309	115-3309	Drive Side Plate - RH	1	
79	R106-8468	106-8468	RH Idler Assy	1	
80	R115-3311	115-3311	LH Support Plate Assy	1	
81	R95-5719	95-5719	Blade - Groomer	41	
82	R106-8513	106-8513	Arm-Groomer, HOC (LH)	1	
84	R150485	2410-30, 2410-30OSS	Cap - Protective Bearing Housing	1	
83	R106-8511	106-8511	Arm-Groomer, HOC (RH)	1	
85	R94-3559	94-3559	Screw - Hex Socket Head	2	

All original equipment manufacturers names and part numbers are used for identification purposes only, and we are in no way implying that our products are original equipment parts. Prices subject to change without notice.