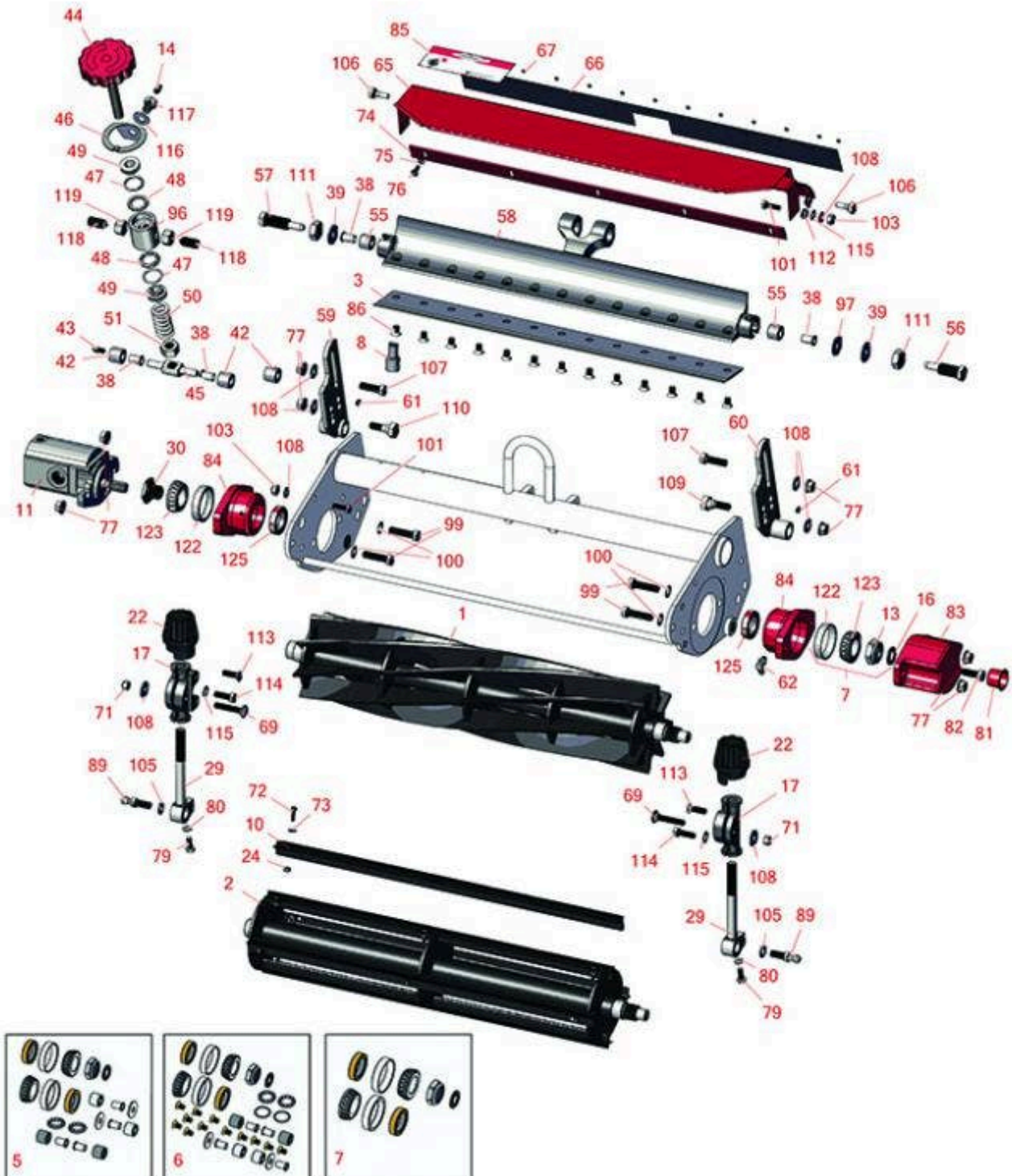




# Replaces Toro Greensmaster 3050 Parts

SPA Cutting Unit - Models 04445  
Reel & Bedknife



All original equipment manufacturers names and part numbers are used for identification purposes only, and we are in no way implying that our products are original equipment parts. Prices subject to change without notice.



# Replaces Toro Greensmaster 3050 Parts

SPA Cutting Unit - Models 04445

Reel & Bedknife



Item No	R&R Part No.	OEM Part No.	Description	Qty Req	Order Quantity
<b>R&amp;R Reels, Lifetime Guaranteed</b>					
1	<b>R150760</b>		Reel - 14 Blade	1	
1	<b>R12-2789</b>	12-2789, 130-6470	Reel - 11 Blade	1	
1	<b>R5-3195</b>	5-3195	Reel - 9 Blade	1	
1	<b>R5-3189</b>	12-3599, 130-6469, 5-3189	Reel - 8 Blade	1	
1	<b>R5-3189H</b>		Reel - 8 Blade Heavy Duty	1	
1	<b>R5-3206</b>	5-3206	Reel - 6 Blade	1	
1	<b>R5-3205</b>	12-0729, 12-8779, 5-3205	Reel - 5 Blade	1	
1	<b>R14-0659</b>	14-0659, 57-5300	Reel - 5 Blade Heavy Duty	1	
1	<b>R5-3200</b>	5-3200	Reel - 4 Blade	1	
2	<b>R150480</b>		Brush Reel	1	
<b>R&amp;R Bedknives, Lifetime Guaranteed</b>					
3	<b>R150466</b>	63-8600, 64-6393, 94-6393	Bedknife - Super Thick .312 - 1.00 HOC	1	
3	<b>R150462</b>	63-8610, 94-6396	Bedknife - 7 Hole Thick 5/16	1	
3	<b>R94-6396</b>	10-4900, 54-9150, 94-6396, Oct-00	Bedknife - High Cut 5/16"-1" HOC	1	
3	<b>R94-6392</b>	62-2500, 94-6392	Bedknife - High Cut .312 - 1.00 HOC	1	

All original equipment manufacturers names and part numbers are used for identification purposes only, and we are in no way implying that our products are original equipment parts. Prices subject to change without notice.



# Replaces Toro Greensmaster 3050 Parts

SPA Cutting Unit - Models 04445  
Reel & Bedknife



Item No	R&R Part No.	OEM Part No.	Description	Qty Req	Order Quantity
3	<b>R93-4264</b>	57-4960, 63-8470, 93-4264	Bedknife - Low Cut .187 - 1.00 HOC	1	
3	<b>R93-4263</b>	63-8560, 66-9320, 93-4263, 93-6039	Bedknife - Tournament Cut .125 - .500 HOC	1	
3	<b>R93-4262</b>	65-8250, 93-4262, 93-4263	Bedknife - Micro Cut .062 - .187 HOC	1	

## R&R Razor Tool Steel Bedknives, Lifetime Guaranteed

2	<b>R115-1881</b>	115-1881	Bedknife - Razor Tool Steel - 21 Tournament Cut .125 - .500 HOC	1	
---	------------------	----------	---	---	--

*Tech Note: Razor Tool Steel Bedknives are constructed from high grade tool steel for extended life and optimum cut.:*

2	<b>R115-1880</b>	115-1880	Bedknife - Razor Tool Steel - 21 Micro Cut .062 - .187 HOC	1	
---	------------------	----------	--	---	--

*Tech Note: Razor Tool Steel Bedknives are constructed from high grade tool steel for extended life and optimum cut.:*

## Overhaul Kits & Service Tools

5	<b>R255-310</b>	255-310	Overhaul Kit - Cutting Unit	0	
---	-----------------	---------	-----------------------------	---	--

*Tech Note: Includes 4 ea: R52-2890 Bushings; 2 ea: R237-77 O-Rings, R253-96 Seals, R254-72 Cups, R254-94 Bearings, R52-2900 Washers, R57-5280 Bearings, R62-5510 Bushings, R63-9510 Bushings; 1 ea: R253-61 Seal & R32127-46 Locknut:*

6	<b>R13-3659</b>	13-3659	Overhaul Kit - Cutting Unit	0	
---	-----------------	---------	-----------------------------	---	--

*Tech Note: Includes 13 ea.:R150477 Screws; 4 ea.: R52-2890 Bushings; 2 ea.: R237-77 O-rings, R253-96 Seals, R254-72 Bearing Cups, R254-94 Bearings, R52-2900 Washers, R57-5280 Bearings, R62-5510 Bushings, R63-9510 Bushings; 1 ea.: R253-61 Seal & R32127-46 Locknut:*

7	<b>R107-1590</b>	107-1590	Overhaul Kit - Cutting Unit	0	
---	------------------	----------	-----------------------------	---	--

*Tech Note: Includes 2 ea.: R253-96 Seals, R254-72 Bearing Cups, R254-94 Bearings; 1 ea.: R253-61 Seal & R32127-46 Locknut:*

All original equipment manufacturers names and part numbers are used for identification purposes only, and we are in no way implying that our products are original equipment parts. Prices subject to change without notice.



# Replaces Toro Greensmaster 3050 Parts

SPA Cutting Unit - Models 04445  
Reel & Bedknife



Item No	R&R Part No.	OEM Part No.	Description	Qty Req	Order Quantity
8	<b>R51-0880</b>	51-0880	Bedknife Screw Driver Tool	0	

## Other Parts Available

10	<b>R150481</b>		Brush Assy - Brush Reel	4	
11	<b>R120-2072</b>	100-6426, 108-6487, 112-9200, 120-2072, 93-1375	Hydraulic Gear Motor	1	

*Tech Note: Fits Models 3150 & 3250-D:*

11	<b>R105-9770</b>	10-5090, 105-9770, 26-5690, 70-9800, 94-3506, 94-3507	Hydraulic Motor - Reel Quick Release	1	
----	------------------	--	--------------------------------------	---	--

*Tech Note: Fits Models 3000, 3050 & 3100:*

13	<b>R32127-46</b>	32127-46, 3296-60	Locknut	1	
14	<b>R302-5</b>	21-6010, 302-11, 302-37, 302-47, 302-5, 302-57, 302-58, 302-6, 31-0300, 32-9660, 60-0800, 62-3880, 92-4181	Fitting - Grease	6	
16	<b>R253-61</b>	253-61	Seal - Oil Reel	1	
17	<b>R10-5060</b>	10-5060	Bracket - Roller Adj	2	

All original equipment manufacturers names and part numbers are used for identification purposes only, and we are in no way implying that our products are original equipment parts. Prices subject to change without notice.



# Replaces Toro Greensmaster 3050 Parts

SPA Cutting Unit - Models 04445  
Reel & Bedknife



Item No	R&R Part No.	OEM Part No.	Description	Qty Req	Order Quantity
22	<b>R65-8600</b>	10-5040, 65-8600	Knob - Height Adjusting	2	
24	<b>R3296-9</b>	32127-17, 3296-9	Locknut - Comb	12	
29	<b>R10-5010</b>	10-5010	Screw - Roller Adjustment	2	
30	<b>R10-5100</b>	10-5100	Nut - Splined 1-1/8 Long	1	
30	<b>R93-1394</b>	93-1394	Nut - Splined RH Thrd .812 Long	1	
30	<b>R77-0560</b>	77-0560	Nut - Splined Fits Groomer	1	
38	<b>R52-2890</b>	52-2890	Bushing - Flanged	4	
39	<b>R52-2900</b>	52-2900	Washer - Nylon	2	
42	<b>R62-5510</b>	52-2870, 62-5510	Bushing	4	
43	<b>R302-18</b>	302-18	Zerk - Grease Press Style	2	
44	<b>R57-4870</b>	57-4870	Handle - Adjusting Fits GM3M	1	
45	<b>R57-5260</b>	107-7409, 57-5260	Pivot - 1/2-20 - Bed Bar	1	
46	<b>R52-3000</b>	52-3000	Arm - Spring	1	
47	<b>R237-77</b>	237-77	O-Ring	2	
48	<b>R57-5280</b>	57-5280	Bearing - Adjusting Handle	2	
49	<b>R57-5290</b>	57-5290	Support - Thrust Bearing Fits 3M	2	
50	<b>R57-5270</b>	57-5270	Spring - Adjusting Handle	1	
51	<b>R3296-62</b>	3296-62	Locknut - 1/2-20 LH Jam	1	
55	<b>R63-9510</b>	63-9480, 63-9510	Bushing - Rubber For Bed Bar	2	

All original equipment manufacturers names and part numbers are used for identification purposes only, and we are in no way implying that our products are original equipment parts. Prices subject to change without notice.



# Replaces Toro Greensmaster 3050 Parts

SPA Cutting Unit - Models 04445  
Reel & Bedknife



Item No	R&R Part No.	OEM Part No.	Description	Qty Req	Order Quantity
56	<b>R52-2910</b>	52-2910	Bolt - Eccentric Bed Bar	1	
57	<b>R52-2930</b>	52-2930	Bolt - Bed Bar	1	
58	<b>R57-4940</b>	52-2780, 57-4940, 57-4940-01	Bed Bar - 13 Hole	1	
59	<b>R52-3060</b>	52-3060, 77-1060, 99-5653	Bracket - RH Rear Roller	1	
60	<b>R52-3090</b>	52-3090, 77-1080, 99-5654	Bracket - LH Rear Roller	1	
61	<b>R3290-125</b>	3290-125	Screw - Set 1/4-20 x 5/16	2	
62	<b>R302-40</b>	302-13, 302-40	Fitting - Grease	1	
65	<b>R57-5200</b>	57-5200	Shield - Grass	1	
66	<b>R57-5210</b>	57-5210	Deflector - Styrene	1	
67	<b>R3295-46</b>	3295-46	Tube - Rivet Smi Grass Shield	13	
69	<b>R441674</b>	01-173-0514, 01-173-0516, 3-7253, 3230-5	Screw - 5/16-18 x 1-3/4 Carriage	2	
71	<b>R32153-3</b>	119-4038, 22-12-AJFD, 32127-35, 32146-5, 32153-3, 3296-18, 3296-29, 3296-31, N/A	Locknut - 5/16-18 ESNA Zinc	2	
72	<b>R150425</b>		Bolt - Hex HD 8-32 x 5/8	12	
73	<b>R150426</b>	3256-21	Washer - 8 SAE	12	

All original equipment manufacturers names and part numbers are used for identification purposes only, and we are in no way implying that our products are original equipment parts. Prices subject to change without notice.



# Replaces Toro Greensmaster 3050 Parts

SPA Cutting Unit - Models 04445  
Reel & Bedknife



Item No	R&R Part No.	OEM Part No.	Description	Qty Req	Order Quantity
74	<b>R36-7260</b>	36-7260	Bar - Cut Off Grass Shield	1	
75	<b>R3256-14</b>	24-7-BD, 32125-2, 3256-14, 3256-51, 51-2170	Washer - 10 Flat	5	
76	<b>R32144-73</b>	104-2065, 32144-73	Screw - Machine Hex Washer Head	5	
77	<b>R3296-39</b>	32127-25, 32128-36, 3290-357, 3296-17, 3296-22, 3296-39, 915663P, 99-7443	Locknut - 3/8-16 Nylon	8	
79	<b>R321-4</b>	01-150-1030, 01-178-0406, 20-3-AGD, 321-4, 3222-1	Bolt - Hex HD 1/4-20 x 3/4	4	
80	<b>R3253-3</b>	01-166-0070, 01-166-0410, 23-9-GD, 24-7150, 3253-3, 3256-1, 352-167	Washer - Lock 1/4	4	
81	<b>R12-0460</b>	12-0460	Caplug - End Cap	1	
82	<b>R323-2</b>	01-178-0604, 323-2	Bolt - Hex HD 3/8-16 x 1	1	
83	<b>R10-5080</b>	10-5080, 10-5080-01	End - Cap Reel Brg Housing	1	
84	<b>R10-5120</b>	10-5120	Housing - Bearing Reel	2	

*Tech Note: Includes R253-96 & R254-72:*

All original equipment manufacturers names and part numbers are used for identification purposes only, and we are in no way implying that our products are original equipment parts. Prices subject to change without notice.



# Replaces Toro Greensmaster 3050 Parts

SPA Cutting Unit - Models 04445

Reel & Bedknife



Item No	R&R Part No.	OEM Part No.	Description	Qty Req	Order Quantity
85	<b>R354083</b>	104-7729, 354083	Decal - Danger	1	
86	<b>R119-4151</b>	119-4151	Screw - Bedknife 5/16-18 x 17/32	13	
86	<b>R150477</b>	57-4910	Screw - Bedknife 5/16-18 x 1/2	13	
86	<b>R150476</b>	3-3816, 3-6462, 52-4910, 57-4910	Screw - Bedknife 5/16-18 x 5/8	13	
89	<b>R94-2958</b>	94-2958	Stud - Alloy Ball Joint	2	
96	<b>R57-5250</b>	57-5250	Housing - Pivot Spa	1	
97	<b>R52-2860</b>	119-4150, 52-2860	Washer - Bed Bar Pivot	1	
99	<b>R323-53</b>	323-53, 57-3210	Bolt - Hex HD 3/8-16 x 1-3/4	4	
100	<b>R3255-9</b>	3255-9	Washer - Lock 3/8 Ext. Star	4	
101	<b>R321-5</b>	321-31, 321-5	Bolt - Hex HD 1/4-20 x 7/8	2	
105	<b>R3254-6</b>	01-166-0010, 01-166-0280, 01-166-0610, 3253-5, 3254-18, 3254-6, 3290-223, 48-9370	Washer - Lock 3/8	2	
106	<b>R57-9910</b>	57-9910	Bolt - Pivot	2	

All original equipment manufacturers names and part numbers are used for identification purposes only, and we are in no way implying that our products are original equipment parts. Prices subject to change without notice.





# Replaces Toro Greensmaster 3050 Parts

SPA Cutting Unit - Models 04445

Reel & Bedknife



Item No	R&R Part No.	OEM Part No.	Description	Qty Req	Order Quantity
107	<b>R400264</b>	01-150-0180, 01-178-0610, 20-48-AD, 20-48-AGD, 32-9160, 3224-3, 323-29, 323-7, 400264, 908035P	Bolt - Hex HD 3/8-16 x 1-1/4	2	
108	<b>R453011</b>	01-166-0100, 01-166-0120, 01-166-0270, 01-166-0500, 01-166-0600, 01-166-0620, 132-4593, 2356-3, 237-12, 24-10-AD, 24-11-AD, 24-11-BD, 24-12-AD, 24-12-BD, 30-9310, 32-8190, 3256-24, 3256-3, 3256-36, 3256-4, 453011, 47-9950, 48-9220, 513458, 7-0052	Washer - Flat 3/8 SAE Y/Zinc	4	
109	<b>R52-3100</b>	52-3100	Bolt - Eccentric Shoulder LH	1	
110	<b>R52-3110</b>	52-3110	Bolt - Shoulder HOC RH	1	
111	<b>R443828</b>	01-191-1018, 3214, 3220-6, 443828, 915089P	Nut - 5/8-18 Hex	2	

All original equipment manufacturers names and part numbers are used for identification purposes only, and we are in no way implying that our products are original equipment parts. Prices subject to change without notice.



# Replaces Toro Greensmaster 3050 Parts

SPA Cutting Unit - Models 04445

Reel & Bedknife



Item No	R&R Part No.	OEM Part No.	Description	Qty Req	Order Quantity
112	<b>R237-84</b>	237-84	Grommet - Rubber	2	
113	<b>R32108-20</b>	32108-20	Screw - Flat HD Cntrsunk	2	
114	<b>R322-5</b>	01-178-0508, 20-26-AD, 20-26-AGD, 30-9000, 322-5, 513341, 519755, 908019P, N/A	Bolt - Hex HD 5/16-18 x 1	2	
115	<b>R3255-8</b>	3255-8	Washer - Lock 5/16 Ext	2	
116	<b>R187-0</b>	3256-25, 7-0032	Washer - Flat 7/16 SAE	1	
117	<b>R52-2990</b>	324-25, 52-2990	Bolt - Spring Retainer	1	
118	<b>R57-5190</b>	32110-19, 57-5190	Screw - Adjusting	2	
119	<b>R443818</b>	01-191-0813, 3218-18, 3218-5, 3248-18	Nut - 1/2-13 Hex Jam Zinc	2	
122	<b>R254-72</b>	01-103-0050, 01-103-0120, 01-103-0140, 1-543508, 254-71, 254-72, 40439, 62-3340, 99-4511	Cup - Bearing	2	

All original equipment manufacturers names and part numbers are used for identification purposes only, and we are in no way implying that our products are original equipment parts. Prices subject to change without notice.



# Replaces Toro Greensmaster 3050 Parts

SPA Cutting Unit - Models 04445  
Reel & Bedknife



Item No	R&R Part No.	OEM Part No.	Description	Qty Req	Order Quantity
123	<b>R254-94</b>	1-543509, 254-94, 32-8090, 32-8240, 32-9640, 40440, 62-3330	Tapered Bearing Cone	2	
125	<b>R253-96</b>	253-96	Seal - Oil Single Lip Reel	2	

All original equipment manufacturers names and part numbers are used for identification purposes only, and we are in no way implying that our products are original equipment parts. Prices subject to change without notice.