

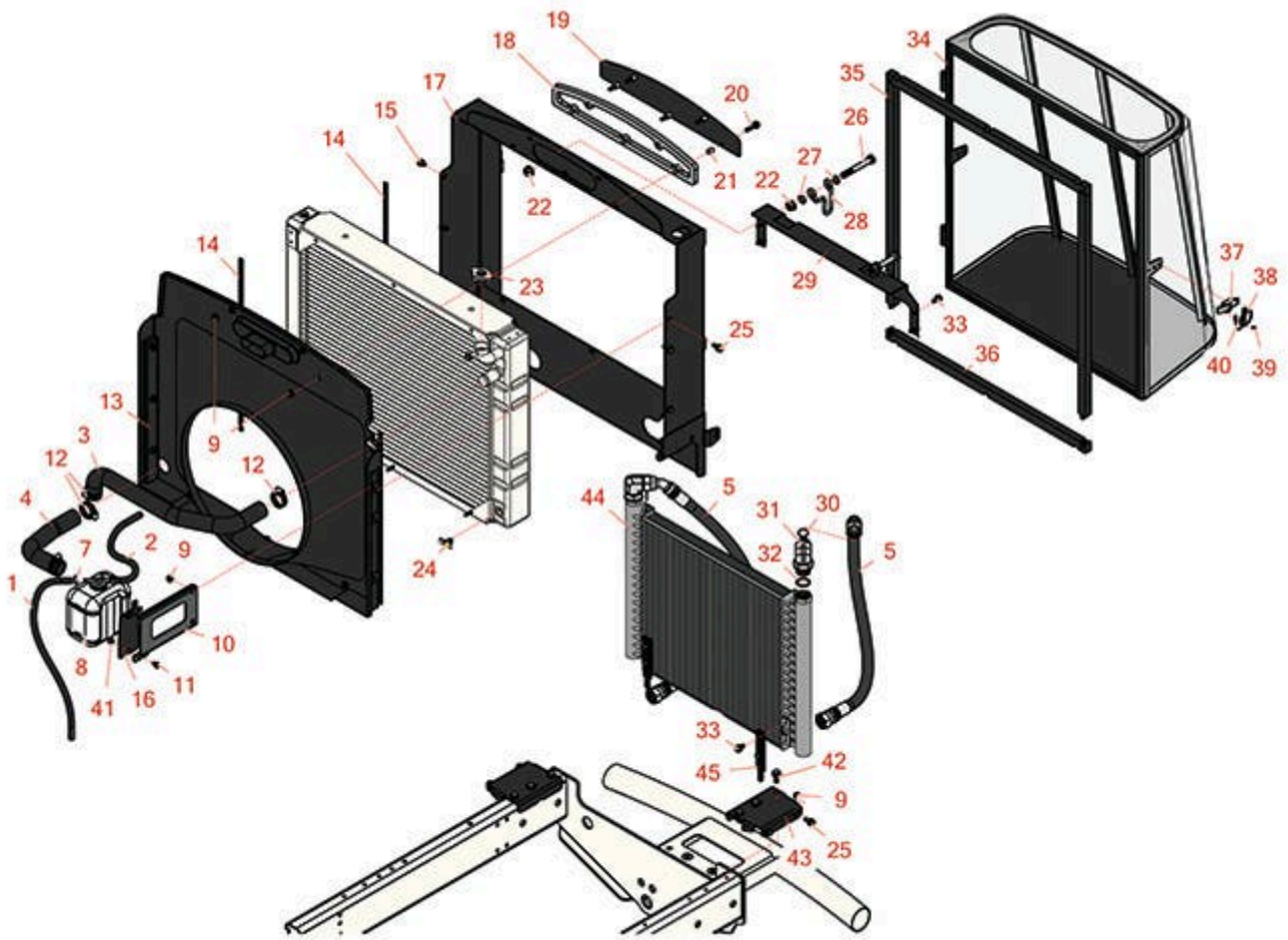


Replaces R&R Products Reel Max 744LP

Parts

Traction Unit

Radiator and Oil Cooler



All original equipment manufacturers names and part numbers are used for identification purposes only, and we are in no way implying that our products are original equipment parts. Prices subject to change without notice.



Replaces R&R Products Reel Max 744LP

Parts

Traction Unit

Radiator and Oil Cooler



| Item No | R&R Part No. | OEM Part No. | Description | Qty Req | Order Quantity |
|------------------------------|---------------------|--|---|---------|----------------|
| Hoses | | | | | |
| 1 | R110-3257 | R63-7630 | Hose-Fuel | 1 | |
| 2 | R110-4104 | R27-5340 | Hose-Fuel | 1 | |
| 3 | R110-8942 | | Hose-Formed | 1 | |
| 4 | R110-8943 | | Hose-Formed | 1 | |
| 5 | R150975 | | Hydraulic Hose Assy | 2 | |
| Other Parts Available | | | | | |
| 7 | R92-2379 | | Clamp - Hose | 3 | |
| 8 | RX1G64272400 | R104-9318, R105-3753, R98-9323, R98-9397 | Kubota Tank - Reserve Assy | 1 | |
| 9 | R104-8300 | R119-4041 | Locknut - 5/16-18 Flanged Y/Zinc | 18 | |
| 10 | R108-1666-03 | | Bracket-Reservoir | 1 | |
| 11 | R3234-13 | R960151P | Bolt - Flanged Hex 1/4-20 | 1 | |
| 12 | R2412-129 | R94-3188, R94-3189, R94-3193, R94-3203, R94-3204 | Clamp - Worm 9/16-1 1/4 | 4 | |
| 13 | R110-5311 | | Shroud - Radiator | 1 | |
| 14 | R110-8953 | | Seal - Foam - 18 in | 4 | |
| 15 | R3234-30 | | Bolt - Whiz Flange Hex HD 5/16-18 x 1/2 | 3 | |
| 16 | R108-1665-03 | | Bracket-Reservior | 1 | |
| 17 | R110-5251-03 | | Frame-Radiator | 1 | |

All original equipment manufacturers names and part numbers are used for identification purposes only, and we are in no way implying that our products are original equipment parts. Prices subject to change without notice.



Replaces R&R Products Reel Max 744LP

Parts

Traction Unit

Radiator and Oil Cooler



| Item No | R&R Part No. | OEM Part No. | Description | Qty Req | Order Quantity |
|---------|---------------------|---|-------------------------------------|---------|----------------|
| 18 | R110-5324 | | Seal-Foam | 1 | |
| 19 | R108-1843-03 | | Screen-Intake, Air | 1 | |
| 20 | R3234-36 | | Bolt - 5/16-18 x 1 1/4 Hx HD Flange | 5 | |
| 21 | R1-603903 | | Spacer | 5 | |
| 22 | R32128-49 | | Nut - 1/2-13 Hex Flange | 4 | |
| 23 | R93-5957 | | Cap - Radiator | 1 | |
| 24 | R304-46 | | Draincock | 1 | |
| 25 | R3234-5 | R62-3310 | Bolt - 5/16-18x3/4 Hx Ser Was HD | 6 | |
| 26 | R325-17 | R01-150-0640, R01-150-0850, R01-178-0832, R01-178-0836, R20-97-AGD, R325-18, R48-9260 | Bolt - Hex Head | 2 | |
| 27 | R455012 | R41-8440 | Washer - Flat 1/2 x 3/4 | 4 | |
| 28 | R104-5429 | | Clamp - Form, Wire | 2 | |
| 29 | R104-5428 | R104-5428-03 | Bracket-Oil Cooler | 1 | |
| 30 | R237-58 | | O-Ring | 2 | |
| 31 | R340-142 | R95-1692 | Hydraulic Fitting - 90 Deg | 2 | |
| 32 | R237-146 | R340-146 | O-Ring | 2 | |
| 33 | R3234-14 | R3234-23 | Bolt - Hex Serrated Washer HD | 8 | |
| 34 | R110-5269-03 | | Screen Assy | 1 | |
| 35 | R110-5275 | | Seal-Foam-Radiator | 2 | |
| 36 | R110-5276 | | Seal-Foam-Radiator | 2 | |

All original equipment manufacturers names and part numbers are used for identification purposes only, and we are in no way implying that our products are original equipment parts. Prices subject to change without notice.



Replaces R&R Products Reel Max 744LP Parts

*Traction Unit
Radiator and Oil Cooler*



| Item No | R&R Part No. | OEM Part No. | Description | Qty Req | Order Quantity |
|---------|---------------------|--|---------------------------------|---------|----------------|
| 37 | R115-1554 | R105-3912 | Latch-Draw | 1 | |
| 38 | R150977 | | Pin - 5/16 Lynch | 1 | |
| 39 | R3269-4 | R3269-3 | Rivet - Rear Deflector | 3 | |
| 40 | RP25266 | | Hinge Teather - 6in Stainless | 1 | |
| 41 | R301504 | R32127-24, R32146-17, R3296-16, R3296-42, R915661P, RM40333 | Locknut - ESNA 1/4-20 | 1 | |
| 42 | R32144-14 | R32104-32, R32104-49 | Bolt - Hex Washer 5/16-18 x 5/8 | 6 | |
| 43 | R110-5310B | | Bracket -Mounting - Black | 2 | |
| 44 | R150955 | R110-0485 | Cooler - Hydraulic Oil | 1 | |
| 45 | R104-5460-03 | | Plate-Mount, Oil Cooler | 2 | |

All original equipment manufacturers names and part numbers are used for identification purposes only, and we are in no way implying that our products are original equipment parts. Prices subject to change without notice.