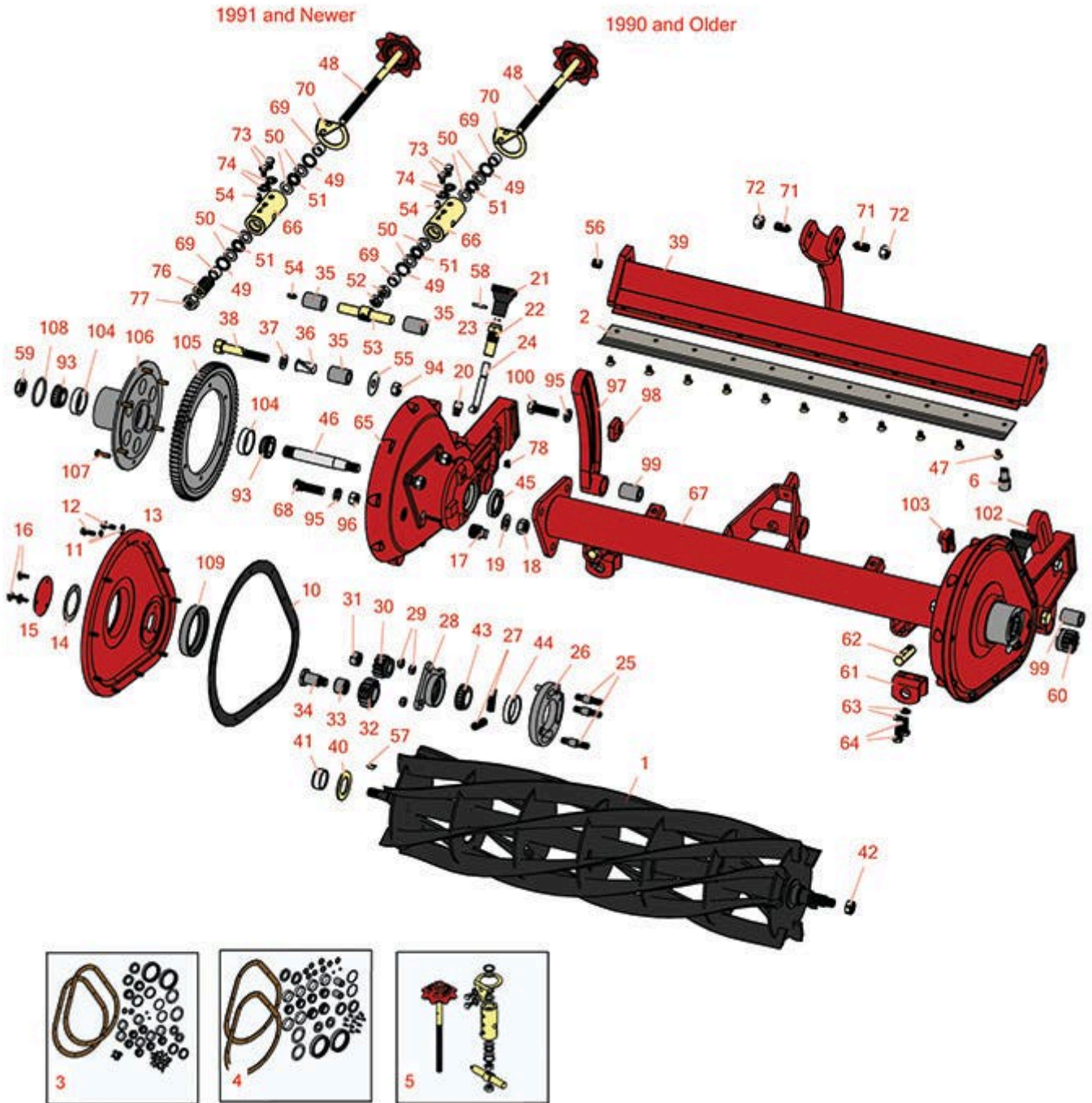




# Replaces Toro Reelmaster Fairway

## Parts

Cutting Unit  
Reel & Bedknife



All original equipment manufacturers names and part numbers are used for identification purposes only, and we are in no way implying that our products are original equipment parts. Prices subject to change without notice.



# Replaces Toro Reelmaster Fairway

## Parts

Cutting Unit  
Reel & Bedknife



Item No	R&R Part No.	OEM Part No.	Description	Qty Req	Order Quantity
---------	--------------	--------------	-------------	---------	----------------

### R&R Reels, Lifetime Guaranteed

1	<b>R11-6869</b>	11-6869	Reel - 5 Blade	1	
1	<b>R11-6879</b>	11-6879	Reel - 7 Blade	1	
1	<b>R11-5119</b>	11-5119, 47-4220	Reel - 11 Blade	1	

### R&R Bedknives, Lifetime Guaranteed

2	<b>R150458</b>	47-6680	Bedknife - Low Cut	1	
2	<b>R49-7660</b>	49-7660	Bedknife - High Cut	1	

### Overhaul Kits & Service Tools

3	<b>R255-200</b>		Overhaul Kit - Cutting Unit	0	
<i>Tech Note: Includes 20 ea.: R11-9760 Screws, R3254-17 Lockwashers; 6 ea.: R11-8960 Screws, R254-78 Bearings, R254-79 Bearing Cups; 2 ea.: R237-21 O-rings, R237-38 O-rings, R253-101 Seals, R253-117 Seals, R253-122 Seals, R253-146 Seals, R254... &lt;Click Part# for more&gt;:</i>					

4	<b>R13-3629</b>	13-3629	Overhaul Kit - Cutting Unit	0	
<i>Tech Note: Includes 11 ea.: R150476 Screws; 4 ea.: R254-78 Bearings, R254-79 Bearing Cups, R257-5 Thrust Washers; 2 ea.: R19-9750 Bushings, R237-21 O-rings, R237-38 O-rings, R253-101 Seals, R253-117 Seals, R253-122 Seals, R253-146 Seals, R2... &lt;Click Part# for more&gt;:</i>					

5	<b>R255-201</b>		Overhaul Kit - Micro Adjustment	0	
<i>Tech Note: Includes 4 ea.: R257-5 Washers, 2 ea: R19-9750 Bushings, R253-84 Seals, R257-6 Bearings, R322-1 Bolts, R3220-12 Nuts, R3290-244 Washers, R47-4420 Spacers; 1 ea: R47-4300 Handle, R47-4400 Arm, R47-4410 Retainer, R47-4420 Spacer &amp; R47-4510 Shaft:</i>					

6	<b>R51-0880</b>	51-0880	Bedknife Screw Driver Tool	0	
---	-----------------	---------	----------------------------	---	--

### Other Parts Available

10	<b>R3-5002</b>	106-5409, 3-5002, Mar-97	Gasket - Cork Fits Side Case	2	
11	<b>R3254-17</b>	3254-17	Lockwasher - 1/4 Int/Ext Star Z	20	

All original equipment manufacturers names and part numbers are used for identification purposes only, and we are in no way implying that our products are original equipment parts. Prices subject to change without notice.



# Replaces Toro Reelmaster Fairway

## Parts

*Cutting Unit  
Reel & Bedknife*



Item No	R&R Part No.	OEM Part No.	Description	Qty Req	Order Quantity
12	<b>R11-9760</b>	11-9760	Screw - Hex Washer HD.	20	
13	<b>R47-4060</b>	3-5430, 3-5440, 47-4060, 47-4060-01	Cover - Gear Housing	2	
14	<b>R5-1458</b>	106-5408, 5-1458	Gasket - Insp Plate	2	
15	<b>R5-1460</b>	5-1460	Cover - Inspection Plate	2	
16	<b>R11-8960</b>	11-8960	Screw - w/Washer/Neoprene	6	
17	<b>R281-3</b>	281-3, 30-1090, 58-7250	Plug - Pipe 1/2	2	
18	<b>R3219-10</b>	3219-10	Nut - 9/16-18 Hex	2	
19	<b>R3256-15</b>	3256-15	Washer - Flat 9/16 Plain USS	2	
20	<b>R302-14</b>	302-14	Fitting - Relief	2	
21	<b>R5-1464</b>	5-1464, 5-1464-03	Handle - Throwout	2	
22	<b>R3-3892</b>	3-3892, Nov-30	Sleeve - Throwout	2	
23	<b>R237-21</b>	237-21, 327-21	O-Ring	2	
24	<b>R3-3891</b>	3-3891	Finger - Throwout LH	1	
24	<b>R3-3904</b>	3-3904	Finger - Throwout RH	1	
25	<b>R3-7445</b>	3-7445	Stud	6	
26	<b>R3-4160</b>	3-4160	Ring - Carrier LH	1	
26	<b>R3-4170</b>	3-4170	Ring - Carrier RH	1	
27	<b>R3-3251</b>	3-3251	Spring	4	

All original equipment manufacturers names and part numbers are used for identification purposes only, and we are in no way implying that our products are original equipment parts. Prices subject to change without notice.



# Replaces Toro Reelmaster Fairway

## Parts

Cutting Unit  
Reel & Bedknife



Item No	R&R Part No.	OEM Part No.	Description	Qty Req	Order Quantity
28	<b>R47-4470</b>	47-4470	Retainer - Ratchet Ring	1	
28	<b>R47-4480</b>	47-4480	Retainer - Ratchet Ring	1	
29	<b>R3296-6</b>	01-192-0280, 32118-2, 32127-14, 32127-15, 32146-12, 32146-6, 3296-32, 3296-6	Locknut - 3/8-24 ESNA	6	
30	<b>R5-1463</b>	5-1463, 5-1483	Gear - Pinion	1	
31	<b>R3-8386</b>	3-8386	Nut - Lefthand Thread	1	
32	<b>R12-1190</b>	12-1190	Gear - Ratchet	2	
33	<b>R252-6</b>	252-6	Bearing - Pinion Gear	2	
34	<b>R3-9116</b>	3-9116	Stud - Ratchet Gear RH Thrd	1	
34	<b>R3-9117</b>	3-9117	Stud - Ratchet Gear LH Thrd	1	
35	<b>R19-9750</b>	19-9750, 68-7530	Bushing	3	
36	<b>R47-4430</b>	47-4430	Bushing - Flanged	2	
37	<b>R47-5640</b>	47-5640	Spacer - Rubber	2	
38	<b>R47-4450</b>	47-4450	Bolt - Shoulder	1	
38	<b>R47-4460</b>	47-4460	Bolt - Shoulder Eccentric	1	
39	<b>R47-4080</b>	47-4080, 47-4080-01	Backing Bar - Bed Knife	1	
40	<b>R47-4260</b>	47-4260	Slinger - Grass	2	
41	<b>R47-4250</b>	47-4250	Sleeve - Wear Reel	2	

All original equipment manufacturers names and part numbers are used for identification purposes only, and we are in no way implying that our products are original equipment parts. Prices subject to change without notice.



# Replaces Toro Reelmaster Fairway

## Parts

*Cutting Unit  
Reel & Bedknife*



Item No	R&R Part No.	OEM Part No.	Description	Qty Req	Order Quantity
42	<b>R3296-57</b>	3296-57	Locknut - Nylon Zinc Jam	1	
43	<b>R254-94</b>	1-543509, 254-94, 32-8090, 32-8240, 32-9640, 40440, 62-3330	Tapered Bearing Cone	2	
44	<b>R254-72</b>	01-103-0050, 01-103-0120, 01-103-0140, 1-543508, 254-71, 254-72, 40439, 62-3340, 99-4511	Cup - Bearing	2	
45	<b>R253-146</b>	105-0150, 253-143, 253-146, 253-153	Seal	2	
46	<b>R49-4100</b>	49-4100	Shaft - Stub Axle	2	
47	<b>R150475</b>	3-6462, 3-6642	Screw - Bedknife Stainless 5/16-18 x 5/8	11	
47	<b>R150476</b>	3-3816, 3-6462, 52-4910, 57-4910	Screw - Bedknife 5/16-18 x 5/8	11	
48	<b>R47-4300</b>	47-4300, 47-4300-01, 47-4310, Aug-00	Handle - Adjusting	1	
49	<b>R253-84</b>	253-84, 7-0044	Seal - Micro Adj.	2	
50	<b>R257-5</b>	257-5	Washer - Thrust	4	

All original equipment manufacturers names and part numbers are used for identification purposes only, and we are in no way implying that our products are original equipment parts. Prices subject to change without notice.



# Replaces Toro Reelmaster Fairway

## Parts

Cutting Unit  
Reel & Bedknife



Item No	R&R Part No.	OEM Part No.	Description	Qty Req	Order Quantity
51	<b>R257-6</b>	257-6	Bearing - Thrust	2	
52	<b>R3220-12</b>	3220-12	Nut - 1/2-20 LH Jam Hex	2	
53	<b>R47-4510</b>	47-4510	Shaft - Adjusting	1	
54	<b>R302-5</b>	21-6010, 302-11, 302-37, 302-47, 302-5, 302-57, 302-58, 302-6, 31-0300, 32-9660, 60-0800, 62-3880, 92-4181	Fitting - Grease	2	
55	<b>R47-4440</b>	47-4440	Washer - Nylon	2	
56	<b>R32148-5</b>	32148-5	Insert - Threaded	2	
57	<b>R3257-3</b>	3257-3	Key - Woodruff	1	
58	<b>R3283-1</b>	3283-1	Pin - Drive Lock	2	
59	<b>R3296-15</b>	116-7306, 32118-5, 32127-23, 32127-47, 3296-15	Locknut - 3/4-16 Nylon Jam	2	
60	<b>R47-4490</b>	47-4490	Gear - Splined Pinion LH	1	
61	<b>R37-3490</b>	37-3490, 37-3490-01	Bracket - Drawbar	2	
62	<b>R47-4530</b>	47-4530	Retainer - Drawbar	2	
63	<b>R3253-21</b>	215-51, 30-8470, 3253-21, Jul-12	Washer - Lock 3/8	2	

All original equipment manufacturers names and part numbers are used for identification purposes only, and we are in no way implying that our products are original equipment parts. Prices subject to change without notice.



# Replaces Toro Reelmaster Fairway

## Parts

Cutting Unit  
Reel & Bedknife



Item No	R&R Part No.	OEM Part No.	Description	Qty Req	Order Quantity
64	<b>R323-6</b>	01-150-0010, 01-178-0608, 20-47-AD, 20-47-AGD, 3224-2, 323-6, 49-3510, 908034P, 908332	Bolt - Hex HD 3/8-16 x 1 GR5 YZ	2	
65	<b>R11-5049</b>	11-5049, Nov-19	Case - Gear LH	1	
65	<b>R11-5059</b>	11-5059, Nov-09	Case - Gear RH	1	
66	<b>R47-4410</b>	47-4410, 47-4410-01	Retainer - Adj. Arm w/Zerk	1	
67	<b>R11-5069</b>	11-5069	Tube - Axle	1	
68	<b>R17-2520</b>	17-2520	Stud - Axle	6	
69	<b>R47-4420</b>	47-4420	Spacer - Adj. Sleeve SS	2	
70	<b>R47-4400</b>	47-4400	Arm - Spring	1	
71	<b>R57-5190</b>	32110-19, 57-5190	Screw - Adjusting	2	
72	<b>R443818</b>	01-191-0813, 3218-18, 3218-5, 3248-18	Nut - 1/2-13 Hex Jam Zinc	2	
73	<b>R322-1</b>	01-178-0504, 20-22-AD, 20-22-AGD, 322-1, 513337	Bolt - Hex HD 5/16-18 x 1/2	2	
74	<b>R3290-244</b>	3290-244	Washer - Lock 5/16 Int-Ext	2	
76	<b>R5-4373</b>	5-4373	Spring	1	

All original equipment manufacturers names and part numbers are used for identification purposes only, and we are in no way implying that our products are original equipment parts. Prices subject to change without notice.



# Replaces Toro Reelmaster Fairway

## Parts

Cutting Unit  
Reel & Bedknife



Item No	R&R Part No.	OEM Part No.	Description	Qty Req	Order Quantity
77	<b>R3296-62</b>	3296-62	Locknut - 1/2-20 LH Jam	1	
78	<b>R170714</b>	302-34, 302-39, 62-3520	Fitting - Pressure Relief	1	
93	<b>R254-78</b>	01-102-0060, 01-102-0130, 1-633585, 254-78, 32-7790, 32-9580, 93-4813	Tapered Bearing Cone	4	
94	<b>R3296-19</b>	30-5020, 32118-3, 32127-26, 32127-41, 3296-19, 60-6530	Locknut - 1/2-20	2	
95	<b>R3253-7</b>	01-166-0030, 01-166-0080, 01-166-0290, 01-166-0810, 23-13-GD, 3253-7, 48-9380	Washer - Lock 1/2	6	
96	<b>R3219-5</b>	01-188-0820, 22-15-BJD, 22-15-BJKD, 3219-5	Nut - 1/2-20	6	
97	<b>R11-5089</b>	11-5089	Bracket - Roller RH	1	
98	<b>R47-4380</b>	47-4380	Nut - Roller Adj RH	1	
99	<b>R3-4010</b>	3-4010	Bushing	0	
100	<b>R325-7</b>	01-150-0380, 01-178-0814, 3226-3, 325-7, 48-9490	Bolt - 1/2-13 x 1 3/4 Hex HD Gr 5	0	

All original equipment manufacturers names and part numbers are used for identification purposes only, and we are in no way implying that our products are original equipment parts. Prices subject to change without notice.





# Replaces Toro Reelmaster Fairway

## Parts

Cutting Unit  
Reel & Bedknife



Item No	R&R Part No.	OEM Part No.	Description	Qty Req	Order Quantity
102	<b>R11-5079</b>	11-5079	Bracket - Roller LH	0	
103	<b>R47-4390</b>	47-4390	Nut - Roller Adj LH	1	
104	<b>R254-79</b>	01-103-0060, 01-103-0130, 1-633584, 252-106, 254-79, 32-7800, 32-9590	Cup - Bearing	4	
<i>Tech Note: Use R254-79M installation mandrel to properly install race.:</i>					
105	<b>R5-1457</b>	5-1457	Gear - Main	2	
106	<b>R3-4001</b>	3-4001, 95-1828	Hub - Ring Gear with Rivets	2	
107	<b>R3262-3</b>	3262-3	Rivet - Ring Gear Hub	12	
108	<b>R237-38</b>	237-38, 7-1393	O-Ring - Large	2	
109	<b>R253-101</b>	253-101, 253-13, 253-25, 253-4, 47-4500, 84-8200	Seal - Oil Cover	2	

All original equipment manufacturers names and part numbers are used for identification purposes only, and we are in no way implying that our products are original equipment parts. Prices subject to change without notice.