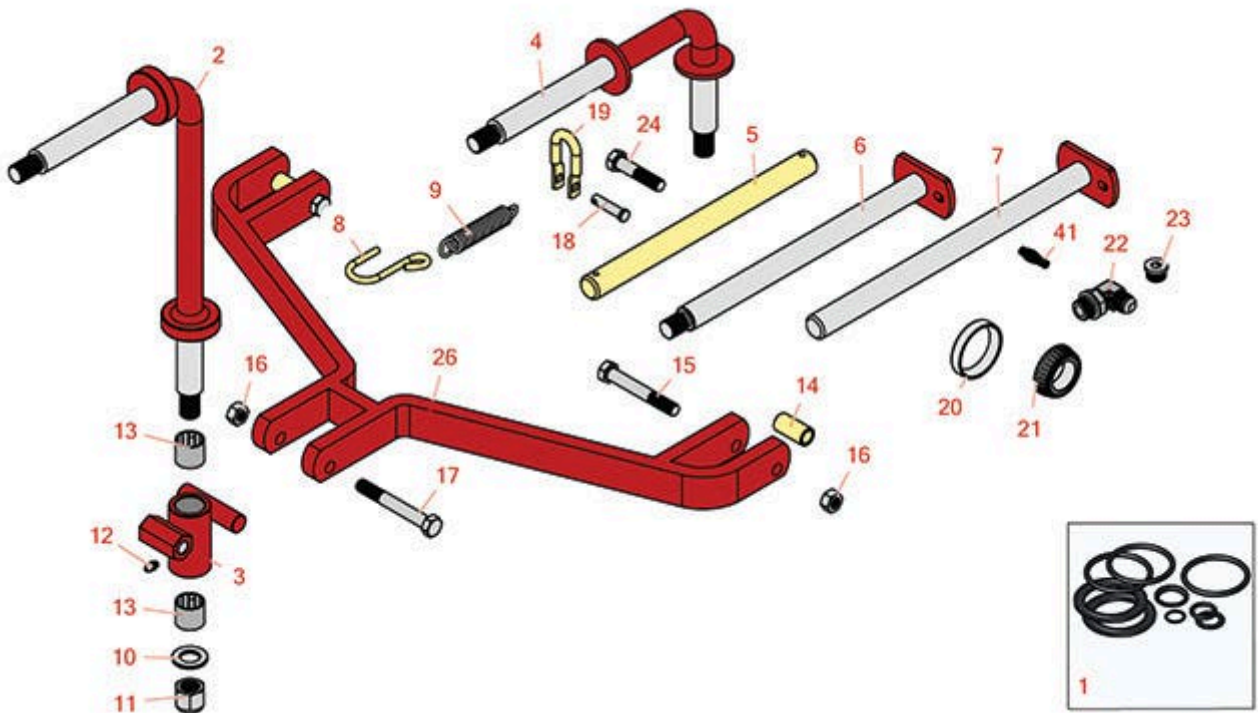




# Replaces Toro Reelmaster Fairway

## Parts

Transport Frames  
Frame Parts



All original equipment manufacturers names and part numbers are used for identification purposes only, and we are in no way implying that our products are original equipment parts. Prices subject to change without notice.



# Replaces Toro Reelmaster Fairway

## Parts

Transport Frames  
Frame Parts



Item No	R&R Part No.	OEM Part No.	Description	Qty Req	Order Quantity
<b>Seal Kits</b>					
1	<b>R22-8720</b>	22-8720	Seal Kit - Fits Hyd Cylinder	1	
<b>Other Parts Available</b>					
2	<b>R28-8720</b>	28-8720, 28-8720-01, Mar-30	Bail - Lift 15 1/2 Long	1	
3	<b>R1-6559</b>	01-651-0020, 1-6559, 3-0255, 6-1030	Housing - w/Bushings	1	
4	<b>R26-8310</b>	26-8310, 26-8310-01	Bail - Lift 6 Long	1	
5	<b>R3-0144</b>	3-0144	Shaft - Lifting Cyl	1	
6	<b>R37-2760</b>	37-2760, 37-2760-01, 8-0390	Pin - Bail Lift 13 5/8	1	
7	<b>R26-8250</b>	26-8250, 26-8250-01	Pin - Lift Arm 14 5/8	1	
8	<b>R3-2198</b>	3-2198	S-Hook - Drawbar	1	
9	<b>R5-1706</b>	5-1706, Mar-83	Spring - Drawbar	1	
10	<b>R3-8448</b>	3-8448	Washer - Lift Bail	2	
11	<b>R3296-50</b>	32153-10, 3296-46, 3296-50	Locknut - 3/4-16 Full Hgt	1	

All original equipment manufacturers names and part numbers are used for identification purposes only, and we are in no way implying that our products are original equipment parts. Prices subject to change without notice.



# Replaces Toro Reelmaster Fairway

## Parts

Transport Frames  
Frame Parts



Item No	R&R Part No.	OEM Part No.	Description	Qty Req	Order Quantity
12	<b>R302-5</b>	21-6010, 302-11, 302-37, 302-47, 302-5, 302-57, 302-58, 302-6, 31-0300, 32-9660, 60-0800, 62-3880, 92-4181	Fitting - Grease	1	
13	<b>R3-0348</b>	3-0348	Bushing	2	
14	<b>R5-1091</b>	5-1091	Spacer - Clamp	2	
15	<b>R325-14</b>	01-150-1720, 01-178-0828, 20-95-AD, 20-95-AGD, 3226-9, 325-14	Bolt - Hex HD 1/2-13 x 3-1/2	2	
16	<b>R32146-13</b>	01-189-0813, 20-8260, 22-15-AJFD, 32146-13, 32153-16, 32153-5, 321653-5	Locknut - 1/2-13	3	
17	<b>R325-17</b>	01-150-0640, 01-150-0850, 01-178-0832, 01-178-0836, 20-97-AGD, 325-17, 325-18, 48-9260	Bolt - Hex Head	1	
18	<b>R283-10</b>	100292, 283-10	Pin - Clevis	1	
19	<b>R5-2942</b>	5-2942	Shackle	1	

All original equipment manufacturers names and part numbers are used for identification purposes only, and we are in no way implying that our products are original equipment parts. Prices subject to change without notice.



# Replaces Toro Reelmaster Fairway

## Parts

*Transport Frames  
Frame Parts*



Item No	R&R Part No.	OEM Part No.	Description	Qty Req	Order Quantity
20	<b>R254-61</b>	01-103-0090, 115-9471, 254-61, 92-0611, 93-4850	Cup	2	
21	<b>RJD8187</b>	254-62, 32-8130, 92-0610, 93-4848	Tapered Bearing Cone	2	
22	<b>R353-426</b>	353-426	Fitting - 90 Deg	2	
23	<b>R353-988</b>	353-988	Plug - Hex	3	
24	<b>R325-10</b>	01-150-0620, 01-178-0820, 20-91-AGD, 3226-6, 325-10	Bolt	1	
25	<b>R232-27</b>	232-27, 232-31	Stem - Valve w/ Cap	2	
26	<b>R3-9280</b>	01-651-0030, 3-0248, 3-9280, 3-9280-01	Bar - Draw	1	

All original equipment manufacturers names and part numbers are used for identification purposes only, and we are in no way implying that our products are original equipment parts. Prices subject to change without notice.