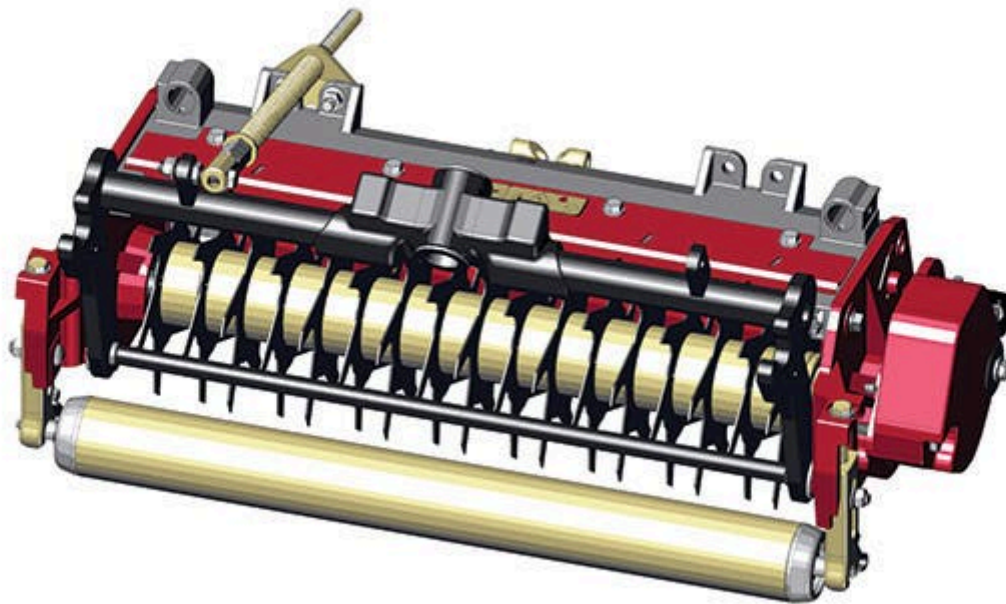




## Replaces Toro Reelmaster 6700D Parts

*Verti-Cut Unit - Model 03877*

*Complete Verti-Cut Unit*



All original equipment manufacturers names and part numbers are used for identification purposes only, and we are in no way implying that our products are original equipment parts. Prices subject to change without notice.



# Replaces Toro Reelmaster 6700D Parts

Verti-Cut Unit - Model 03877

Complete Verti-Cut Unit



| Item No | R&R Part No. | OEM Part No. | Description | Qty Req | Order Quantity |
|---------|--------------|--------------|-------------|---------|----------------|
|---------|--------------|--------------|-------------|---------|----------------|

## Complete Verti-Cut Unit

|   |                |  |                                  |   |  |
|---|----------------|--|----------------------------------|---|--|
| 1 | <b>R150194</b> |  | Complete Standard Verti-Cut Unit | 0 |  |
|---|----------------|--|----------------------------------|---|--|

*Tech Note: R&R Verti-Cut Unit Complete with R110-9614 Front Smooth Roller, R107-4040 Rear Smooth Roller & R93-3038-03 Verti-Cut Blades:*

## Custom Verti-Cut Unit

|   |                    |  |                       |   |  |
|---|--------------------|--|-----------------------|---|--|
| 2 | <b>R150194-SPL</b> |  | Custom Verti-Cut Unit | 0 |  |
|---|--------------------|--|-----------------------|---|--|

All original equipment manufacturers names and part numbers are used for identification purposes only, and we are in no way implying that our products are original equipment parts. Prices subject to change without notice.