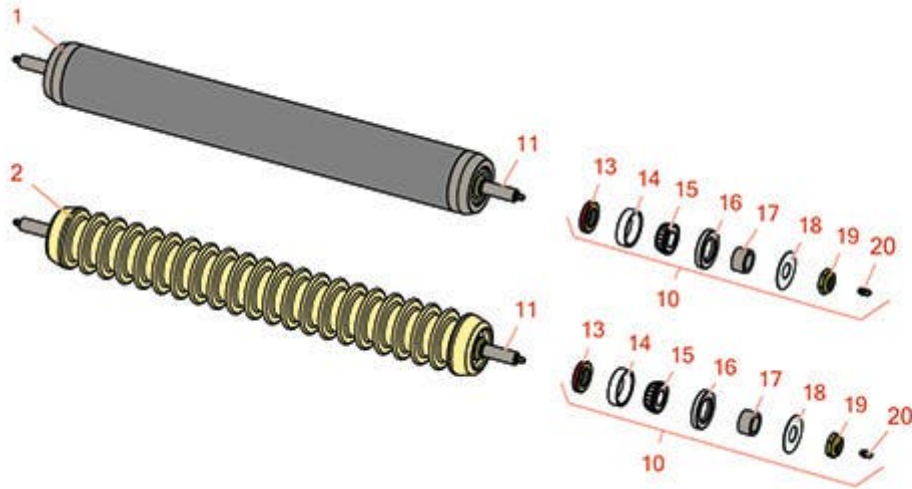




Replaces Toro Reelmaster 6700D Parts

Cutting Unit - Models 03860, 03861 & 03862
Rollers



All original equipment manufacturers names and part numbers are used for identification purposes only, and we are in no way implying that our products are original equipment parts. Prices subject to change without notice.



Replaces Toro Reelmaster 6700D Parts

Cutting Unit - Models 03860, 03861 & 03862
Rollers



Item No	R&R Part No.	OEM Part No.	Description	Qty Req	Order Quantity
---------	--------------	--------------	-------------	---------	----------------

R&R Rollers

1	R150728	99-5749	Roller - Smooth Heavy Duty Tubular Steel	0	
---	----------------	---------	------------------------------------------	---	--

Tech Note: Constructed with a through shaft, this heavy duty roller uses tapered bearings for extended life. Shaft length measures 26-3/4".:

2	R150730	100-9906	Roller - Grooved Cast Steel	0	
---	----------------	----------	-----------------------------	---	--

Tech Note: Constructed with cast steel body and a through shaft. This heavy duty roller uses tapered roller bearings for extended life. Shaft length measures 26-3/4".:

Overhaul Kits

10	R100141		Overhaul Kit - Roller	1	
----	----------------	--	-----------------------	---	--

Tech Note: Includes 2 ea: R253-117 Seals, R253-152 Seals, R254-78 Bearings, R254-79 Cups, R302-5 Grease Fittings, R3296-15 Locknuts, R5-4038 Wear Sleeves, R150504 Washers:

Other Parts Available

11	R150729		Shaft - Roller	1	
----	----------------	--	----------------	---	--

13	R253-152	253-116, 253-152	Seal - Inner Roller	2	
----	-----------------	---------------------	---------------------	---	--

14	R254-79	01-103-0060, 01-103-0130, 1-633584, 252-106, 254-79, 32-7800, 32-9590	Cup - Bearing	2	
----	----------------	-----------------------------------------------------------------------------------------	---------------	---	--

Tech Note: Use R254-79M installation mandrel to properly install race.:

15	R254-78	01-102-0060, 01-102-0130, 1-633585, 254-78, 32-7790, 32-9580, 93-4813	Tapered Bearing Cone	2	
----	----------------	-----------------------------------------------------------------------------------------	----------------------	---	--

All original equipment manufacturers names and part numbers are used for identification purposes only, and we are in no way implying that our products are original equipment parts. Prices subject to change without notice.



Replaces Toro Reelmaster 6700D Parts

Cutting Unit - Models 03860, 03861 & 03862
Rollers



Item No	R&R Part No.	OEM Part No.	Description	Qty Req	Order Quantity
16	R253-117	253-117, 253-165	Seal - Outer Triple Lip	2	
17	R5-4038	5-4038, 51-2420	Sleeve - Wear Reel Shaft	2	
18	R150504	66-5620	Washer	2	
19	R3296-15	116-7306, 32118-5, 32127-23, 32127-47, 3296-15	Locknut - 3/4-16 Nylon Jam	5	
20	R302-5	21-6010, 302-11, 302-37, 302-47, 302-5, 302-57, 302-58, 302-6, 31-0300, 32-9660, 60-0800, 62-3880, 92-4181	Fitting - Grease	2	

All original equipment manufacturers names and part numbers are used for identification purposes only, and we are in no way implying that our products are original equipment parts. Prices subject to change without notice.