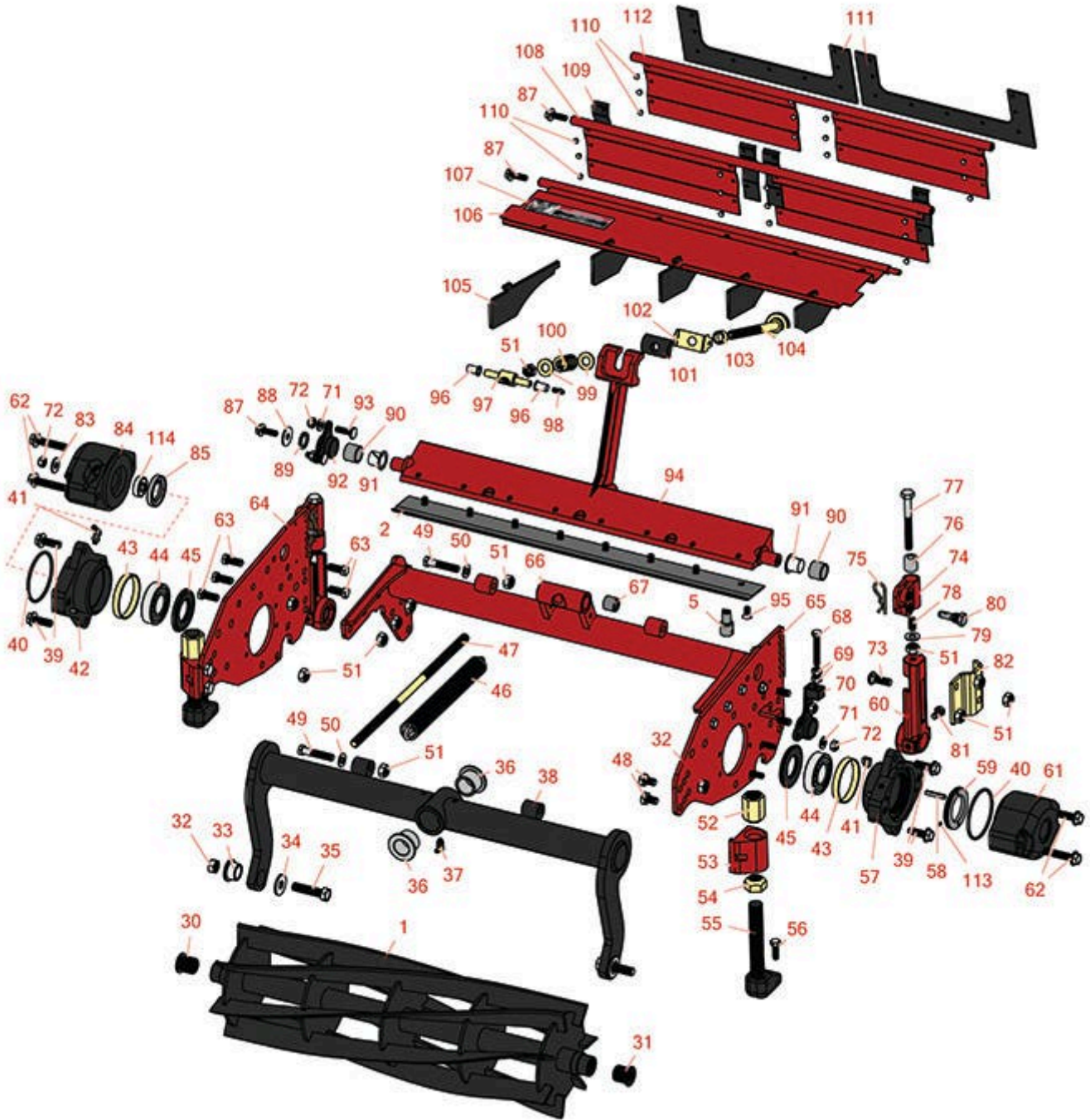




# Replaces Toro Reelmaster 6700D Parts

Cutting Unit - Models 03857, 03858 & 03859  
Reel & Bedknife



All original equipment manufacturers names and part numbers are used for identification purposes only, and we are in no way implying that our products are original equipment parts. Prices subject to change without notice.



# Replaces Toro Reelmaster 6700D Parts

Cutting Unit - Models 03857, 03858 & 03859

Reel & Bedknife



Item No	R&R Part No.	OEM Part No.	Description	Qty Req	Order Quantity
<b>R&amp;R Reels, Lifetime Guaranteed</b>					
1	<b>R95-2770</b>	95-2770	Reel - 7 Blade	1	
1	<b>R94-4337</b>	93-7520, 94-4337	Reel - 5 Blade	1	
1	<b>R94-4338</b>	93-7521, 94-4338	Reel - 11 Blade	1	
<b>R&amp;R Bedknives, Lifetime Guaranteed</b>					
2	<b>R93-9774</b>	93-9774	Bedknife - 5/16	1	
2	<b>R94-8936</b>	94-8936	Bedknife - 1/2	1	
2	<b>R98-3994</b>	98-3994	Bedknife - 3/8	1	
2	<b>R104-1810</b>	104-1810	Bedknife - High Cut	1	
<b>Service Tools</b>					
3	<b>R51-0880</b>	51-0880	Bedknife Screw Driver Tool	0	
<b>Other Parts Available</b>					
30	<b>R94-2732</b>	94-2732	Insert - Threaded RH	1	
31	<b>R94-2733</b>	94-2733	Insert - Threaded LH	1	
32	<b>R94-4307</b>	94-4307	Nut-Hex Lock	2	
33	<b>R93-2877</b>	93-2877	Bushing - Flanged	2	
34	<b>R94-2701</b>	94-2701	Washer - Hardened	2	
35	<b>R94-2702</b>	94-2702	Bolt - Hex HD M12-1.75 x 50	2	
36	<b>R94-1291</b>	94-1291	Bushing - Flanged	2	
37	<b>R302-60</b>	302-60	Zerk - Grease 90 Deg.	1	

All original equipment manufacturers names and part numbers are used for identification purposes only, and we are in no way implying that our products are original equipment parts. Prices subject to change without notice.



# Replaces Toro Reelmaster 6700D Parts

Cutting Unit - Models 03857, 03858 & 03859  
Reel & Bedknife



Item No	R&R Part No.	OEM Part No.	Description	Qty Req	Order Quantity
38	<b>R100-8011</b>	100-8011, 98-7972, 98-7973, 99-2457	Carrier Frame Assy	1	
39	<b>R33105-030</b>	33105-030	Bolt - Hex Washer M10	4	
40	<b>R93-9783</b>	93-9783	O-Ring - Reel	2	
41	<b>R700414</b>	302-11, 302-19, 302-4, 32-8170	Zerk - Grease 1/4-28 45 Deg	2	
42	<b>R93-9794</b>	93-9794	Housing - Bearing RH	1	
43	<b>R93-2922</b>	93-2922, 93-9793	Ring - Wear Bearing Housing	2	
44	<b>R93-2489</b>	93-2489	Bearing - Reel	2	
45	<b>R94-8908</b>	93-2483, 94-8908	Seal - Reel	2	
46	<b>R92-7768</b>	86-0080, 92-7768	Spring-Compression	1	
47	<b>R99-8661</b>	99-8661	Rod-Spring	1	
48	<b>R33115-016</b>	33115-016	Bolt - Hex HD M10 x 16	4	
49	<b>R99-8664</b>	99-8664	Bolt - Hx HD	1	

All original equipment manufacturers names and part numbers are used for identification purposes only, and we are in no way implying that our products are original equipment parts. Prices subject to change without notice.



# Replaces Toro Reelmaster 6700D Parts

Cutting Unit - Models 03857, 03858 & 03859

Reel & Bedknife



Item No	R&R Part No.	OEM Part No.	Description	Qty Req	Order Quantity
50	<b>R453011</b>	01-166-0100, 01-166-0120, 01-166-0270, 01-166-0500, 01-166-0600, 01-166-0620, 132-4593, 2356-3, 237-12, 24-10-AD, 24-11-AD, 24-11-BD, 24-12-AD, 24-12-BD, 30-9310, 32-8190, 3256-24, 3256-3, 3256-36, 3256-4, 453011, 47-9950, 48-9220, 513458, 7-0052	Washer - Flat 3/8 SAE Y/Zinc	2	
51	<b>R33025-00</b>	32025-00, 33025-00	Locknut - 10mm x 1.5 Jam	12	
52	<b>R95-2790</b>	95-2790	Nut - Roller Adj Long	2	
53	<b>R95-7733</b>	95-7733, 95-7733-01	Bracket - HOC	2	
54	<b>R95-2789</b>	95-2789	Nut - Roller Adj Short	2	
55	<b>R95-2783</b>	100-7100, 95-2783	Rod - Support Assy H.O.C.	2	
56	<b>R57-6380</b>	33114-025, 48-9460, 60-4540	Bolt - Hex HD M8-1.25 x 25	2	
57	<b>R93-9795</b>	93-9795	Housing - Bearing LH	1	

All original equipment manufacturers names and part numbers are used for identification purposes only, and we are in no way implying that our products are original equipment parts. Prices subject to change without notice.



# Replaces Toro Reelmaster 6700D Parts

Cutting Unit - Models 03857, 03858 & 03859

Reel & Bedknife



Item No	R&R Part No.	OEM Part No.	Description	Qty Req	Order Quantity
58	<b>R32121-69</b>	120-8095, 32121-69	Pin - Roll 1/4 x 1-1/4	4	
59	<b>R93-9786</b>	105-6756, 93-9786, 95-2793, 99-5672	Nut - Bearing Adj Incl R3245-42	1	
60	<b>R93-2904</b>	93-2904, 93-2904-01	Bracket - Rear Roller	2	
61	<b>R105-4011-03</b>	105-4011, 105-4011-03, 94-4347, 94-4347-01, 94-4347-03	Weight - End	1	
62	<b>R93-7522</b>	93-7522	Bolt - Hx HD M10-1.5 x 90	4	
63	<b>R33105-025</b>	33105-025	Bolt - Hex HD M10-1.5 x 25	8	
64	<b>R93-2981-01</b>	93-2981, 93-2981-01	Sideplate- RH	1	
65	<b>R93-2982-01</b>	93-2982, 93-2982-01	Sideplate - LH	1	
66	<b>R100-4994-01</b>	100-4994-01	Frame-Reel	1	
67	<b>R62-5510</b>	52-2870, 62-5510	Bushing	2	
68	<b>R94-3489</b>	75-8530, 94-3489	Bolt - Hex HD M8 x 50	1	
69	<b>R14M7298</b>	104-2612, 33004-00	Nut - 8mm x 1.25 Flanged	4	
70	<b>R93-2512</b>	93-2512	Hub - Pivot LH Bed Bar	1	
70	<b>R100-3381</b>	100-3381	Hub - Pivot LH Bed Bar	1	

*Tech Note: Includes R93-7501:*

All original equipment manufacturers names and part numbers are used for identification purposes only, and we are in no way implying that our products are original equipment parts. Prices subject to change without notice.



# Replaces Toro Reelmaster 6700D Parts

Cutting Unit - Models 03857, 03858 & 03859

Reel & Bedknife



Item No	R&R Part No.	OEM Part No.	Description	Qty Req	Order Quantity
71	<b>R33094-00</b>	33094-00, 93-5914	Washer - Flat - 8mm Hardened	4	
72	<b>R33024-00</b>	33024-00	Locknut - 8mm x 1.25	5	
73	<b>R33125-030</b>	33125-030, 93-6452	Bolt - Carriage M10 x 30	2	
74	<b>R93-2902-01</b>	93-2902-01	Support - HOC - Rear	2	
75	<b>R3290-467</b>	3290-467	Pin-Hair	2	
76	<b>R94-4344</b>	94-4344	Spacer	2	
77	<b>R93-7500</b>	93-7500	Bolt - Hx HD M10-1.5 x 90	2	
78	<b>R93-2921</b>	93-2921	Spring - Compression	2	
79	<b>R93-7509</b>	93-7509	Washer - Special	2	
80	<b>R93-2906</b>	93-2906	Pin - HOC	2	
81	<b>R93-9757</b>	93-9757	Bolt - Hex HD Nyloc M8 x 16	2	
82	<b>R61-0910</b>	61-0910	Bracket	2	
83	<b>R453009</b>	01-166-0400, 24-10-BD, 24-9-AD, 32-9650, 3256-2, 3256-23, 3256-3, 3256-67, 3290-217, 3556-3, 4-2390, 7-0152	Washer - Flat 5/16 SAE	1	
83	<b>R310266</b>	3256-23, 3256-3, 3556-3	Washer - Flat 5/16 USS	1	
84	<b>R93-3080-03</b>	93-3080-03	Housing, End Cap	1	

All original equipment manufacturers names and part numbers are used for identification purposes only, and we are in no way implying that our products are original equipment parts. Prices subject to change without notice.



# Replaces Toro Reelmaster 6700D Parts

Cutting Unit - Models 03857, 03858 & 03859  
Reel & Bedknife



Item No	R&R Part No.	OEM Part No.	Description	Qty Req	Order Quantity
85	<b>R253-117</b>	253-117, 253-165	Seal - Outer Triple Lip	1	
87	<b>R33104-020</b>	33104-020	Bolt - Hex Washer HD	4	
88	<b>R3256-82</b>	3256-82	Washer - Flat	2	
89	<b>R93-7510</b>	93-7510	Ring - Quad RH Pivot Hub	2	
90	<b>R93-7501</b>	93-7501	Bushing	2	
91	<b>R93-7502</b>	93-7502	Bushing - Flanged Nylon	2	
92	<b>R93-2513</b>	93-2513	Hub - Pivot RH	1	
92	<b>R100-3380</b>	100-3380	Hub - Pivot RH Bed Bar	1	
<i>Tech Note: Includes R93-7501:</i>					
93	<b>R94-2738</b>	94-2738	Bolt - Carriage M8-1.25 x 25	4	
94	<b>R99-8698</b>	93-2854, 95-3458, 99-8698-01	Bed Bar	1	
95	<b>R150476</b>	3-3816, 3-6462, 52-4910, 57-4910	Screw - Bedknife 5/16-18 x 5/8	8	
96	<b>R52-2890</b>	52-2890	Bushing - Flanged	2	
97	<b>R57-5260</b>	107-7409, 57-5260	Pivot - 1/2-20 - Bed Bar	1	
98	<b>R302-18</b>	302-18	Zerk - Grease Press Style	1	
99	<b>R29-8910-01</b>	29-8910	Washer - Flat 1/2	2	
100	<b>R95-0772</b>	93-2915, 95-0772	Spring - Bed Bar Adjuster	1	
101	<b>R93-2892</b>	93-2892	Pivot - Plastic - Bed Bar	1	

All original equipment manufacturers names and part numbers are used for identification purposes only, and we are in no way implying that our products are original equipment parts. Prices subject to change without notice.



# Replaces Toro Reelmaster 6700D Parts

Cutting Unit - Models 03857, 03858 & 03859  
Reel & Bedknife



Item No	R&R Part No.	OEM Part No.	Description	Qty Req	Order Quantity
102	<b>R95-8752</b>	93-9767, 95-8752	Arm - Spring	1	
103	<b>R93-2959</b>	93-2959	Spacer - Bed Bar Assy	1	
104	<b>R95-8877</b>	106-7536, 93-2957, 95-2762, 95-8877	Handle - Bed Bar Adjustment	1	
105	<b>R100-2287</b>	100-2287	Deflector-Shield,	5	
106	<b>R98-7978</b>	93-9761, 94-8942, 98-7978	Front Grass Shield	1	
107	<b>R67-7960</b>	27-2890, 62-5070, 67-7960	Decal - Warning	1	
108	<b>R98-3998-01</b>	98-3998, 98-3998-01	Rear Grass Shield	1	
<i>Tech Note: Fits 1998:</i>					
109	<b>R98-3999</b>	98-3999	Flap-Side-Rubber	2	
110	<b>R700382</b>	700382	Rivet - Guard	18	
111	<b>R99-5725</b>	99-5725	Flap - Rear	2	
112	<b>R100-3369</b>	100-3369	Grass Shield - Rear	1	
<i>Tech Note: Fits 1999:</i>					
113	<b>R3245-42</b>	3245-42	Screw - Set 8/32 x 1/4	1	
114	<b>R93-2956</b>	93-2956	Bearing-Ball	1	

All original equipment manufacturers names and part numbers are used for identification purposes only, and we are in no way implying that our products are original equipment parts. Prices subject to change without notice.