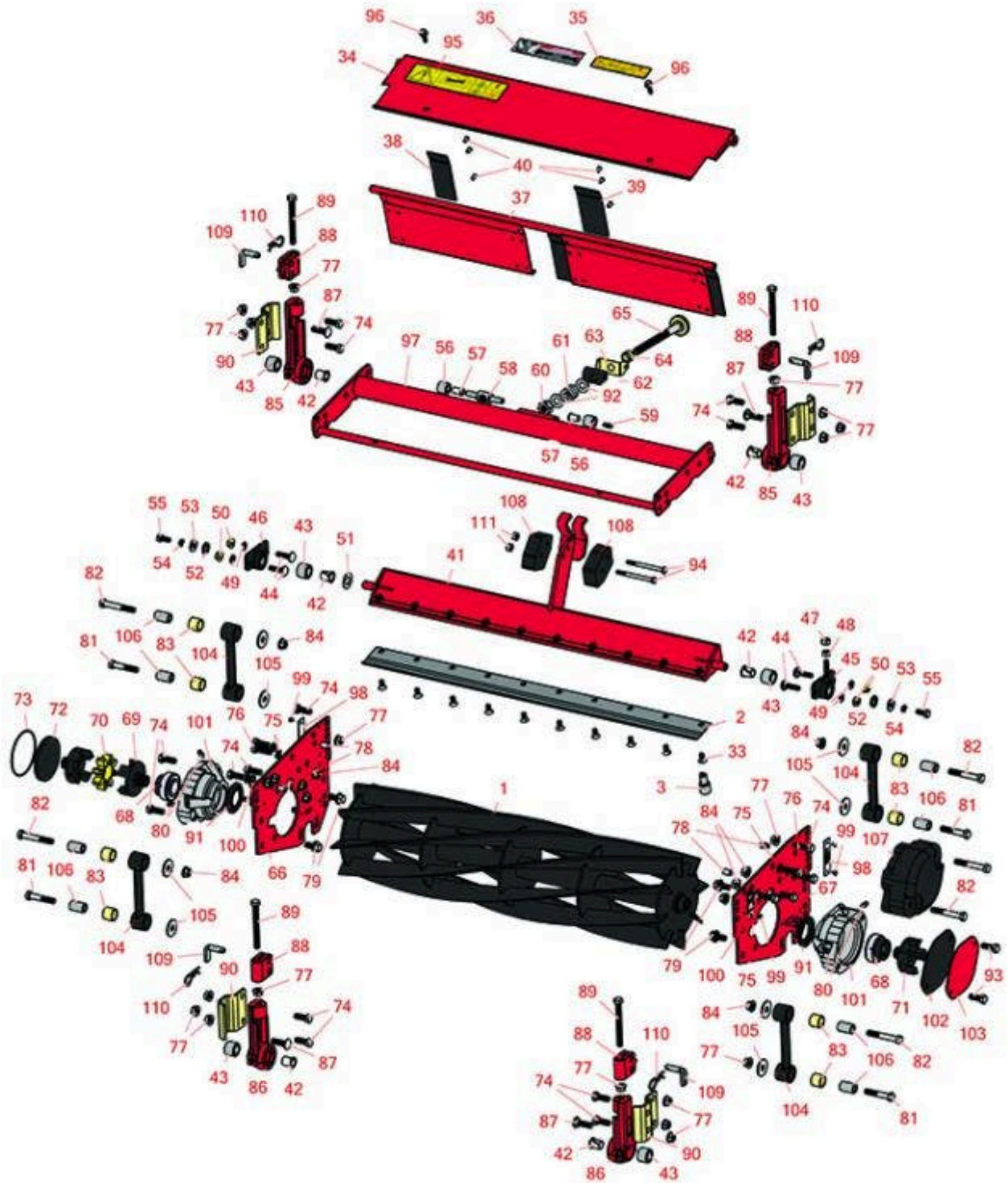




Replaces Toro Reelmaster 2000D Parts

Cutting Unit - Models 03210, 03212, 03237, 03238 & 03239
Reel & Bedknife



All original equipment manufacturers names and part numbers are used for identification purposes only, and we are in no way implying that our products are original equipment parts. Prices subject to change without notice.



Replaces Toro Reelmaster 2000D Parts

Cutting Unit - Models 03210, 03212, 03237, 03238 & 03239
Reel & Bedknife



Item No	R&R Part No.	OEM Part No.	Description	Qty Req	Order Quantity
R&R Reels, Lifetime Guaranteed					
1	R94-3631	93-8839, 94-3631, 99-3468, 99-3482	Reel - 5 Blade Fits 27x7	1	
1	R94-3630	93-8833, 94-3630, 99-3469, 99-3483	Reel - 8 Blade Fits 27x7	1	
1	R105-6768	105-6768	Reel - 11 Blade 27x7	1	
1	R94-5055	94-4987, 99-3470, 99-3484	Reel - 5 Blade 32x7	1	
1	R94-5054	94-4960, 99-3471, 99-3485	Reel - 8 Blade Fits 32x7	1	
R&R Bedknives, Lifetime Guaranteed					
2	R62-5180	105-6785, 61-0800, 62-5180	Bedknife - Lowcut - 27 in Unit	1	
2	R94-5079	104-1381, 94-4974, 94-5079	Bedknife - Lowcut - 32 in Unit	1	
2	R104-1380	104-1380	Bedknife - Highcut - 27 in Unit	1	
R&R Razor Tool Steel Bedknives, Lifetime Guaranteed					
2	R150469		Bedknife - Razor Tool Steel - 27 x 1/2 Fairway	1	
2	R112-8956	112-8956	Bedknife - Razor Tool Steel - 32 x 3/8 Fairway	1	
2	R112-8910	112-8910	Bedknife - Razor Tool Steel - 27 High Cut	1	
Service Tools					

All original equipment manufacturers names and part numbers are used for identification purposes only, and we are in no way implying that our products are original equipment parts. Prices subject to change without notice.



Replaces Toro Reelmaster 2000D Parts

Cutting Unit - Models 03210, 03212, 03237, 03238 & 03239
Reel & Bedknife



Item No	R&R Part No.	OEM Part No.	Description	Qty Req	Order Quantity
3	R51-0880	51-0880	Bedknife Screw Driver Tool	0	

Other Parts Available

33	R150476	3-3816, 3-6462, 52-4910, 57-4910	Screw - Bedknife 5/16-18 x 5/8	10	
34	R94-3621	94-3621	Shield - Top Incl. Safety Decal 27 in	1	
34	R94-5053	94-5053	Shield - Top - Fits 32 in Units	1	
35	R93-6688	93-6688	Decal - Warning	1	
36	R67-7960	27-2890, 62-5070, 67-7960	Decal - Warning	1	
37	R93-8849	61-1130, 93-8817, 93-8849	Shield - Rear Grass Fits 27 in Units	1	
37	R94-4969	94-4969	Shield - Rear Grass 32 in Units	1	
38	R61-3280	61-3280	Cover - Rubber Side	2	
39	R61-3290	61-3290	Cover - Rubber Center	1	
40	R700382	700382	Rivet - Guard	12	
41	R95-8739	95-8739, 95-8739-01	Bed Bar - Fits 27 Units	1	
41	R95-8748	95-8748-01	Bed Bar - Fits 32 Units	1	
42	R56-9520	56-9520	Bushing - Nyliner	6	
43	R56-9510	56-9510	Bushing - Rubber For Bed Bar / RI	6	

All original equipment manufacturers names and part numbers are used for identification purposes only, and we are in no way implying that our products are original equipment parts. Prices subject to change without notice.



Replaces Toro Reelmaster 2000D Parts

Cutting Unit - Models 03210, 03212, 03237, 03238 & 03239
Reel & Bedknife



Item No	R&R Part No.	OEM Part No.	Description	Qty Req	Order Quantity
44	R3230-2	01-173-0508, 25-25-AGD, 3230-16, 3230-2, 513624, 513633, 513635, 900038P	Bolt - Carriage	4	
45	R16-9769	16-9769	Housing - Bed Bar - Adj. Side	1	
46	R14-4459	14-4459	Housing - w/Bushing For Bed Bar	1	
47	R444754	01-189-0518, 3296-4	Locknut - 5/16-24 Center	1	
48	R3219-2	01-188-0524, 22-12-BJKD, 3219-2, 915720	Nut - 5/16-24 Zinc	1	
49	R3256-74	3256-74	Washer - Flat	4	
50	R104-8300	104-8300, 104-8300 , 119-4041	Locknut - 5/16-18 Flanged Y/Zinc	4	
51	R61-1950	61-1950	Washer - Nylon - Bed Bar	1	
52	R62-7120	62-7120	Washer	1	
53	R3256-56	3256-56, 60-4750	Washer	1	

All original equipment manufacturers names and part numbers are used for identification purposes only, and we are in no way implying that our products are original equipment parts. Prices subject to change without notice.



Replaces Toro Reelmaster 2000D Parts

Cutting Unit - Models 03210, 03212, 03237, 03238 & 03239
Reel & Bedknife



Item No	R&R Part No.	OEM Part No.	Description	Qty Req	Order Quantity
54	R3253-4	01-166-0110, 01-166-0510, 23-10-GD, 24-7170, 30-8520, 3253-4, 42-9850, 48-9350, 48-9360, 48-9570, 68-9420, 99-7577	Washer - Lock 5/16 Zinc	1	
55	R322-3	01-150-1420, 01-178-0506, 20-24-AD, 20-24-AGD, 322-3, 48-9270, 513339, 908017P	Bolt - Hex HD 5/16-18 x 3/4	1	
56	R62-5510	52-2870, 62-5510	Bushing	2	
57	R52-2890	52-2890	Bushing - Flanged	2	
58	R57-5260	107-7409, 57-5260	Pivot - 1/2-20 - Bed Bar	1	
59	R302-18	302-18	Zerk - Grease Press Style	1	
60	R3296-62	3296-62	Locknut - 1/2-20 LH Jam	1	
61	R57-5270	57-5270	Spring - Adjusting Handle	1	
62	R93-2892	93-2892	Pivot - Plastic - Bed Bar	1	
63	R95-8752	93-9767, 95-8752	Arm - Spring	1	
64	R93-2959	93-2959	Spacer - Bed Bar Assy	1	

All original equipment manufacturers names and part numbers are used for identification purposes only, and we are in no way implying that our products are original equipment parts. Prices subject to change without notice.



Replaces Toro Reelmaster 2000D Parts

Cutting Unit - Models 03210, 03212, 03237, 03238 & 03239
Reel & Bedknife



Item No	R&R Part No.	OEM Part No.	Description	Qty Req	Order Quantity
65	R95-8877	106-7536, 93-2957, 95-2762, 95-8877	Handle - Bed Bar Adjustment	1	
66	R94-3695-01	94-3695, 94-3695-01	Plate - Side Reel RH	1	
67	R94-3697-01	94-3697, 94-3697-01	Plate - Side Reel LH	1	
68	R100-4926	100-4926	Bearing - Reel Self Aligning	2	
69	R93-8825	93-8825	Coupling - RH Reel	1	
70	R93-8827	93-8827	Spider - Reel Coupling	1	
71	R93-8826	93-8826	Coupling - LH Reel	1	
72	R94-2703	94-2703	Plug - Plastic Spindle Housing	1	
73	R353-949	353-949, 60-3520	O-Ring	1	
74	R323-6	01-150-0010, 01-178-0608, 20-47-AD, 20-47-AGD, 3224-2, 323-6, 49-3510, 908034P, 908332	Bolt - Hex HD 3/8-16 x 1 GR5 YZ	10	
75	R3254-6	01-166-0010, 01-166-0280, 01-166-0610, 3253-5, 3254-18, 3254-6, 3290-223, 48-9370	Washer - Lock 3/8	4	

All original equipment manufacturers names and part numbers are used for identification purposes only, and we are in no way implying that our products are original equipment parts. Prices subject to change without notice.



Replaces Toro Reelmaster 2000D Parts

Cutting Unit - Models 03210, 03212, 03237, 03238 & 03239
Reel & Bedknife



Item No	R&R Part No.	OEM Part No.	Description	Qty Req	Order Quantity
76	R400264	01-150-0180, 01-178-0610, 20-48-AD, 20-48-AGD, 32-9160, 3224-3, 323-29, 323-7, 400264, 908035P	Bolt - Hex HD 3/8-16 x 1-1/4	2	
77	R3296-39	32127-25, 32128-36, 3290-357, 3296-17, 3296-22, 3296-39, 915663P, 99-7443	Locknut - 3/8-16 Nylon	6	
78	R32121-36	32121-36	Pin-Spring	4	
79	R110-1718	110-1718	Screw-HHF	4	
80	R302-5	21-6010, 302-11, 302-37, 302-47, 302-5, 302-57, 302-58, 302-6, 31-0300, 32-9660, 60-0800, 62-3880, 92-4181	Fitting - Grease	4	

All original equipment manufacturers names and part numbers are used for identification purposes only, and we are in no way implying that our products are original equipment parts. Prices subject to change without notice.



Replaces Toro Reelmaster 2000D Parts

Cutting Unit - Models 03210, 03212, 03237, 03238 & 03239
Reel & Bedknife



Item No	R&R Part No.	OEM Part No.	Description	Qty Req	Order Quantity
81	R323-10	01-150-0680, 01-178-0616, 100-6663, 100-8320, 1489, 20-51-AD, 20-51-AGD, 3224-6, 323-10, 323-35, 908336	Bolt - Hex HD 3/8-16 x 2	4	
82	R101526	01-150-0970, 01-178-0620, 101526, 20-53-AGD, 321-11, 3224-8, 323-11, 323-12, 323-31, 323-4, 323-47	Bolt - Hex HD 3/8-16 x 2-1/2 GR5	6	
83	R94-8945	94-8945	Bushing - Bronze - Link Bar	4	
84	R32128-19	104-8301, 104-9301, 32128-19	Locknut - 3/8-16 Flanged Top Lock	8	
85	R14-4479	14-4479	Bracket - Assy - Rear Roller	2	
86	R14-4489	14-4489	Bracket - Assy - Front Roller	2	
87	R3231-25	01-173-0610, 30-9970, 3231-25, 3231-3, 900064P	Bolt - Carriage 3/8-16 x 1-1/4	4	
88	R61-0420	61-0420, 61-0420-01	Support - HOC	4	
89	R61-0790	323-57, 61-0790	Bolt - Roller Adjustment	4	

All original equipment manufacturers names and part numbers are used for identification purposes only, and we are in no way implying that our products are original equipment parts. Prices subject to change without notice.



Replaces Toro Reelmaster 2000D Parts

Cutting Unit - Models 03210, 03212, 03237, 03238 & 03239
Reel & Bedknife



Item No	R&R Part No.	OEM Part No.	Description	Qty Req	Order Quantity
90	R61-0910	61-0910	Bracket	4	
91	R105-6761	105-6761	Seal	2	
92	R29-8910-01	29-8910	Washer - Flat 1/2	2	
93	R323-2	01-178-0604, 323-2	Bolt - Hex HD 3/8-16 x 1	2	
94	R400124	01-178-0420, 20-11-AD, 321-15	Bolt - Hex HD 1/4-20 x 2-1/2 GR5	2	
95	R93-8064	93-8064	Decal - Warning	1	
96	R32144-10	32140-81, 32144-10, 32144-3, 34-140-AMVD	Bolt - 1/4-20 x 3/4 Serrated Hx Wshr	2	
97	R95-8753-01	95-8753, 95-8753-01	Reel Frame - 27 in	1	
97	R95-8755-01	95-8755, 95-8755-01	Reel Frame - 32 in	1	
98	R61-3800	61-3800	Plate - HOC Rear	2	
99	R3290-55	3290-50, 3290-55	Rivet - 5/32 x 3/8 Pop Rivet	4	
100	R61-3790	61-3790	Plate-HOC, Front	2	
101	R99-3404	93-6930, 99-3404	Housing-Bearing	2	
102	R94-5979	94-5979	Gasket	1	
103	R93-6960	93-6960	Cover - Bearing Holder	1	
104	R16-9759	16-9759	Link Assy	4	
105	R93-8806	93-8806	Washer-Hardened	16	

All original equipment manufacturers names and part numbers are used for identification purposes only, and we are in no way implying that our products are original equipment parts. Prices subject to change without notice.



Replaces Toro Reelmaster 2000D Parts

Cutting Unit - Models 03210, 03212, 03237, 03238 & 03239
Reel & Bedknife



Item No	R&R Part No.	OEM Part No.	Description	Qty Req	Order Quantity
106	R93-6981	93-6981	Spacer	8	
107	R105-0171-03	105-0171-03	Weight-End	1	
108	R99-3472	99-3472	Weight	2	
109	R71-3690	61-0630, 71-3690	Spade - Bent	4	
110	R3290-467	3290-467	Pin-Hair	4	
111	R301504	2296-42, 301504, 32127-24, 32128-33, 32146-17, 3296-16, 3296-42, 3296-42 , 915661P	Locknut - ESNA 1/4-20	2	

All original equipment manufacturers names and part numbers are used for identification purposes only, and we are in no way implying that our products are original equipment parts. Prices subject to change without notice.