

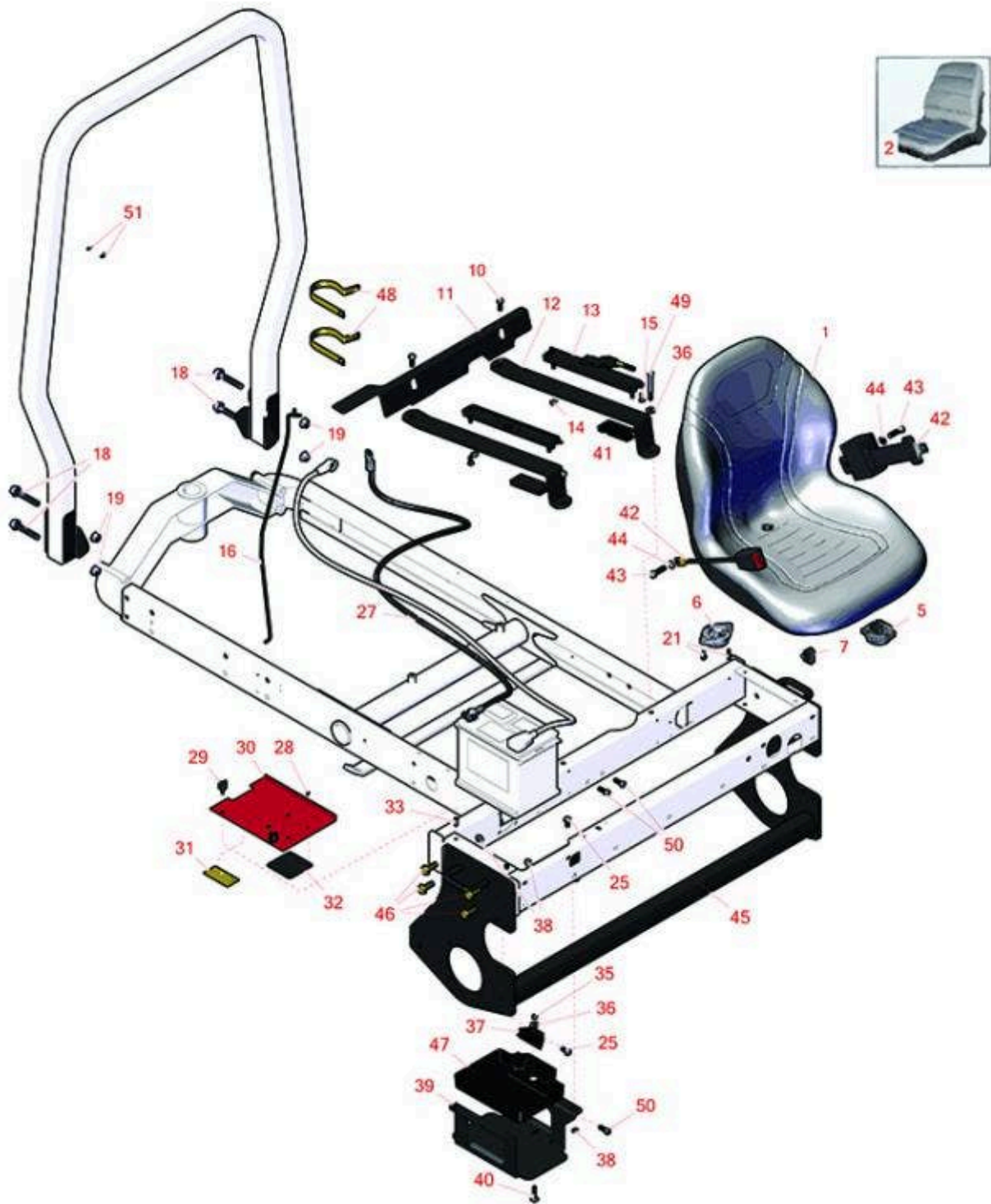


Replaces Toro Groundsmaster 3500-G

Parts

Traction Unit - Model 30809

Battery & Seat



All original equipment manufacturers names and part numbers are used for identification purposes only, and we are in no way implying that our products are original equipment parts. Prices subject to change without notice.



Replaces Toro Groundsmaster 3500-G Parts

Traction Unit - Model 30809
Battery & Seat



Item No	R&R Part No.	OEM Part No.	Description	Qty Req	Order Quantity
---------	--------------	--------------	-------------	---------	----------------

Seats

1	RMXB200GY	100-3187, 104-4620, 104-7620, 21-4880, 351-59, 351-76, 49-8130, 63-9410, 66-5400, 75-9190, 750105, 92-6280, MXB200GY	Milsco Seat XB200 - Grey	1	
---	------------------	--	--------------------------	---	--

Tech Note: This seat will not accept seat belts:

*Detail Description: The Milsco XB200 high back seat features a comfortable vacuum formed, waterproof vinyl cover with central drain hole. Ergonomic foam cushion provides operator comfort. Cover will not crack or peel. Rugged blow-molded plastic frame construction. Allows for Twist-in operator presence switch. Seat: 19in W x 24in D x 21in H. Multiple pre-drilled mounting patterns. Grey. Made in U.S.A.
Please note: Due to excessive air freight charges, this item will be shipped ground freight.:*

2	R120-5179	120-5179	Large Seat Cover - Gray	1	
---	------------------	----------	-------------------------	---	--

Gauges and Controls

5	R151541	R&R ON, LY	Delta Seat Switch - Twist Mount 1 Pole Normally Open	1	
---	----------------	---------------	--	---	--

6	R92-6282	62-6282, 92-6282	Switch - Kill - Seat	1	
---	-----------------	---------------------	----------------------	---	--

7	R150229	82-2190	Switch - Operator Presence	1	
---	----------------	---------	----------------------------	---	--

Other Parts Available

10	R3234-11	3234-11	Bolt - Hex Washer HD	4	
----	-----------------	---------	----------------------	---	--

11	R104-4833-03	104-4833-03	Shield - Heat	1	
----	---------------------	-------------	---------------	---	--

12	R104-4847-03	104-4847-03, 121-3655-03	Strap - Seat Support	2	
----	---------------------	-----------------------------	----------------------	---	--

All original equipment manufacturers names and part numbers are used for identification purposes only, and we are in no way implying that our products are original equipment parts. Prices subject to change without notice.



Replaces Toro Groundsmaster 3500-G Parts

*Traction Unit - Model 30809
Battery & Seat*



Item No	R&R Part No.	OEM Part No.	Description	Qty Req	Order Quantity
13	R150224	106-7847 & 107-7959, 107-7959, 119-0654 & 119-0655, 133-8896, 192-8990 & 92-8991, 92-8990, 92-8990/92-8991, 92-8991	Adjusters - Seat (Set of 2)	1	
14	R104-8300	104-8300, 104-8300 , 119-4041	Locknut - 5/16-18 Flanged Y/Zinc	4	
15	R322-2	322-2, 513338P	Bolt - Hex HD 5/16-18 x 5/8	4	
16	R95-8615	95-8615	Tube-Breather	1	
18	R3234-40	3234-40	Bolt - Hx Fl	4	
19	R32128-49	32128-49	Nut - 1/2-13 Hex Flange	4	
21	R32144-10	32140-81, 32144-10, 32144-3, 34-140-AMVD	Bolt - 1/4-20 x 3/4 Serrated Hx Wshr	2	
25	R3234-1	321-11, 3234-1	Bolt - Flanged Serrated Hex HD 3/8-16 x 3/4	4	
27	R95-8854	95-8854	Cable - Battery - Neg	1	
28	R3269-27	3269-27	Rivet - Snap	4	
29	R233-70	233-70, 42619	Knob - Star - Three Prong	2	
30	R99-3602	95-8807, 95-8807-01, 99-3602	Battery Cover Assy	1	
31	R93-7276	93-7276	Decal - Danger	1	
32	R87-7620	87-7620	Shield - Terminal	1	

All original equipment manufacturers names and part numbers are used for identification purposes only, and we are in no way implying that our products are original equipment parts. Prices subject to change without notice.



Replaces Toro Groundsmaster 3500-G Parts

*Traction Unit - Model 30809
Battery & Seat*



Item No	R&R Part No.	OEM Part No.	Description	Qty Req	Order Quantity
33	R32148-6	32148-6	Insert - Nut	2	
35	R3296-29	1-804256, 3290-357, 3296-29, 915662P	Locknut - 5/16-18 ESNA	1	
36	R453011	01-166-0100, 01-166-0120, 01-166-0270, 01-166-0500, 01-166-0600, 01-166-0620, 132-4593, 2356-3, 237-12, 24-10-AD, 24-11-AD, 24-11-BD, 24-12-AD, 24-12-BD, 30-9310, 32-8190, 3256-24, 3256-3, 3256-36, 3256-4, 453011, 47-9950, 48-9220, 513458, 7-0052	Washer - Flat 3/8 SAE Y/Zinc	3	
37	R66-2490	66-2490	Retainer - Battery	1	
38	R32128-43	30-8990, 32128-43, 3290-357	Nut - Flanged Whiz - 3/8-16	12	
39	R95-8796-03	95-8796, 95-8796-03	Support -Battery	1	
40	R3230-6	3230-6	Bolt - Carraige	1	
41	R95-8896	95-8896	Foam	2	

All original equipment manufacturers names and part numbers are used for identification purposes only, and we are in no way implying that our products are original equipment parts. Prices subject to change without notice.



Replaces Toro Groundsmaster 3500-G Parts

*Traction Unit - Model 30809
Battery & Seat*



Item No	R&R Part No.	OEM Part No.	Description	Qty Req	Order Quantity
42	R150848	100-4928, 106-7848, 110-0413, 110-9720, 95-8910	Belt-Seat	1	
43	R3212-4	3212-3, 3212-4, 3212-5	Bolt - Hex HD 7/16-20 x 1 GR5	2	
44	R3253-6	01-166-0710, 23-12-GD, 3253-6, 59-7590	Washer - Lock 7/16 Zinc	2	
45	R95-8568-03	95-8568, 95-8568-03	Frame - Lower	1	
46	R3234-38	3234-38	Bolt - Flanged Hex 1/2-13 x 1-1/4	8	
47	R99-3513	99-3513	Tray - Battery	1	
48	R2412-133	01-651-0160, 2412-133	Clamp	2	
49	R323-14	01-150-0840, 01-178-0624, 20-55-AD, 21-196-AMD, 30-8750, 30-8970, 3224-10, 323-14, 323-20	Bolt - Hex HD 3/8-16 x 3	2	
50	R32144-15	32144-15	Bolt - Hex Washer HD	3	
50	R3274-80	3274-80	Screw Hx HD	3	
51	R32144-1	32144-1, 45-0710	Screw-Taptite	2	

All original equipment manufacturers names and part numbers are used for identification purposes only, and we are in no way implying that our products are original equipment parts. Prices subject to change without notice.