

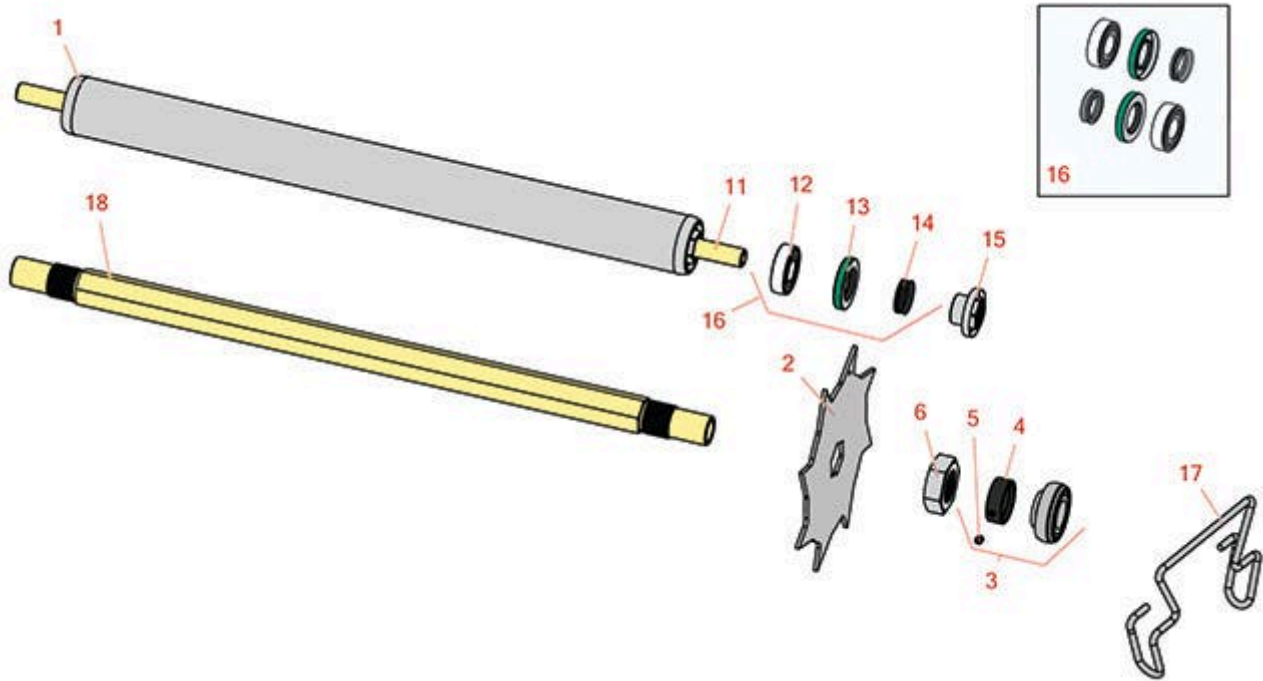


# Replaces Toro Greensmaster TriFlex

## 3300 Parts

Spiker Unit - Model 04723

Spiker Reel & Frame



All original equipment manufacturers names and part numbers are used for identification purposes only, and we are in no way implying that our products are original equipment parts. Prices subject to change without notice.



# Replaces Toro Greensmaster TriFlex

## 3300 Parts

Spiker Unit - Model 04723

Spiker Reel & Frame



Item No	R&R Part No.	OEM Part No.	Description	Qty Req	Order Quantity
---------	--------------	--------------	-------------	---------	----------------

### Roller

1	<b>R140-5560</b>	105-5776, 106-6945, 107-3509, 119-4093, 120-9595, 140-5560	Roller - Smooth 2 in Steel Rear	1	
---	------------------	---	---------------------------------	---	--

### Other Parts Available

2	<b>R121-2241</b>	121-2241	Spiker Blade - 10 GA	10	
3	<b>R71-1360</b>	251-219, 251-253, 251-254, 251-320, 71-1360, 88-7880, 94-3405	Bearing	2	
4	<b>R251-77</b>	251-77	Collar - Bearing	1	
5	<b>R3245-35</b>	3245-35	Screw - Set 1/4-28 x 1/4	1	
6	<b>R3220-18</b>	3220-18, 67-5840	Nut - Jam V-Cut Shaft	2	
11	<b>R119-4090</b>	119-4090	Shaft - Roller - Hardened	1	
12	<b>R251-347</b>	251-347, 72-5690	Bearing - Ball	2	
13	<b>R106-6941</b>	106-6941	Seal - Double Lip	2	
14	<b>R106-6942</b>	106-6942	V-Ring - Roller	2	
15	<b>R108-3151</b>	106-6939, 108-3151	Locknut - Roller - Stainless	2	
16	<b>R107-1594</b>	107-1594	Overhaul Kit - Roller	1	

*Tech Note: Includes 2 ea.: R106-6941 Seals, R106-6942 V-Rings & R251-347 Bearings:*

All original equipment manufacturers names and part numbers are used for identification purposes only, and we are in no way implying that our products are original equipment parts. Prices subject to change without notice.



# Replaces Toro Greensmaster TriFlex

## 3300 Parts

*Spiker Unit - Model 04723*

*Spiker Reel & Frame*



Item No	R&R Part No.	OEM Part No.	Description	Qty Req	Order Quantity
17	<b>R117-6706</b>	117-6706	Clamp - Motor	1	
18	<b>R99-1611</b>	99-1611	Shaft - Spiker	1	

All original equipment manufacturers names and part numbers are used for identification purposes only, and we are in no way implying that our products are original equipment parts. Prices subject to change without notice.