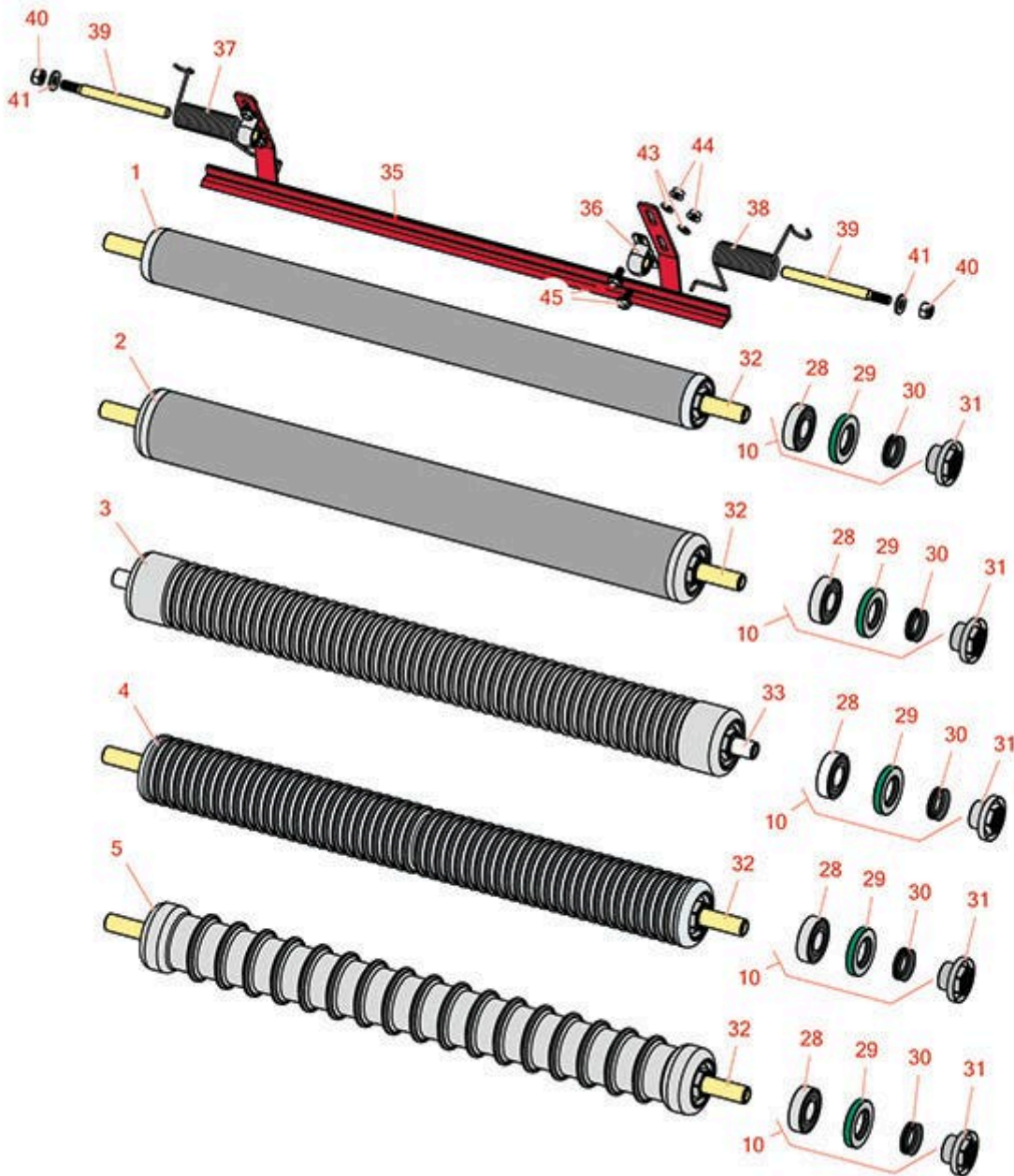




# Replaces Toro Greensmaster TriFlex

## 3300 Parts

DPA Cutting Unit - Models 04613, 04614 & 04615  
Rollers



All original equipment manufacturers names and part numbers are used for identification purposes only, and we are in no way implying that our products are original equipment parts. Prices subject to change without notice.



# Replaces Toro Greensmaster TriFlex 3300 Parts

DPA Cutting Unit - Models 04613, 04614 & 04615  
Rollers



Item No	R&R Part No.	OEM Part No.	Description	Qty Req	Order Quantity
---------	--------------	--------------	-------------	---------	----------------

## Overhaul Kits and Service Tools

10	<b>R107-1594</b>	107-1594	Overhaul Kit - Roller	1	
----	------------------	----------	-----------------------	---	--

*Tech Note: Includes 2 ea.: R106-6941 Seals, R106-6942 V-Rings & R251-347 Bearings:*

## Rollers

1	<b>R140-5560</b>	105-5776, 106-6945, 107-3509, 119-4093, 120-9595, 140-5560	Roller - Smooth 2 in Steel Rear	3	
---	------------------	---------------------------------------------------------------------------	---------------------------------	---	--

2	<b>R115-7388</b>	115-7388	Roller - Smooth Tubular Steel 2-1/2 in Dia	3	
---	------------------	----------	-----------------------------------------------	---	--

*Tech Note: Constructed with a through shaft, this steel roller uses a through shaft and ball bearings.:*

3	<b>R121-4675</b>	121-4675	Roller - Extended Machined Grooved	3	
---	------------------	----------	---------------------------------------	---	--

4	<b>R115-7360</b>	115-7360	Roller - Narrow Grooved Machined Aluminum - 2 1/2	3	
---	------------------	----------	------------------------------------------------------	---	--

*Tech Note: Constructed with a through shaft, this aluminum roller is machined with narrow grooves and uses ball bearings.:*

5	<b>R115-7386</b>	115-7386	Roller - Wide Grooved Machined Aluminum - 2-1/2 Dia	3	
---	------------------	----------	-----------------------------------------------------------	---	--

*Tech Note: Constructed with a through shaft, this aluminum roller is machined with 1-1/8" wide grooves for the least amount of ground contact and uses ball bearings.:*

## Other Parts Available

28	<b>R251-347</b>	251-347, 72-5690	Bearing - Ball	2	
----	-----------------	---------------------	----------------	---	--

29	<b>R106-6941</b>	106-6941	Seal - Double Lip	2	
----	------------------	----------	-------------------	---	--

All original equipment manufacturers names and part numbers are used for identification purposes only, and we are in no way implying that our products are original equipment parts. Prices subject to change without notice.



# Replaces Toro Greensmaster TriFlex 3300 Parts

*DPA Cutting Unit - Models 04613, 04614 & 04615  
Rollers*



Item No	R&R Part No.	OEM Part No.	Description	Qty Req	Order Quantity
30	<b>R106-6942</b>	106-6942	V-Ring - Roller	2	
31	<b>R108-3151</b>	106-6939, 108-3151	Locknut - Roller - Stainless	2	
32	<b>R119-4090</b>	119-4090	Shaft - Roller - Hardened	1	
33	<b>R120-5404</b>	120-5404	Shaft- Roller	1	
35	<b>R106-9095-01</b>	106-9095-01	Scraper - Assy	3	
36	<b>R256-239</b>	256-239	Bearing	6	
37	<b>R106-9093</b>	106-9093	Spring - RH - SS	3	
38	<b>R106-9094</b>	106-9094	Spring - LH - SS	3	
39	<b>R106-9091</b>	106-9091	Pin - Scraper	6	
40	<b>R33024-00</b>	33024-00	Locknut - 8mm x 1.25	2	
41	<b>R33094-00</b>	33094-00, 93-5914	Washer - Flat - 8mm Hardened	2	
43	<b>R24M7139</b>	24M7139, 3256-16, 33093-00, 43-5930	Washer - Flat 6mm	12	
44	<b>R33003-00</b>	33003-00, 65-7980	Hex Nut - Flanged 6-1.0mm	6	
45	<b>R33113-016</b>	33113-016, 48-7620	Bolt - Hex Washer M6-1.0 x 12	12	

All original equipment manufacturers names and part numbers are used for identification purposes only, and we are in no way implying that our products are original equipment parts. Prices subject to change without notice.