

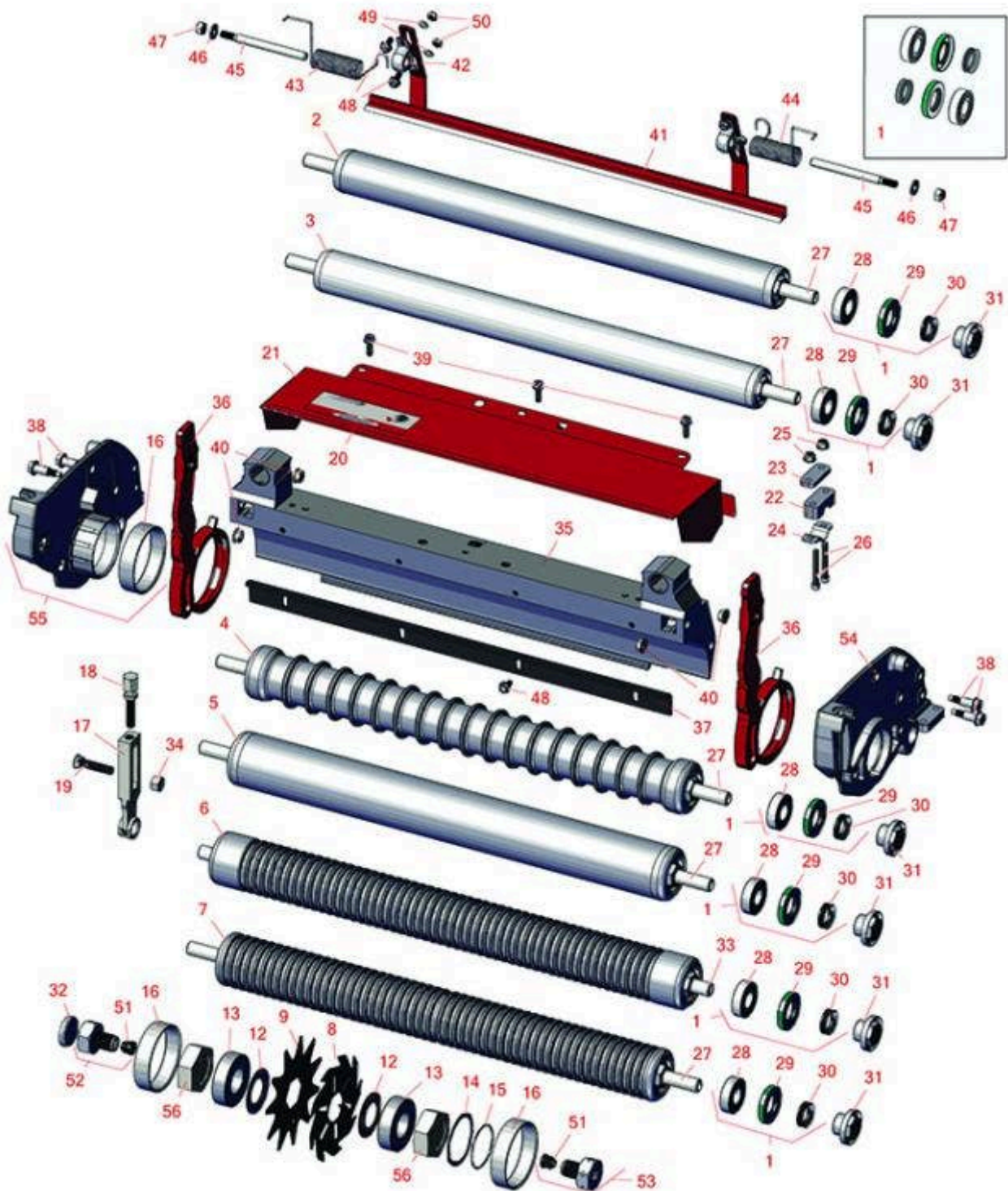


Replaces Toro Greensmaster TriFlex

3300 Parts

Dethatching Unit - Model 04720

Dethatching Reel & Frame



All original equipment manufacturers names and part numbers are used for identification purposes only, and we are in no way implying that our products are original equipment parts. Prices subject to change without notice.



Replaces Toro Greensmaster TriFlex

3300 Parts

Dethatching Unit - Model 04720

Dethatching Reel & Frame



Item No	R&R Part No.	OEM Part No.	Description	Qty Req	Order Quantity
---------	--------------	--------------	-------------	---------	----------------

Overhaul Kits and Service Tools

1	R107-1594	107-1594	Overhaul Kit - Roller	1	
---	------------------	----------	-----------------------	---	--

Tech Note: Includes 2 ea.: R106-6941 Seals, R106-6942 V-Rings & R251-347 Bearings:

2	R140-5560	105-5776, 106-6945, 107-3509, 119-4093, 120-9595, 140-5560	Roller - Smooth 2 in Steel Rear	0	
---	------------------	---	---------------------------------	---	--

3	R115-7356	115-7356	Roller - Smooth Tubular Aluminum - 2 in Dia	1	
---	------------------	----------	---	---	--

Tech Note: Constructed with a through shaft, this light weight aluminum roller uses a through shaft and ball bearings.:

4	R115-7386	115-7386	Roller - Wide Grooved Machined Aluminum - 2-1/2 Dia	1	
---	------------------	----------	---	---	--

Tech Note: Constructed with a through shaft, this aluminum roller is machined with 1-1/8" wide grooves for the least amount of ground contact and uses ball bearings.:

5	R115-7388	115-7388	Roller - Smooth Tubular Steel 2-1/2 in Dia	1	
---	------------------	----------	--	---	--

Tech Note: Constructed with a through shaft, this steel roller uses a through shaft and ball bearings.:

6	R121-4675	121-4675	Roller - Extended Machined Grooved	1	
---	------------------	----------	------------------------------------	---	--

7	R115-7360	115-7360	Roller - Narrow Grooved Machined Aluminum - 2 1/2	1	
---	------------------	----------	---	---	--

Tech Note: Constructed with a through shaft, this aluminum roller is machined with narrow grooves and uses ball bearings.:

Blades

8	R117-6824	117-6824	Blade - Carbide Tipped 1.2mm 1 5/16 Hex	36	
---	------------------	----------	---	----	--

All original equipment manufacturers names and part numbers are used for identification purposes only, and we are in no way implying that our products are original equipment parts. Prices subject to change without notice.



Replaces Toro Greensmaster TriFlex

3300 Parts

Dethatching Unit - Model 04720

Dethatching Reel & Frame



Item No	R&R Part No.	OEM Part No.	Description	Qty Req	Order Quantity
<i>Tech Note: 9 TOOTH BLADE:</i>					
8	R119-1128	119-1128	Blade - Carbide Tipped 2mm 1 5/16 Hex	36	
9	R121-6674	121-6674	Blade - Verti-Cut 1 5/16 Hex ID	36	
Other Parts Available					
12	R115-3299	115-3299	Seal- Flocked	2	
13	R115-3296	115-3296	Bearing	2	
13	R140-5510	140-5510	Bearing - Sealed Stainless	2	
14	R105-5700	105-5700, 115-5258	Wave Washer - Bearing	1	
15	R360-0398	360-0398	O-Ring	1	
16	R117-6619	117-6619	Bushing	2	
17	R115-7041	115-7041	Bracket - Front Roller 5 1/4 in	2	
18	R110-7352	110-7352	Screw - HOC 2 5/8 Stainless	2	
19	R99-3773	99-3773	Bolt- Plow 3/8-16 x 1 3/4	2	
20	R354083	104-7729, 354083	Decal - Danger	1	
20	R137-9706	137-9706	Decal- Warning	1	
21	R119-4095	119-4095	Grass Shield Assy	1	
22	R105-5710	105-5710, 119-4166	Spacer - Roller	2	
23	R105-5711	105-5711, 119-4165	Shim - Roller	2	
24	R105-5712	105-5712, 119-4157	Retainer - Roller	2	

All original equipment manufacturers names and part numbers are used for identification purposes only, and we are in no way implying that our products are original equipment parts. Prices subject to change without notice.



Replaces Toro Greensmaster TriFlex

3300 Parts

Dethatching Unit - Model 04720

Dethatching Reel & Frame



Item No	R&R Part No.	OEM Part No.	Description	Qty Req	Order Quantity
25	R119-4040	119-4040	Nut - 1/4-20 Fl Locknut	4	
26	R119-4035	119-4035	Bolt - 1/4-20 x 1 3/4 Soc HD Cap Scr	4	
27	R119-4090	119-4090	Shaft - Roller - Hardened	1	
28	R251-347	251-347, 72-5690	Bearing - Ball	2	
29	R106-6941	106-6941	Seal - Double Lip	2	
30	R106-6942	106-6942	V-Ring - Roller	2	
31	R108-3151	106-6939, 108-3151	Locknut - Roller - Stainless	2	
32	R105-5708	105-5708, 121-46009, 121-4609	Plug - Expansion	1	
33	R120-5404	120-5404	Shaft- Roller	1	
34	R115-7193	115-7193	Nut-HOC	2	
35	R119-9303	105-5799, 119-9303	Frame - Crossmember	1	
36	R119-9307-01	119-9307-01	Arm - Pitch	2	
37	R115-3303-03	115-3303-03	Bar - Cutoff	1	
38	R115-7042	115-7042	Bolt-Shoulder, Flange	4	
39	R119-4012	119-4012	Screw - Hx Washer HD Self Threading	3	
40	R104-8300	104-8300, 104-8300 , 119-4041	Locknut - 5/16-18 Flanged Y/Zinc	4	
41	R106-9095-01	106-9095-01	Scraper - Assy	1	
42	R256-239	256-239	Bearing	2	

All original equipment manufacturers names and part numbers are used for identification purposes only, and we are in no way implying that our products are original equipment parts. Prices subject to change without notice.



Replaces Toro Greensmaster TriFlex 3300 Parts

Dethatching Unit - Model 04720
Dethatching Reel & Frame



Item No	R&R Part No.	OEM Part No.	Description	Qty Req	Order Quantity
43	R106-9093	106-9093	Spring - RH - SS	1	
44	R106-9094	106-9094	Spring - LH - SS	1	
45	R106-9091	106-9091	Pin - Scraper	2	
46	R33094-00	33094-00, 93-5914	Washer - Flat - 8mm Hardened	2	
47	R33024-00	33024-00	Locknut - 8mm x 1.25	2	
48	R33113-016	33113-016, 48-7620	Bolt - Hex Washer M6-1.0 x 12	4	
49	R24M7139	24M7139, 3256-16, 33093-00, 43-5930	Washer - Flat 6mm	4	
50	R33023-00	33023-00, 48-7900, 49-7810	Locknut - ESNA 6mm x 1.0	4	
51	R120-3220	120-3220	Plug - Plastic	2	
52	R117-6829	117-6829	RH Nut Assy	1	
53	R117-6828	117-6828	LH Nut Assy	1	
<i>Tech Note: Ser# 316999999-403430000:</i>					
53	R120-3221	120-3221	Reel Nut Assy - LH	1	
<i>Tech Note: Ser# 410400000-999999999:</i>					
54	R119-4005	119-4005	Side Plate Assy-LH Incl R117-6619	1	
55	R119-4007	119-4007	Side Plate Assy-RH Incl R117-6619	1	
56	R3220-25	3220-25	Nut - Jam 1-3/8-12	2	

All original equipment manufacturers names and part numbers are used for identification purposes only, and we are in no way implying that our products are original equipment parts. Prices subject to change without notice.