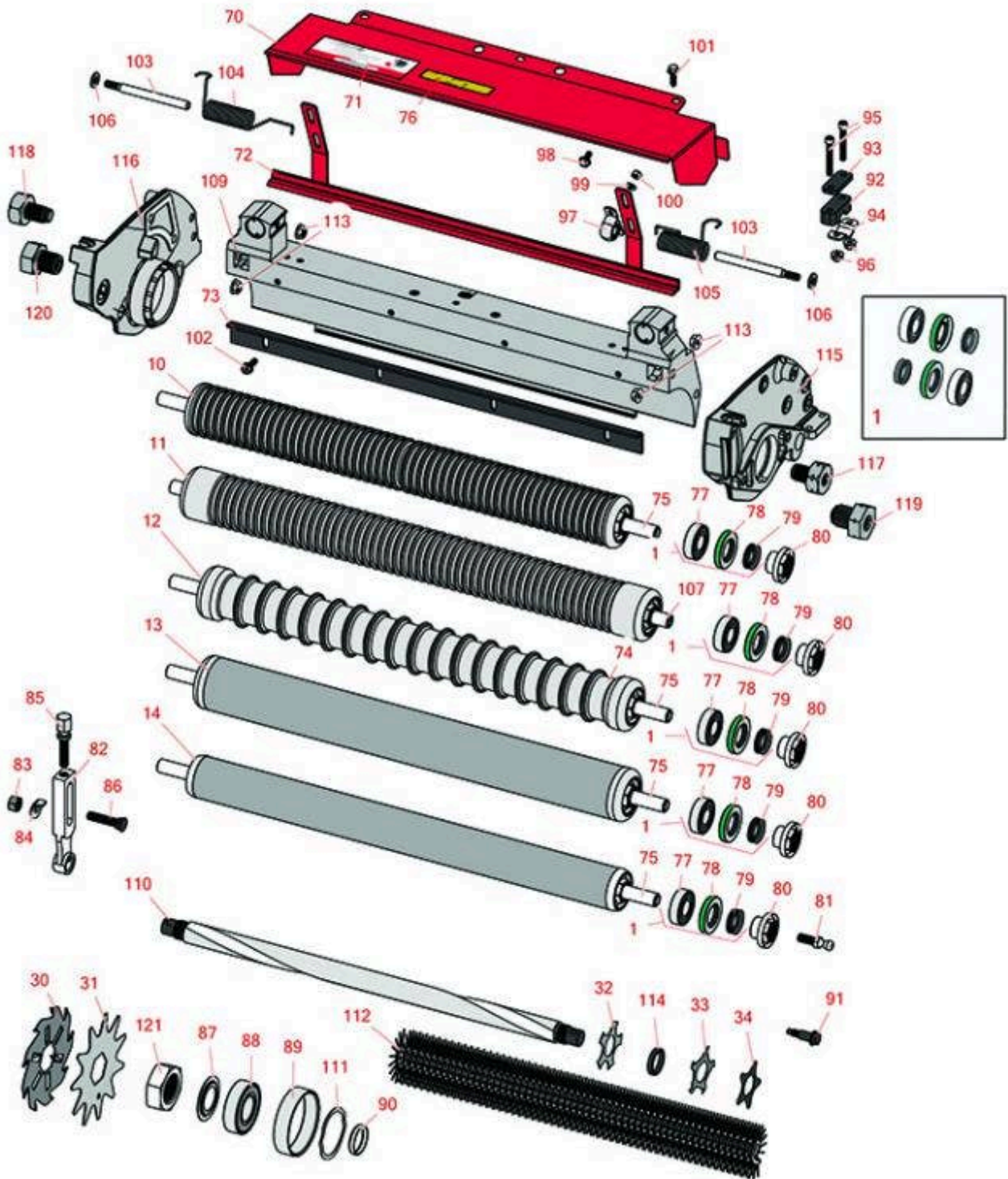




# Replaces Toro Greensmaster 3050 Parts

Dethatcher Unit - Model 04479

Dethatching Reel & Frame



All original equipment manufacturers names and part numbers are used for identification purposes only, and we are in no way implying that our products are original equipment parts. Prices subject to change without notice.



# Replaces Toro Greensmaster 3050 Parts

Dethatcher Unit - Model 04479

Dethatching Reel & Frame



Item No	R&R Part No.	OEM Part No.	Description	Qty Req	Order Quantity
---------	--------------	--------------	-------------	---------	----------------

## Overhaul Kit

1	<b>R107-1594</b>	107-1594	Overhaul Kit - Roller	0	
---	------------------	----------	-----------------------	---	--

*Tech Note: Includes 2 ea.: R106-6941 Seals, R106-6942 V-Rings & R251-347 Bearings:*

## R&R Rollers

10	<b>R115-7360</b>	115-7360	Roller - Narrow Grooved Machined Aluminum - 2 1/2	1	
----	------------------	----------	--	---	--

*Tech Note: Constructed with a through shaft, this aluminum roller is machined with narrow grooves and uses ball bearings.:*

11	<b>R121-4675</b>	121-4675	Roller - Extended Machined Grooved	1	
----	------------------	----------	---------------------------------------	---	--

12	<b>R115-7386</b>	115-7386	Roller - Wide Grooved Machined Aluminum - 2-1/2 Dia	1	
----	------------------	----------	--	---	--

*Tech Note: Constructed with a through shaft, this aluminum roller is machined with 1-1/8" wide grooves for the least amount of ground contact and uses ball bearings.:*

13	<b>R115-7388</b>	115-7388	Roller - Smooth Tubular Steel 2-1/2 in Dia	1	
----	------------------	----------	---	---	--

*Tech Note: Constructed with a through shaft, this steel roller uses a through shaft and ball bearings.:*

14	<b>R140-5560</b>	105-5776, 106-6945, 107-3509, 119-4093, 120-9595, 140-5560	Roller - Smooth 2 in Steel Rear	1	
----	------------------	---	---------------------------------	---	--

## Blades

30	<b>R117-6824</b>	117-6824	Blade - Carbide Tipped 1.2mm 1 5/16 Hex	36	
----	------------------	----------	--	----	--

*Tech Note: 9 TOOTH BLADE:*

30	<b>R119-1128</b>	119-1128	Blade - Carbide Tipped 2mm 1 5/16 Hex	36	
----	------------------	----------	--	----	--

All original equipment manufacturers names and part numbers are used for identification purposes only, and we are in no way implying that our products are original equipment parts. Prices subject to change without notice.



# Replaces Toro Greensmaster 3050 Parts

*Dethatcher Unit - Model 04479*

*Dethatching Reel & Frame*



Item No	R&R Part No.	OEM Part No.	Description	Qty Req	Order Quantity
31	<b>R121-6674</b>	121-6674	Blade - Verti-Cut 1 5/16 Hex ID	36	
32	<b>R132-4626</b>	132-4626	Groomer Blade - Helix .035 Thick	81	
33	<b>R121-9531</b>	121-9531	Groomer Blade - Carbide Tipped - Helix 1mm	40	
34	<b>R110-2333</b>	110-2333	Groomer Blade - Helix .028 Thick	40	
<b>Other Parts Available</b>					
70	<b>R119-4095</b>	119-4095	Grass Shield Assy	1	
71	<b>R354083</b>	104-7729, 354083	Decal - Danger	1	
72	<b>R106-9095-01</b>	106-9095-01	Scraper - Assy	1	
73	<b>R115-3303-03</b>	115-3303-03	Bar - Cutoff	1	
74	<b>R99-6216</b>	99-6216	Tube - Grooved - 1 1/8 Spacing	1	
75	<b>R119-4090</b>	119-4090	Shaft - Roller - Hardened	1	
76	<b>R137-9706</b>	137-9706	Decal- Warning	1	
77	<b>R251-347</b>	251-347, 72-5690	Bearing - Ball	2	
78	<b>R106-6941</b>	106-6941	Seal - Double Lip	2	
79	<b>R106-6942</b>	106-6942	V-Ring - Roller	2	
80	<b>R108-3151</b>	106-6939, 108-3151	Locknut - Roller - Stainless	2	
81	<b>R94-2958</b>	94-2958	Stud - Alloy Ball Joint	2	
82	<b>R115-7041</b>	115-7041	Bracket - Front Roller 5 1/4 in	2	
83	<b>R115-7193</b>	115-7193	Nut-HOC	2	

All original equipment manufacturers names and part numbers are used for identification purposes only, and we are in no way implying that our products are original equipment parts. Prices subject to change without notice.



# Replaces Toro Greensmaster 3050 Parts

*Dethatcher Unit - Model 04479*

*Dethatching Reel & Frame*



Item No	R&R Part No.	OEM Part No.	Description	Qty Req	Order Quantity
84	<b>R104-2603</b>	104-2603, 119-4158	Washer - HOC Bracket	2	
85	<b>R110-7352</b>	110-7352	Screw - HOC 2 5/8 Stainless	2	
86	<b>R99-3773</b>	99-3773	Bolt- Plow 3/8-16 x 1 3/4	2	
87	<b>R115-3299</b>	115-3299	Seal- Flocked	2	
88	<b>R115-3296</b>	115-3296	Bearing	2	
88	<b>R140-5510</b>	140-5510	Bearing - Sealed Stainless	2	
89	<b>R117-6619</b>	117-6619	Bushing	2	
90	<b>R105-5708</b>	105-5708, 121-46009, 121-4609	Plug - Expansion	2	
91	<b>R115-7042</b>	115-7042	Bolt-Shoulder, Flange	2	
92	<b>R105-5710</b>	105-5710, 119-4166	Spacer - Roller	2	
93	<b>R105-5711</b>	105-5711, 119-4165	Shim - Roller	2	
94	<b>R105-5712</b>	105-5712, 119-4157	Retainer - Roller	2	
95	<b>R119-4035</b>	119-4035	Bolt - 1/4-20 x 1 3/4 Soc HD Cap Scr	4	
96	<b>R119-4040</b>	119-4040	Nut - 1/4-20 Fl Locknut	4	
97	<b>R256-239</b>	256-239	Bearing	2	
98	<b>R33113-016</b>	33113-016, 48-7620	Bolt - Hex Washer M6-1.0 x 12	4	
99	<b>R24M7139</b>	24M7139, 3256-16, 33093-00, 43-5930	Washer - Flat 6mm	4	

All original equipment manufacturers names and part numbers are used for identification purposes only, and we are in no way implying that our products are original equipment parts. Prices subject to change without notice.



# Replaces Toro Greensmaster 3050 Parts

*Dethatcher Unit - Model 04479*

*Dethatching Reel & Frame*



Item No	R&R Part No.	OEM Part No.	Description	Qty Req	Order Quantity
100	<b>R33023-00</b>	33023-00, 48-7900, 49-7810	Locknut - ESNA 6mm x 1.0	4	
101	<b>R131-6150</b>	131-6150	Screw- 1/4-20 x 3/4 Hx Wh Thread Forming	7	
102	<b>R119-4012</b>	119-4012	Screw - Hx Washer HD Self Threading	7	
103	<b>R106-9091</b>	106-9091	Pin - Scraper	2	
104	<b>R106-9093</b>	106-9093	Spring - RH - SS	1	
105	<b>R106-9094</b>	106-9094	Spring - LH - SS	1	
106	<b>R33094-00</b>	33094-00, 93-5914	Washer - Flat - 8mm Hardened	2	
107	<b>R120-5404</b>	120-5404	Shaft- Roller	1	
109	<b>R119-9303</b>	105-5799, 119-9303	Frame - Crossmember	1	
110	<b>R125-3478</b>	125-3478	Groomer Shaft Assy	1	
111	<b>R105-5700</b>	105-5700, 115-5258	Wave Washer - Bearing	1	
112	<b>R105-9635</b>	105-9635	Brush - Groomer	1	
113	<b>R104-8300</b>	104-8300, 104-8300, 119-4041	Locknut - 5/16-18 Flanged Y/Zinc	4	
114	<b>R70-1350</b>	70-1350	Spacer - 1/4 Fits Groomer Shaft	80	
115	<b>R119-4005</b>	119-4005	Side Plate Assy-LH Incl R117-6619	1	
116	<b>R119-4007</b>	119-4007	Side Plate Assy-RH Incl R117-6619	1	
117	<b>R117-6828</b>	117-6828	LH Nut Assy	1	
118	<b>R117-6829</b>	117-6829	RH Nut Assy	1	

All original equipment manufacturers names and part numbers are used for identification purposes only, and we are in no way implying that our products are original equipment parts. Prices subject to change without notice.



# Replaces Toro Greensmaster 3050 Parts

*Dethatcher Unit - Model 04479*

*Dethatching Reel & Frame*



Item No	R&R Part No.	OEM Part No.	Description	Qty Req	Order Quantity
119	<b>R120-3221</b>	120-3221	Reel Nut Assy - LH	1	
120	<b>R120-3222</b>	120-3222	Reel Nut Assy - RH	1	
121	<b>R3220-25</b>	3220-25	Nut - Jam 1-3/8-12	2	

All original equipment manufacturers names and part numbers are used for identification purposes only, and we are in no way implying that our products are original equipment parts. Prices subject to change without notice.