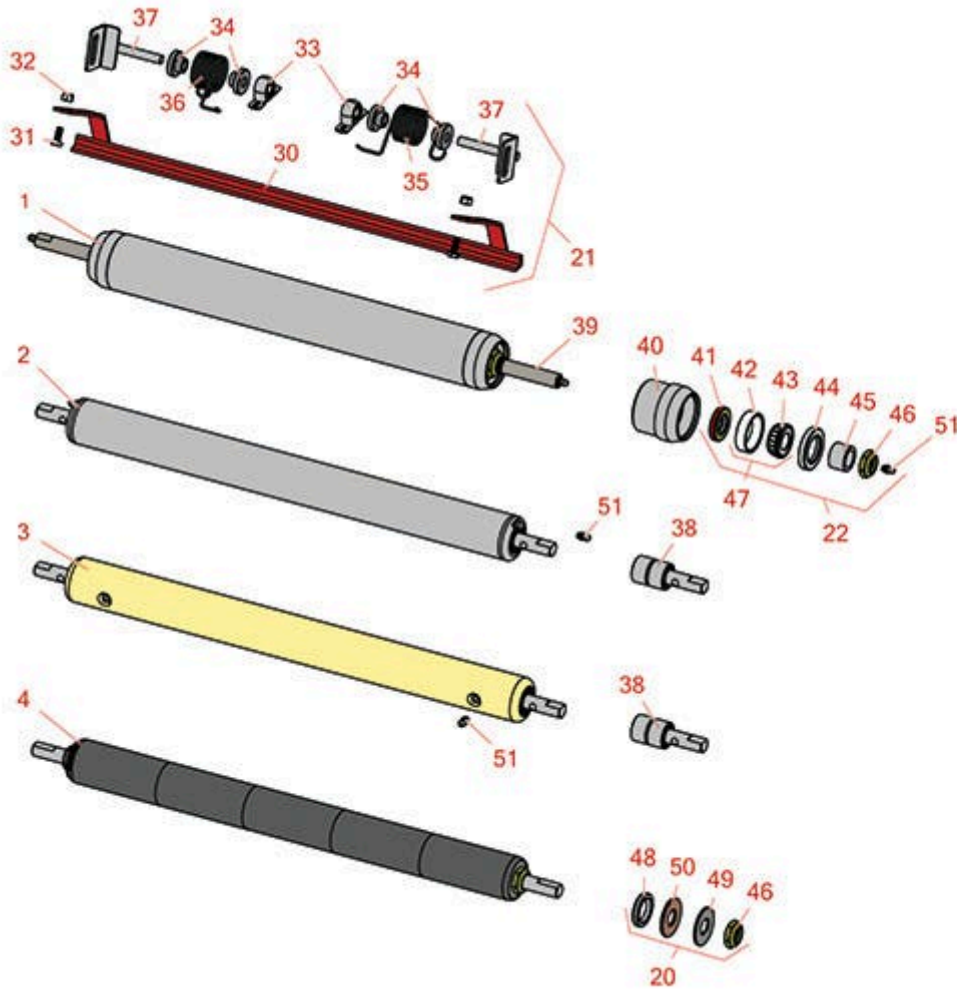




Replaces Toro Greensmaster 3000 Parts

SPA Cutting Unit - Models 04460, 04465 & 04478
Rear Rollers



All original equipment manufacturers names and part numbers are used for identification purposes only, and we are in no way implying that our products are original equipment parts. Prices subject to change without notice.



Replaces Toro Greensmaster 3000 Parts

SPA Cutting Unit - Models 04460, 04465 & 04478
Rear Rollers



| Item No | R&R Part No. | OEM Part No. | Description | Qty Req | Order Quantity |
|---------|--------------|--------------|-------------|---------|----------------|
|---------|--------------|--------------|-------------|---------|----------------|

R&R Rear Rollers

| | | | | |
|---|----------------|--------|--|---|
| 1 | R150692 | 150692 | Roller - Smooth Heavy Duty Tubular Steel | 0 |
|---|----------------|--------|--|---|

Tech Note: Constructed with a through shaft, this heavy duty roller uses tapered bearings for extended life.:

| | | | | |
|---|-----------------|---------|-------------------------------|---|
| 2 | R21-8450 | 21-8450 | Roller - Smooth Tubular Steel | 0 |
|---|-----------------|---------|-------------------------------|---|

Tech Note: Constructed with greasable "water-pump" style bearings. :

| | | | | |
|---|----------------|--------|-----------------------------|---|
| 3 | R150300 | 150300 | Roller - Smooth Solid Steel | 0 |
|---|----------------|--------|-----------------------------|---|

Tech Note: Machined from solid steel, this heavy weight roller uses greasable "water-pump" style bearings.:

| | | | | |
|---|----------------|--------|-----------------------------------|---|
| 4 | R150341 | 150341 | Roller - Smooth UHMW Polyethylene | 0 |
|---|----------------|--------|-----------------------------------|---|

Tech Note: Machined from solid UHMW, this low maintenance roller uses a 1" solid stainless steel shaft and requires no grease. UHMW material prevents build-up of debris.:

Overhaul Kits

| | | | | |
|----|----------------|--|----------------------------|---|
| 20 | R101395 | | Overhaul Kit - UHMW Roller | 0 |
|----|----------------|--|----------------------------|---|

Tech Note: Fits all R&R 2" Dia. Black UHMW Polyethylene Rollers. Includes 10 ea.: R150322 Roll Pins; 2 ea.: R3296-15 Locknuts, R150347T Teflon Seals, R150333 Thrust Washers, & R150334A Bronze Thrust Washers:

| | | | | |
|----|-----------------|---------------------|---------------------------------|---|
| 21 | R53-9240 | 42-4820, 53-9240 | Scraper Kit - Rear Roller SET/3 | 1 |
|----|-----------------|---------------------|---------------------------------|---|

Tech Note: Includes 12 ea: R19-9560 Spacer, R32152-4 Locknut, R400106 Bolt; 6 ea: R256-239 Bearing, R53-9250 Bracket; 3 ea: R19-9540 Spring, R19-9550 Spring, R42-4800 Scraper Bar:

| | | | | |
|----|----------------|--|-----------------------|---|
| 22 | R100136 | | Overhaul Kit - Roller | 0 |
|----|----------------|--|-----------------------|---|

Tech Note: Includes 2 ea.: R150674 Wear Sleeves, R253-152 Seals, R253-117 Seals, R254-78 Bearings, R254-79 Bearing Cups, R3296-15 Locknuts & R302-5 Grease Fittings:

Other Parts Available

All original equipment manufacturers names and part numbers are used for identification purposes only, and we are in no way implying that our products are original equipment parts. Prices subject to change without notice.



Replaces Toro Greensmaster 3000 Parts

SPA Cutting Unit - Models 04460, 04465 & 04478
Rear Rollers



| Item No | R&R Part No. | OEM Part No. | Description | Qty Req | Order Quantity |
|--|-----------------|---|----------------------------|---------|----------------|
| 30 | R42-4800 | 42-4800 | Bar - Scraper Rear Roller | 1 | |
| 31 | R400106 | 321-3, 513315, 908002P | Bolt - Hex HD 1/4-20 x 5/8 | 4 | |
| 32 | R32152-4 | 32152-4 | Locknut - 1/4-20 All Metal | 4 | |
| 33 | R256-239 | 256-239 | Bearing | 2 | |
| 34 | R19-9560 | 19-9560 | Spacer - Spring | 4 | |
| 35 | R19-9540 | 19-9540 | Spring - Torsion LH | 1 | |
| 36 | R19-9550 | 19-9550 | Spring - Torsion RH | 1 | |
| 37 | R53-9250 | 53-9250 | Bracket - Scraper Mount | 2 | |
| 38 | R21-8430 | 21-8430 | Bearing - Roller | 2 | |
| 39 | R150693 | | Shaft - HD Rear Roller | 1 | |
| 40 | R61-0380 | 61-0380 | Roller End - Cap Solid | 2 | |
| 41 | R253-152 | 253-116, 253-152 | Seal - Inner Roller | 2 | |
| 42 | R254-79 | 01-103-0060, 01-103-0130, 1-633584, 252-106, 254-79, 32-7800, 32-9590 | Cup - Bearing | 2 | |
| <i>Tech Note: Use R254-79M installation mandrel to properly install race.:</i> | | | | | |
| 43 | R254-78 | 01-102-0060, 01-102-0130, 1-633585, 254-78, 32-7790, 32-9580, 93-4813 | Tapered Bearing Cone | 2 | |

All original equipment manufacturers names and part numbers are used for identification purposes only, and we are in no way implying that our products are original equipment parts. Prices subject to change without notice.



Replaces Toro Greensmaster 3000 Parts

SPA Cutting Unit - Models 04460, 04465 & 04478
Rear Rollers



| Item No | R&R Part No. | OEM Part No. | Description | Qty Req | Order Quantity |
|---------|-----------------|--|-------------------------------|---------|----------------|
| 44 | R253-117 | 253-117, 253-165 | Seal - Outer Triple Lip | 2 | |
| 45 | R150674 | | Sleeve - Wear 3/4 Plated | 2 | |
| 46 | R3296-15 | 116-7306, 32118-5, 32127-23, 32127-47, 3296-15 | Locknut - 3/4-16 Nylon Jam | 2 | |
| 47 | R500534 | 1-633585 | Bearing - with Cup | 2 | |
| 48 | R150347T | | Seal - Nonstick Lip | 2 | |
| 49 | R150333 | | Washer - Flat Keyed Outer SS | 2 | |
| 50 | R150334A | | Washer - Thrust SAE660 Bronze | 2 | |
| 51 | R302-5 | 21-6010, 302-11, 302-37, 302-47, 302-5, 302-57, 302-58, 302-6, 31-0300, 32-9660, 60-0800, 62-3880, 92-4181 | Fitting - Grease | 6 | |

All original equipment manufacturers names and part numbers are used for identification purposes only, and we are in no way implying that our products are original equipment parts. Prices subject to change without notice.