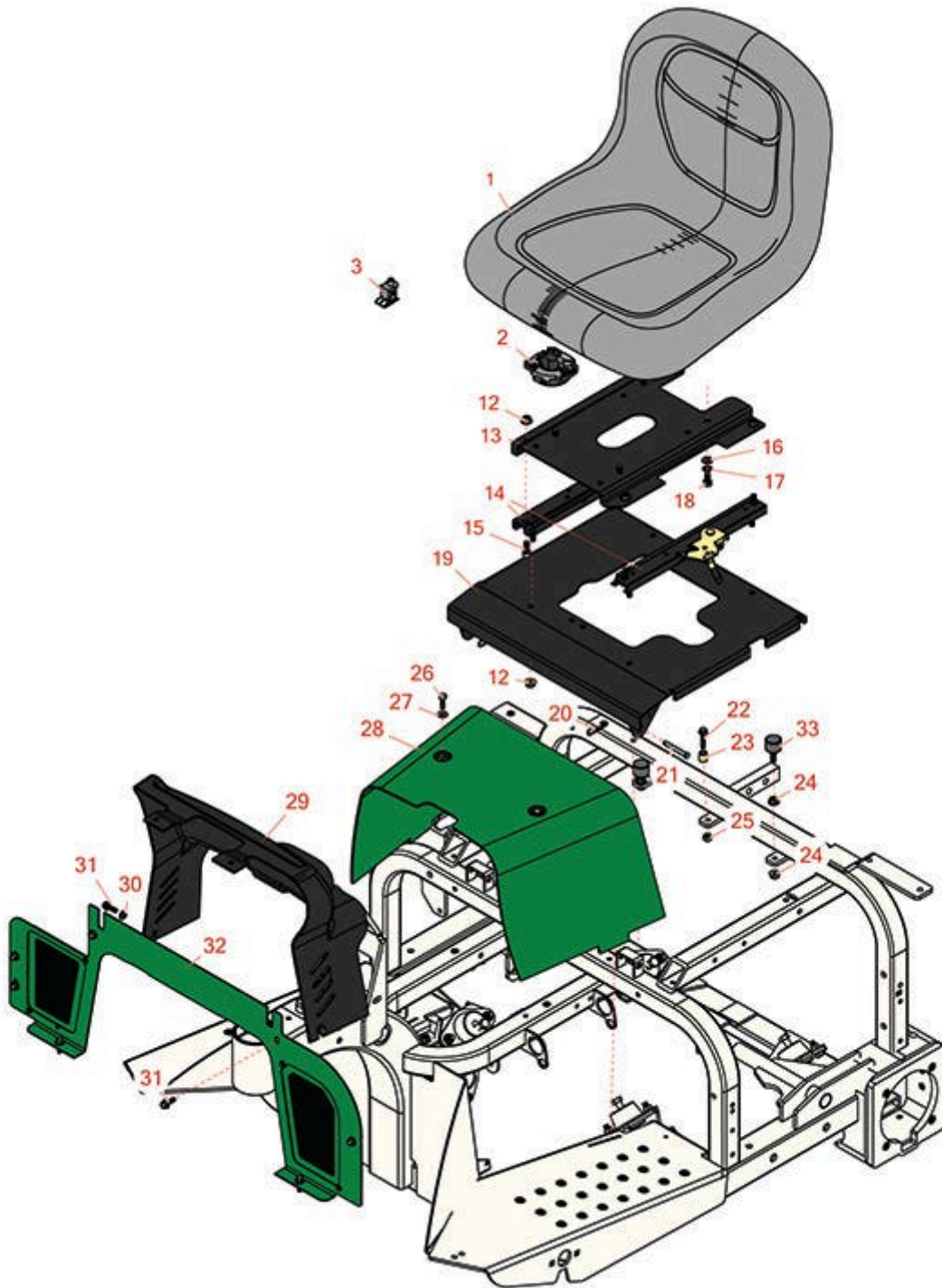




# Replaces R&R Products Sand Max 416

## Parts

Traction Unit  
Seat & Shroud



All original equipment manufacturers names and part numbers are used for identification purposes only, and we are in no way implying that our products are original equipment parts. Prices subject to change without notice.



# Replaces R&R Products Sand Max 416

## Parts

Traction Unit  
Seat & Shroud



Item No	R&R Part No.	OEM Part No.	Description	Qty Req	Order Quantity
---------	--------------	--------------	-------------	---------	----------------

1	<b>RMXB150GY</b>	R17-4980, R27-5170, R62-9040, R66-6681, R66-7510, R750106, R76-1401, R92-8976	Milsco Seat XB150 - Grey	0	
---	------------------	--	--------------------------	---	--

*Detail Description: The Milsco XB150 Seat is a durable bucket-style seat designed with a blow molded corrosion-resistant plastic frame. The ergonomic vacuum-formed vinyl cushions are waterproof and ensure operator comfort. Covers will not crack or peel. Central drain hole prevents water build-up. Accepts operator presence switch. Seat: 18.75in W x 15.5in H. Grey. Made in U.S.A.<BR>Please note: Due to excessive air freight charges, this item will be shipped ground freight.:*

1	<b>R120-5178</b>		Small Seat Cover - Gray	1	
---	------------------	--	-------------------------	---	--

### Gauges and Controls

2	<b>R151541</b>		Delta Seat Switch - Twist Mount 1 Pole Normally Open	1	
---	----------------	--	--	---	--

3	<b>R150229</b>	R82-2190	Switch - Operator Presence	1	
---	----------------	----------	----------------------------	---	--

### Other Parts Available

12	<b>R104-8300</b>	R119-4041	Locknut - 5/16-18 Flanged Y/Zinc	8	
----	------------------	-----------	----------------------------------	---	--

13	<b>R108-7931-03</b>		Base-Seat	1	
----	---------------------	--	-----------	---	--

14	<b>R150228</b>	R351-63, R51-0780	Adjusters - Seat (Set of 2)	1	
----	----------------	----------------------	-----------------------------	---	--

15	<b>R434024</b>	434024, R3274-12	Bolt - Soc HD Cap 5/16-18 x 3/4	4	
----	----------------	---------------------	---------------------------------	---	--

All original equipment manufacturers names and part numbers are used for identification purposes only, and we are in no way implying that our products are original equipment parts. Prices subject to change without notice.



# Replaces R&R Products Sand Max 416

## Parts

*Traction Unit  
Seat & Shroud*



Item No	R&R Part No.	OEM Part No.	Description	Qty Req	Order Quantity
16	<b>R453009</b>	3256-3, R01-166-0400, R24-10-BD, R24-9-AD, R24H1136, R32-9650, R3256-2, R3256-23, R3256-67, R3290-217, R3556-3, R4-2390, R452006, R7-0152	Washer - Flat 5/16 SAE	4	
17	<b>R3254-2</b>		Washer-Lock, 5/16 Int Star	4	
18	<b>R322-2</b>	R513338P	Bolt - Hex HD 5/16-18 x 5/8	4	
19	<b>R108-7935-03</b>		Shroud-Seat	1	
20	<b>R3290-307</b>		Pin-Hair	2	
21	<b>R283-82</b>	R283-23	Pin-Clevis	2	
22	<b>R32108-9</b>		Screw - 1/4-20x1 3/4 Flat Head	1	
23	<b>R609588</b>		Spacer	1	
24	<b>R3218-1</b>		Nut-Jam	4	
25	<b>R301504</b>	R32127-24, R32146-17, R3296-16, R3296-42, R915661P, RM40333	Locknut - ESNA 1/4-20	2	
26	<b>R321-5</b>	R321-31, R400110	Bolt - Hex HD 1/4-20 x 7/8	2	
27	<b>R453023</b>	R3256-1, R3256-72	Washer - Flat 1/4	2	
28	<b>R108-6859G</b>		Shroud-Center - Green	1	

All original equipment manufacturers names and part numbers are used for identification purposes only, and we are in no way implying that our products are original equipment parts. Prices subject to change without notice.



# Replaces R&R Products Sand Max 416

## Parts

*Traction Unit  
Seat & Shroud*



Item No	R&R Part No.	OEM Part No.	Description	Qty Req	Order Quantity
29	<b>R108-6898</b>		Shroud-Dash	1	
30	<b>R3256-22</b>	R09061, R24-9-BD, R3-1032, R93-0954, R93-0989	Washer - Flat 1/4 Yellow	2	
31	<b>R32144-10</b>	R32140-81, R32144-3, R34-140-AMVD	Bolt - 1/4-20 x 3/4 Serrated Hx Wshr	9	
32	<b>R108-7906G</b>		Panel-Front - Green	1	
33	<b>R1-523420</b>		Bumper - Rubber	2	

All original equipment manufacturers names and part numbers are used for identification purposes only, and we are in no way implying that our products are original equipment parts. Prices subject to change without notice.