

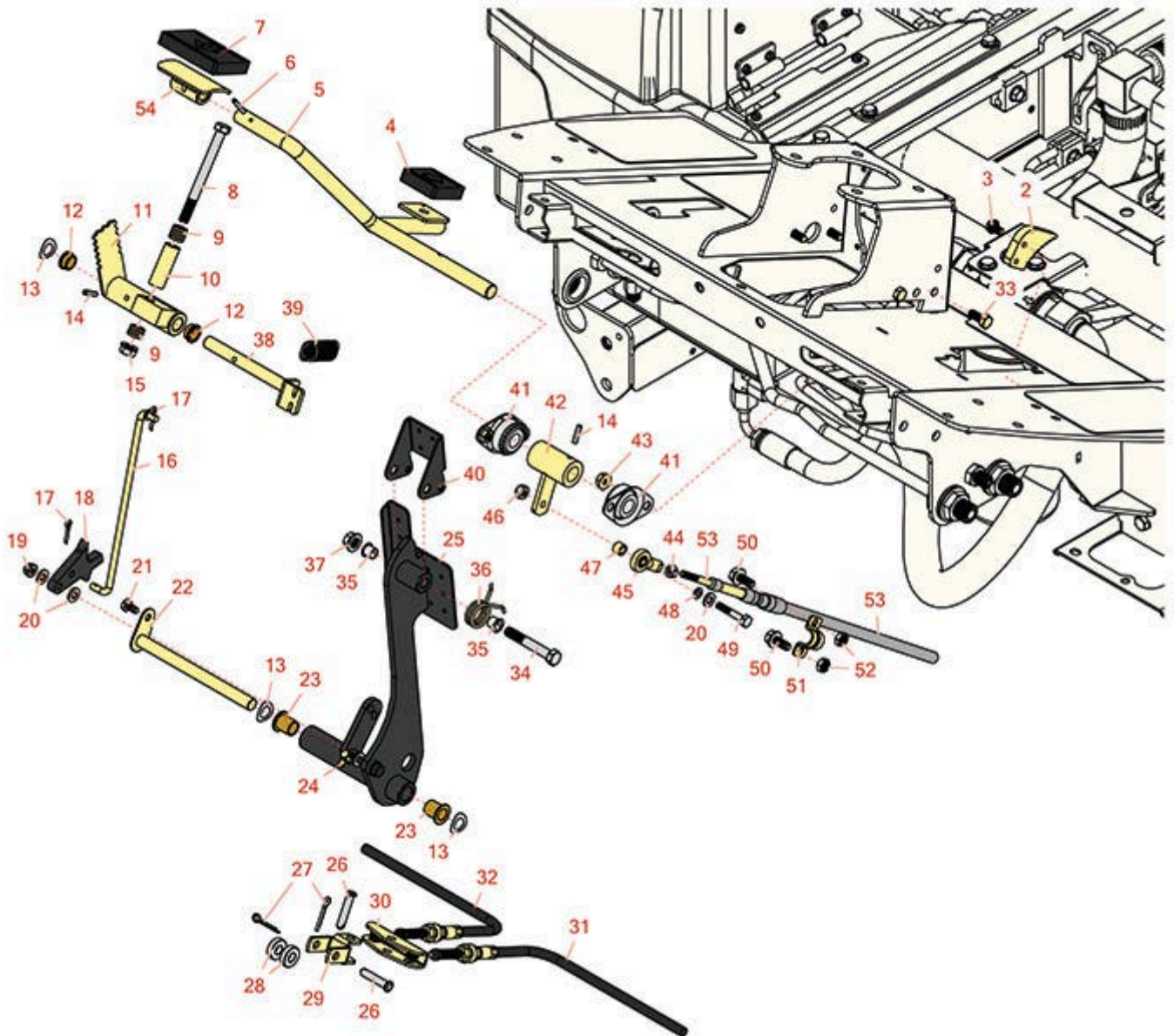


# Replaces R&R Products Reel Max 744LP

## Parts

*Traction Unit*

*Traction & Brake*



All original equipment manufacturers names and part numbers are used for identification purposes only, and we are in no way implying that our products are original equipment parts. Prices subject to change without notice.



# Replaces R&R Products Reel Max 744LP

## Parts

*Traction Unit*

*Traction & Brake*



Item No	R&R Part No.	OEM Part No.	Description	Qty Req	Order Quantity
---------	--------------	--------------	-------------	---------	----------------

### Other Parts Available

2	<b>R99-7214</b>		Pawl - Brake	1	
3	<b>R3234-13</b>	R960151P	Bolt - Flanged Hex 1/4-20	2	
4	<b>R74-9110</b>		Rubber Foot Pad - Reverse	1	
5	<b>R106-3840</b>		Pedal-Traction	1	
6	<b>R32121-45</b>	R32121-113, R32121-92	Pin - Spring Roll 5/32 x 1	1	
7	<b>R74-9100</b>		Rubber Foot Pad - Forward	1	
8	<b>R323-17</b>	323-17	Bolt - Hex HD 3/8-16 x 4	1	
9	<b>R62-4420</b>		Washer	7	
10	<b>R95-6448</b>		Spacer	1	
11	<b>R115-8078</b>	R106-3734	Mow Stop	1	
12	<b>R256-156</b>	R256-219	Bushing - Flanged	2	
13	<b>R110-8982</b>		Washer - Spring	3	
14	<b>R32121-6</b>		Pin - Roll 3/16 x 1-1/4	2	
15	<b>R3296-39</b>	3296-39, R32127-25, R32128-36, R3296-17, R3296-22, R915663P, R99-7443	Locknut - 3/8-16 Nylon	1	
16	<b>R115-0129</b>		Rod-Pawl - Brake	1	
17	<b>R11M7012</b>		Pin - Cotter 1/8 x 5/8	2	
18	<b>R117-0238</b>		Detent	1	

All original equipment manufacturers names and part numbers are used for identification purposes only, and we are in no way implying that our products are original equipment parts. Prices subject to change without notice.



# Replaces R&R Products Reel Max 744LP

## Parts

Traction Unit

Traction & Brake



Item No	R&R Part No.	OEM Part No.	Description	Qty Req	Order Quantity
19	<b>R104-7201</b>	104-7201	Locknut - 1/4-20 ESNA Flanged	1	
20	<b>R3256-22</b>	R09061, R24-9-BD, R3-1032, R93-0954, R93-0989	Washer - Flat 1/4 Yellow	4	
21	<b>R12-3270</b>	R30-0700, R32104-17, R8-3880, R9266714	Bolt - Hex Washer 1/4-20 x 1/2	1	
22	<b>R104-7179</b>	R99-7169	Pivot-Pedal	1	
23	<b>R256-155</b>	R265-155	Bushing - Flanged	2	
24	<b>R302-60</b>		Zerk - Grease 90 Deg.	1	
25	<b>R115-0120-03</b>		Pedal - Brake	1	
26	<b>R283-14</b>		Pin - Clevis	2	
27	<b>R3272-10</b>	R01-151-0120	Pin - Cotter 1/8 x 3/4	2	
28	<b>R5-0652</b>		Spacer	2	
29	<b>R115-8060</b>		Clevis - Double	1	
30	<b>R115-8059</b>		Yoke - Cable	1	
31	<b>R117-0107</b>		Cable - Brake - LH	1	
<i>Tech Note: Fits 2010 &amp; Up:</i>					
32	<b>R117-0106</b>		Cable - Brake - RH	1	
<i>Tech Note: Fits 2010 &amp; Up:</i>					

All original equipment manufacturers names and part numbers are used for identification purposes only, and we are in no way implying that our products are original equipment parts. Prices subject to change without notice.



# Replaces R&R Products Reel Max 744LP

## Parts

*Traction Unit*

*Traction & Brake*



Item No	R&R Part No.	OEM Part No.	Description	Qty Req	Order Quantity
33	<b>R322-3</b>	R01-150-1420, R01-178-0506, R09109, R20-24-AD, R20-24-AGD, R48-9270, R513339, R908017P, RB311201	Bolt - Hex HD 5/16-18 x 3/4	4	
34	<b>R101526</b>	321-11, R01-150-0970, R01-178-0620, R20-53-AGD, R3224-8, R323-12, R323-31, R323-47	Bolt - Hex HD 3/8-16 x 2-1/2 GR5	1	
35	<b>R52-2891</b>		Bushing- Nylon	2	
36	<b>R99-7140</b>		Spring-Torsion	1	
37	<b>R104-8301</b>	R109-6658, R133-7570	Locknut - 3/8-16 Nylon Flanged	1	
38	<b>R106-3731</b>		Rod-Pivot	1	
39	<b>R92-7305</b>		Spring-Extension	1	
40	<b>R99-7963-03</b>		Pedal - Park	1	
41	<b>R256-236</b>	R10-6740	Bearing - 5/8 Flanged 2 Bolt	2	
42	<b>R106-3719</b>		Hub-Pedal - Traction	1	
43	<b>R104-8300</b>	R119-4041	Locknut - 5/16-18 Flanged Y/Zinc	4	
44	<b>R3220-1</b>		Nut - 1/4-28 Jam	1	
45	<b>R2411-41</b>		Rod End - Ball Joint	1	

All original equipment manufacturers names and part numbers are used for identification purposes only, and we are in no way implying that our products are original equipment parts. Prices subject to change without notice.



# Replaces R&R Products Reel Max 744LP

## Parts

*Traction Unit*

*Traction & Brake*



Item No	R&R Part No.	OEM Part No.	Description	Qty Req	Order Quantity
46	<b>R301504</b>	R32127-24, R32146-17, R3296-16, R3296-42, R915661P, RM40333	Locknut - ESNA 1/4-20	1	
47	<b>R66-8010</b>		Spacer	1	
48	<b>R43-5930</b>	R01-176-0030	Washer - Lock M6	1	
49	<b>R400116</b>	R20-7-AD, R30-9680, R321-9, R3222-3	Bolt - Hex HD 1/4-20 x 1-1/2	1	
50	<b>R3234-5</b>	R62-3310	Bolt - 5/16-18x3/4 Hx Ser Was HD	2	
51	<b>R93-2092</b>		Clamp - Cable	1	
52	<b>R3296-29</b>	3296-29, R1-804256, R915662P	Locknut - 5/16-18 ESNA	2	
53	<b>R107-2084</b>		Traction Cable Assy	1	
54	<b>R49-6440-03</b>	R117-9507, R49-6440	Pedal - Forward Assy	1	

All original equipment manufacturers names and part numbers are used for identification purposes only, and we are in no way implying that our products are original equipment parts. Prices subject to change without notice.