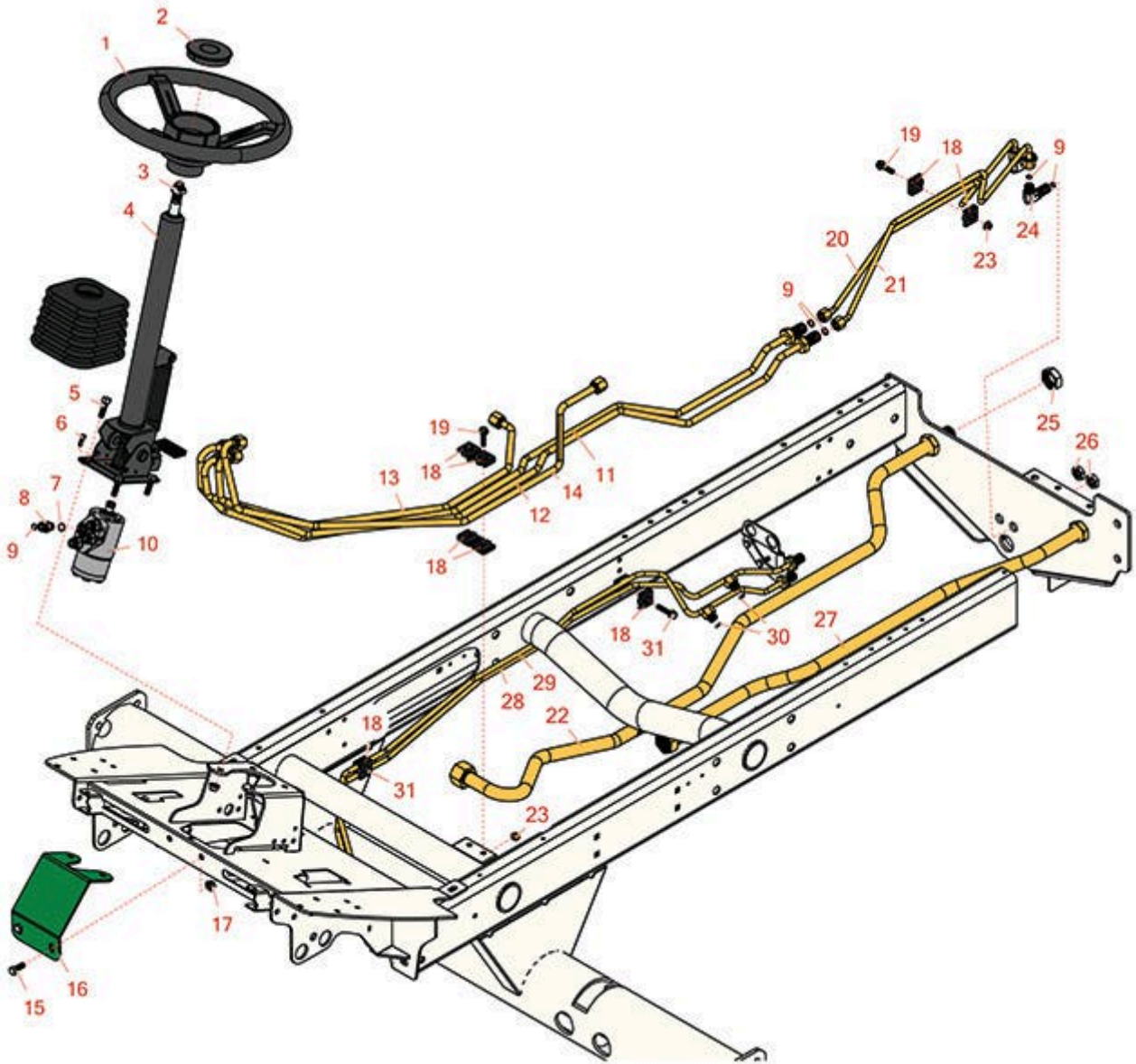




Replaces R&R Products Reel Max 744LP

Parts

Traction Unit
Steering Valve



All original equipment manufacturers names and part numbers are used for identification purposes only, and we are in no way implying that our products are original equipment parts. Prices subject to change without notice.



Replaces R&R Products Reel Max 744LP

Parts

Traction Unit
Steering Valve



Item No	R&R Part No.	OEM Part No.	Description	Qty Req	Order Quantity
1	R150263	R150255	Wheel - Steering 14 in	1	
2	R150267		Cap - Steering Wheel	1	
3	R150269		Nut - 11/16-16 Hex	1	
4	R150264		Steering Column - Tilt - R&R Only	1	
5	R3274-1		Bolt - 3/8-16 x 1 1/4 Soc HD Cap	4	
6	R105-2409		M6-1.0 x 16 Socket HD C/S Pln	4	
7	R237-42	R31-4160, R339897	O-Ring	4	
8	R340-2	R60-1920	Hydraulic Fitting - Striaight	4	
9	R237-22	R107-8844, R232-72, R237-78	O-Ring	10	
10	R106-3621		Valve - Steering	1	
11	R108-1712		Tube Assy	1	
12	R108-1713		Tube Assy	1	
13	R108-1710		Tube Assy	1	
14	R108-1711		Tube Assy	1	
15	R3234-11		Bolt - Hex Washer HD	2	
16	R110-8876G		Brace - Column - Green	1	
17	R104-8301	R109-6658, R133-7570	Locknut - 3/8-16 Nylon Flanged	6	
18	R56-7973		Clamp - Tube	8	
19	R3234-36		Bolt - 5/16-18 x 1 1/4 Hx HD Flange	3	

All original equipment manufacturers names and part numbers are used for identification purposes only, and we are in no way implying that our products are original equipment parts. Prices subject to change without notice.



Replaces R&R Products Reel Max 744LP

Parts

*Traction Unit
Steering Valve*



Item No	R&R Part No.	OEM Part No.	Description	Qty Req	Order Quantity
20	R108-7630		Tube Assy	1	
21	R108-7629		Tube Assy	1	
22	R108-1700		Tube Assy	1	
23	R104-8300	R119-4041	Locknut - 5/16-18 Flanged Y/Zinc	1	
24	R340-154	R93-9150	Union - Bulkhead	2	
25	R340-126		Nut - Bulkhead	2	
26	R340-70		Nut - Lock	2	
27	R108-1691		Tube Assy	1	
28	R108-1721		Tube Assy	1	
29	R108-1720		Tube Assy	1	
30	R237-21		O-Ring	2	
31	R32144-57		Bolt - Hex Washer 5/16-18 x 1-1/2	1	

All original equipment manufacturers names and part numbers are used for identification purposes only, and we are in no way implying that our products are original equipment parts. Prices subject to change without notice.