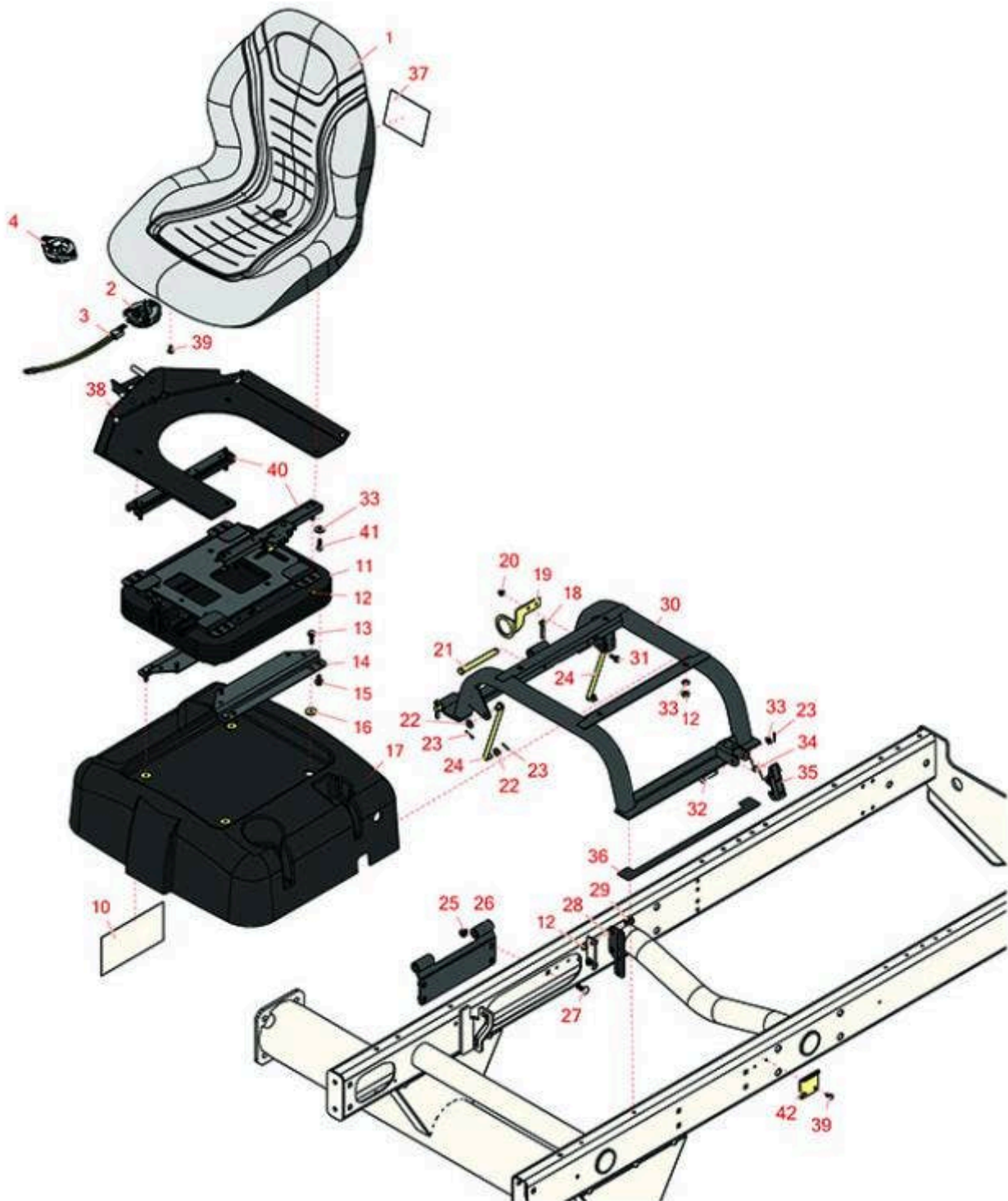
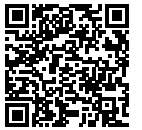




Replaces R&R Products Reel Max 744LP

Parts

Traction Unit
Seat Base



All original equipment manufacturers names and part numbers are used for identification purposes only, and we are in no way implying that our products are original equipment parts. Prices subject to change without notice.



Replaces R&R Products Reel Max 744LP

Parts

Traction Unit
Seat Base



Item No	R&R Part No.	OEM Part No.	Description	Qty Req	Order Quantity
---------	--------------	--------------	-------------	---------	----------------

1	RMXB200GY	R100-3187, R1001774, R104-4620, R21-4880, R351-59, R351-76, R4139438, R49-8130, R63-9410, R66-5400, R66172, R75-9190, R750105, R92-6280	Milsco Seat XB200 - Grey	1	
---	------------------	--	--------------------------	---	--

Tech Note: This seat will not accept seat belts:

1	R120-5179		Large Seat Cover - Gray	1	
---	------------------	--	-------------------------	---	--

Gauges and Controls

2	R151541		Delta Seat Switch - Twist Mount 1 Pole Normally Open	1	
3	R108-8657		Harness-Wire, Seat	1	
4	R92-6282	R554390, RAET10449	Switch - Kill - Seat	1	

Other Parts Available

10	R114-8891	R110-0996	Decal- Reel Speed	1	
11	R110-8851		Mechanical Suspension - Seat	1	
12	R104-8300	R119-4041	Locknut - 5/16-18 Flanged Y/Zinc	10	
13	R3234-29		Bolt - 5/16-18x1 Serr Hex	4	
14	R108-6590-03		Seat Bracket - Lower	2	

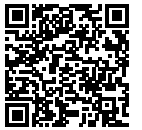
All original equipment manufacturers names and part numbers are used for identification purposes only, and we are in no way implying that our products are original equipment parts. Prices subject to change without notice.



Replaces R&R Products Reel Max 744LP

Parts

*Traction Unit
Seat Base*



Item No	R&R Part No.	OEM Part No.	Description	Qty Req	Order Quantity
15	R33114-016	R19M7162, R42-9230, R42-9270, R48-7690, R48-7700	Bolt - Hx HD 8mm x 1.25 x 15	4	
16	R366653	R71-9310	Spacer	4	
17	R108-1757		Cover-Seat Base	1	
18	R3272-11	R01-151-0010, R01-151-0040, R28-18-D, R28-28-D, R3211-72	Pin - Cotter	2	
19	R150937		Bracket - Wiring Harness	1	
20	R104-7201	104-7201	Locknut - 1/4-20 ESNA Flanged	2	
21	R283-83	283-83, R42194, R93-5343	Pin - Clevis	2	
22	R453011	3256-24, 453011, R01-166-0100, R01-166-0120, R01-166-0270, R01-166-0500, R01-166-0600, R01-166-0620, R132-4593, R237-12, R24-10-AD, R24-11-AD, R24-11-BD, R24-12-AD, R24-12-BD, R30-9310, R32-8190, R3256-24, R3256-3, R3256-36, R3256-4, R47-9950	Washer - Flat 3/8 SAE Y/Zinc	4	

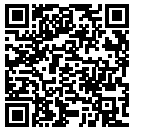
All original equipment manufacturers names and part numbers are used for identification purposes only, and we are in no way implying that our products are original equipment parts. Prices subject to change without notice.



Replaces R&R Products Reel Max 744LP

Parts

*Traction Unit
Seat Base*



Item No	R&R Part No.	OEM Part No.	Description	Qty Req	Order Quantity
23	R1023-4	R01-151-0150, R19-6220, R214-14, R215-54, R28-9-D, R3272-4, R3272-6, R460014, R513567, R932008P, RZS04061-02	Pin - Cotter 3/32 x 3/4	5	
24	R98-0917		Rod-Prop	2	
25	R104-8301	R109-6658, R133-7570	Locknut - 3/8-16 Nylon Flanged	4	
26	R108-7582-03		Pivot Plate Assy	1	
27	R3231-2	R01-157-0170, R01-173-0608, R900063P	Bolt - Carriage 3/8-16 x 1	4	
28	R108-7584B		Plate-Guide - Rod - Black	1	
29	R3230-1	R01-173-0506, R3230-20, R900037P	Bolt - Carriage 5/16-18 x 3/4	2	
30	R108-7577-03		Seat Base Assy	1	
31	R49-2040	R32104-42, R32104-95, R32144-44	Bolt - Hex Washer 1/4-20 x 3/4	2	
32	R94-3829		Pin - Clevis	1	

All original equipment manufacturers names and part numbers are used for identification purposes only, and we are in no way implying that our products are original equipment parts. Prices subject to change without notice.



Replaces R&R Products Reel Max 744LP

Parts

*Traction Unit
Seat Base*



Item No	R&R Part No.	OEM Part No.	Description	Qty Req	Order Quantity
33	R453009	3256-3, R01-166-0400, R24-10-BD, R24-9-AD, R24H1136, R32-9650, R3256-2, R3256-23, R3256-67, R3290-217, R3556-3, R4-2390, R452006, R7-0152	Washer - Flat 5/16 SAE	1	
34	R104-4821		Spring - Torsion - Seat Base	1	
35	R110-8971		Latch	1	
36	R110-5255		Bumper - Base - Seat	2	
37	R110-0990		Decal- Service	1	
38	R108-7591-03		Mount-Seat	1	
39	R12-3270	R30-0700, R32104-17, R8-3880, R9266714	Bolt - Hex Washer 1/4-20 x 1/2	4	
40	R150224	R133-8896, R92-8990, R92-8991	Adjusters - Seat (Set of 2)	1	
41	R434024	434024, R3274-12	Bolt - Soc HD Cap 5/16-18 x 3/4	4	
42	R110-8972		Hook-Latch	1	

All original equipment manufacturers names and part numbers are used for identification purposes only, and we are in no way implying that our products are original equipment parts. Prices subject to change without notice.