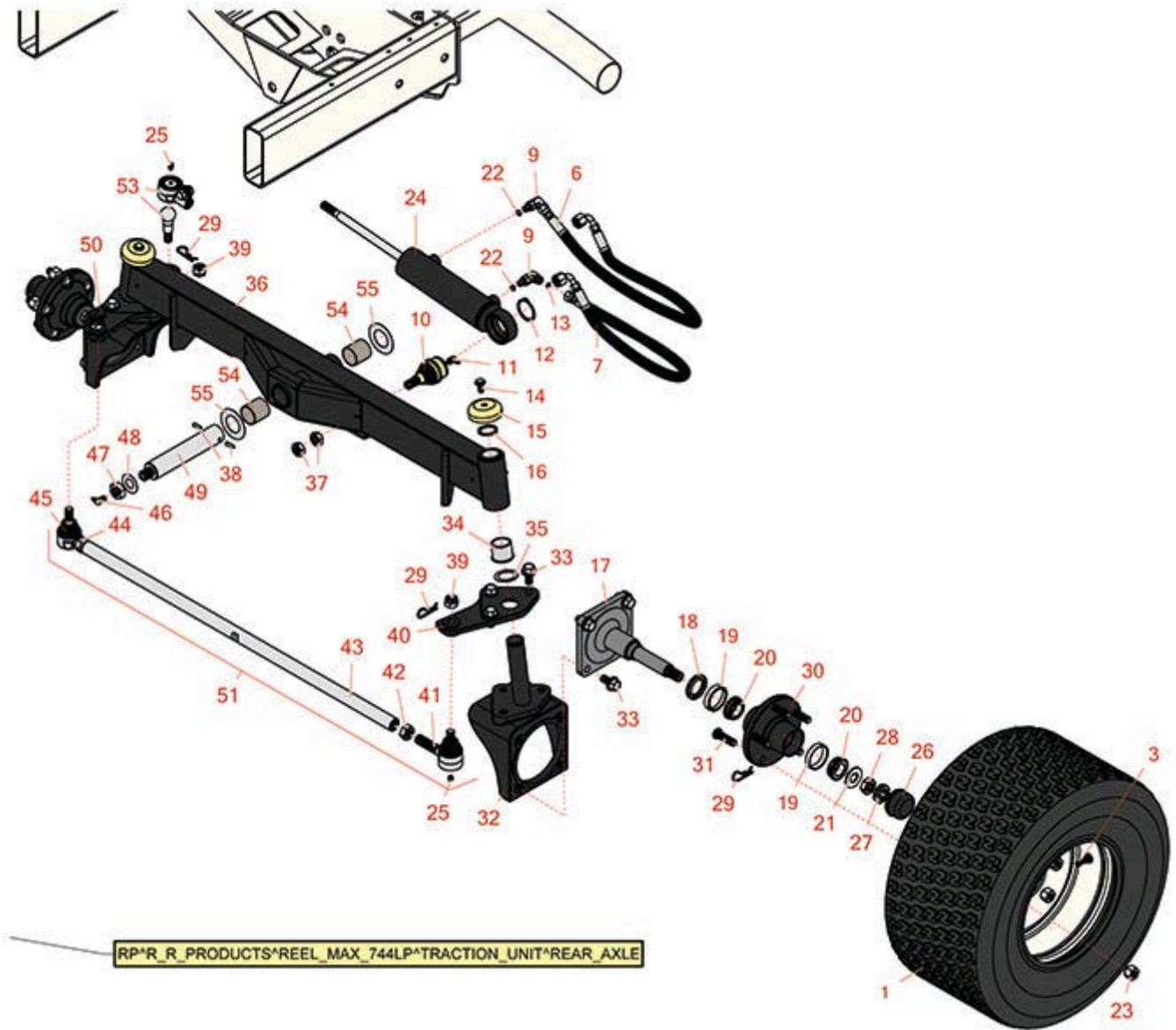




Replaces R&R Products Reel Max 744LP

Parts

Traction Unit
Rear Axle



All original equipment manufacturers names and part numbers are used for identification purposes only, and we are in no way implying that our products are original equipment parts. Prices subject to change without notice.



Replaces R&R Products Reel Max 744LP

Parts

Traction Unit
Rear Axle



Item No	R&R Part No.	OEM Part No.	Description	Qty Req	Order Quantity
Tires					
1	RCT529386		Tire - 26.5x14.00-12 Nhs (4 Ply) Carlisle Ultra Trac	2	
3	R232-27	R232-31, R360111	Stem - Valve w/ Cap	2	
Hoses					
6	R110-0973		Hose Asy	1	
7	R110-0928		Hydraulic Hose Assy	1	
Other Parts Available					
9	R340-132		Hydraulic Fitting - 90 Deg	2	
10	R106-6774	R92-5838, R92-5838-01	Ball Joint	1	
11	R302-40	R302-13	Fitting - Grease	1	
12	R32151-104		Ring - Retaining, Ex	1	
13	R237-21		O-Ring	2	
14	R3234-1		Bolt - Flanged Serrated Hex HD 3/8-16 x 3/4	2	
15	R69-8890		Cap-Spindle	2	
16	R32151-77		Ring - Retaining	2	
17	R110-5299-03		Spindle	2	
18	R253-129	R41321	Seal	2	

All original equipment manufacturers names and part numbers are used for identification purposes only, and we are in no way implying that our products are original equipment parts. Prices subject to change without notice.



Replaces R&R Products Reel Max 744LP

Parts

Traction Unit

Rear Axle



Item No	R&R Part No.	OEM Part No.	Description	Qty Req	Order Quantity
19	R254-72	R01-103-0050, R01-103-0120, R01-103-0140, R1-543508, R254-71, R313456, R40439, R521744, R62-3340, R814474, R99-4511, RJD8253	Cup - Bearing	4	
20	R254-94	R1-543509, R313089, R32-8090, R32-8240, R32-9640, R40440, R521494, R62-3330, R814473, RJD8933, RTCU37582	Tapered Bearing Cone	4	
21	R93-0309		Washer - Tab	2	
22	R237-22	R107-8844, R232-72, R237-78	O-Ring	2	
23	R242-50		Nut - 1/2-20 Wheel	10	
24	R107-4458	R110-9035	Hydraulic Cylinder	1	

All original equipment manufacturers names and part numbers are used for identification purposes only, and we are in no way implying that our products are original equipment parts. Prices subject to change without notice.



Replaces R&R Products Reel Max 744LP

Parts

Traction Unit

Rear Axle



Item No	R&R Part No.	OEM Part No.	Description	Qty Req	Order Quantity
25	R302-5	R173-0, R21-6010, R255825, R302-37, R302-47, R302-57, R302-58, R302-6, R31-0300, R32-9660, R471214, R471223, R471226, R60-0800, R62-3880, R92-4181, RJD7797, RJD7842, RJD7844, RM0004	Fitting - Grease	5	
26	R241-119	R01-269-0070, R01-269-0280, R01-286-0040, R30-9930, R40438	Cap-Dust	2	
27	R93-0307		Nut - Lock Retainer	2	
28	R3220-7	443832, R01-191-1216, R3-5103, R443832, RF7005	Nut - 3/4-16 Jam Zinc	2	
29	R3272-12	3272-12, R01-151-0090, R28-19-D	Pin - Cotter 1/8 x 1-1/4	5	
30	R21-0180		Hub Assy	2	
31	R10-6830		Stud - Wheel 1/2-20 x 1 3/4	10	
32	R107-4517-03		Housing - Motor	2	

All original equipment manufacturers names and part numbers are used for identification purposes only, and we are in no way implying that our products are original equipment parts. Prices subject to change without notice.



Replaces R&R Products Reel Max 744LP

Parts

Traction Unit
Rear Axle



Item No	R&R Part No.	OEM Part No.	Description	Qty Req	Order Quantity
33	R3234-6	R32144-13, R3434-6	Bolt - Hex HD Flanged	14	
34	R104-0015	R104-8339	Bushing - Flanged	4	
35	R76-2980		Washer - Thrust	2	
36	R107-4546-03		Axle Assy	1	
37	R150926		Nut - Hex Jam M16-1.5	2	
38	R32121-32	R01-153-0180, R34H385	Pin - Roll 1/4 x 1-3/4	2	
39	R105-7941		Nut - Hex - Slotted	3	
40	R110-5297-03		Link - Drag LH	1	
41	R2411-46	R2411-46-03	End - Tie Rod - LH	1	
42	R110-5337		Nut - Jam 11/16-18 LH	1	
43	R110-5335		Tie Rod	1	
44	R84-5300		Nut - Jam 11/16-18 RH	1	
45	R71-4740-03	R2411-45, R71-4740	End - Tie Rod - RH	1	
46	R323016	R302-33	Zerk - Grease	1	
47	R444742	R32146-20, R9150906, R915090P	Nut - 3/4-16 Gripco Centerlock	1	
48	R71-4540		Washer - Thrust	1	
49	R140-6101	R98-8173, R98-8173-03	Pivot Pin - Rear Lift Arm	1	
50	R110-5295-03		Link - Drag - RH	1	
51	R110-5334-03		Tie Rod Assy	1	

All original equipment manufacturers names and part numbers are used for identification purposes only, and we are in no way implying that our products are original equipment parts. Prices subject to change without notice.



Replaces R&R Products Reel Max 744LP

Parts

Traction Unit

Rear Axle



Item No	R&R Part No.	OEM Part No.	Description	Qty Req	Order Quantity
53	R106-6895-03	R106-6895, R69-9810, R69-9810-03	Ball Joint Assy	1	
54	R99-6964		Bushing - Axle	2	
55	R99-8432		Washer - Thrust	2	

All original equipment manufacturers names and part numbers are used for identification purposes only, and we are in no way implying that our products are original equipment parts. Prices subject to change without notice.