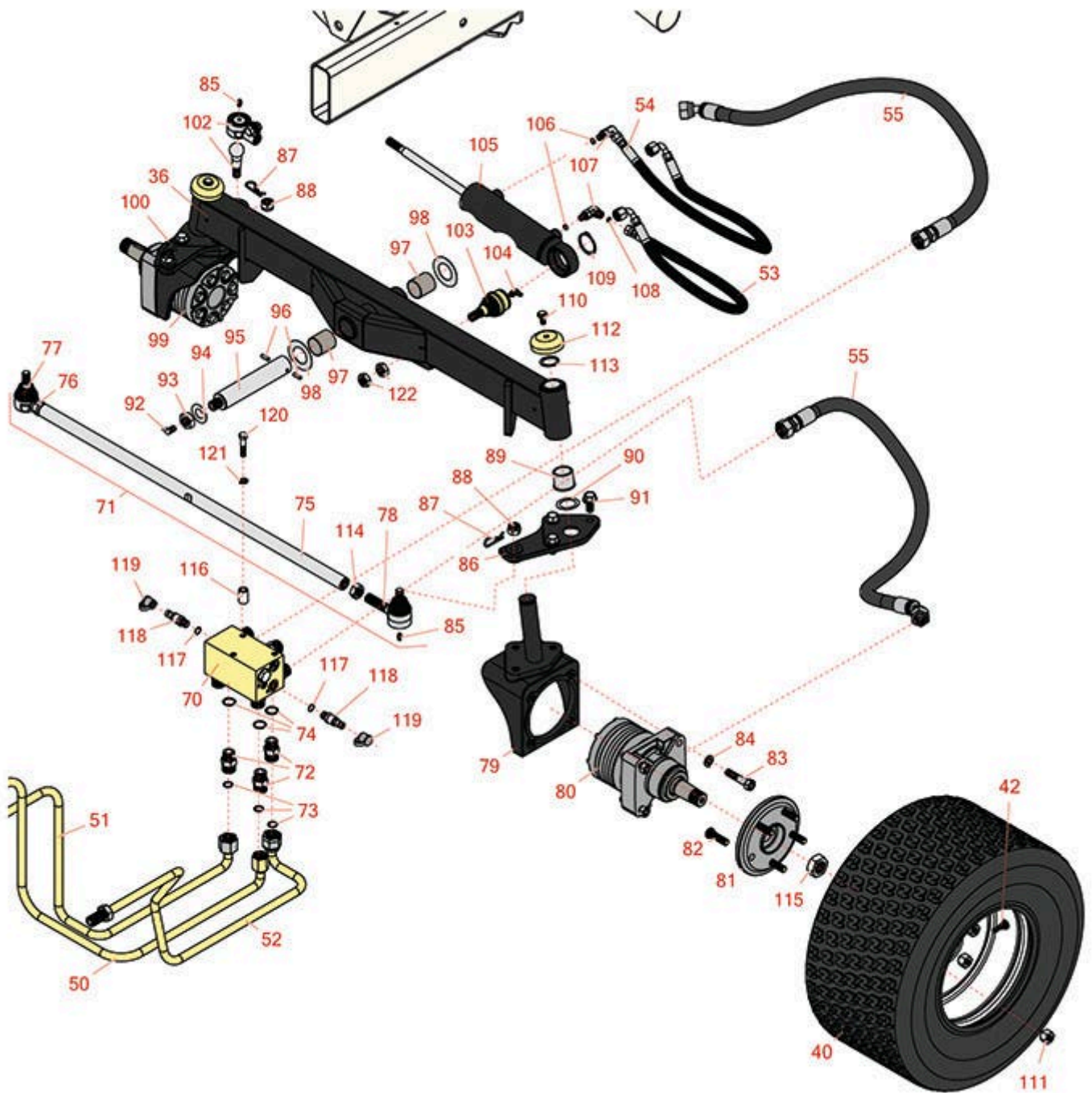




Replaces R&R Products Reel Max 744LP

Parts

Traction Unit
Rear Axle 4WD



All original equipment manufacturers names and part numbers are used for identification purposes only, and we are in no way implying that our products are original equipment parts. Prices subject to change without notice.



Replaces R&R Products Reel Max 744LP

Parts

Traction Unit
Rear Axle 4WD



Item No	R&R Part No.	OEM Part No.	Description	Qty Req	Order Quantity
Tires					
40	RCT529386		Tire - 26.5x14.00-12 Nhs (4 Ply) Carlisle Ultra Trac	2	
42	R232-27	R232-31, R360111	Stem - Valve w/ Cap	2	
Hoses and Tubes					
50	R108-7624		Tube Assy	1	
51	R108-7625		Tube Assy	1	
52	R108-7626		Tube Assy	1	
53	R110-0928		Hydraulic Hose Assy	1	
54	R110-0973		Hose Assy	1	
55	R106-3662		Hydraulic Hose Assy	2	
Other Parts Available					
70	R108-1825		Hydraulic Manifold Assy	1	
71	R110-5334-03		Tie Rod Assy	1	
72	R340-7		Adapter	4	
73	R237-65		O-Ring	8	
74	R237-80	R327-80	O-Ring	8	
75	R110-5335		Tie Rod	1	
76	R84-5300		Nut - Jam 11/16-18 RH	1	
77	R71-4740-03	R2411-45, R71-4740	End - Tie Rod - RH	1	
78	R2411-46	R2411-46-03	End - Tie Rod - LH	1	
79	R107-4517-03		Housing - Motor	2	

All original equipment manufacturers names and part numbers are used for identification purposes only, and we are in no way implying that our products are original equipment parts. Prices subject to change without notice.



Replaces R&R Products Reel Max 744LP Parts

*Traction Unit
Rear Axle 4WD*



Item No	R&R Part No.	OEM Part No.	Description	Qty Req	Order Quantity
80	R107-4544		Hydraulic Motor Assy - LH	1	
81	R110-9046	R106-3605	Hub - Wheel	2	
82	R10-6830		Stud - Wheel 1/2-20 x 1 3/4	10	
83	R325-11	R01-150-0330, R20-92-AGD	Bolt - Hex HD 1/2-13 x 2-3/4	8	
84	R3253-7	R01-166-0030, R01-166-0080, R01-166-0290, R01-166-0810, R23-13-GD, R48-9380	Washer - Lock 1/2	8	
85	R302-5	R173-0, R21-6010, R255825, R302-37, R302-47, R302-57, R302-58, R302-6, R31-0300, R32-9660, R471214, R471223, R471226, R60-0800, R62-3880, R92-4181, RJD7797, RJD7842, RJD7844, RM0004	Fitting - Grease	5	
86	R110-5297-03		Link - Drag LH	1	
87	R3272-12	3272-12, R01-151-0090, R28-19-D	Pin - Cotter 1/8 x 1-1/4	3	
88	R105-7941		Nut - Hex - Slotted	3	
89	R104-0015	R104-8339	Bushing - Flanged	4	

All original equipment manufacturers names and part numbers are used for identification purposes only, and we are in no way implying that our products are original equipment parts. Prices subject to change without notice.



Replaces R&R Products Reel Max 744LP Parts

*Traction Unit
Rear Axle 4WD*



Item No	R&R Part No.	OEM Part No.	Description	Qty Req	Order Quantity
90	R76-2980		Washer - Thrust	2	
91	R3234-6	R32144-13, R3434-6	Bolt - Hex HD Flanged	6	
92	R323016	R302-33	Zerk - Grease	1	
93	R444742	R32146-20, R9150906, R915090P	Nut - 3/4-16 Gripco Centerlock	1	
94	R71-4540		Washer - Thrust	1	
95	R140-6101	R98-8173, R98-8173-03	Pivot Pin - Rear Lift Arm	1	
96	R32121-32	R01-153-0180, R34H385	Pin - Roll 1/4 x 1-3/4	2	
97	R99-6964		Bushing - Axle	2	
98	R99-8432		Washer - Thrust	2	
99	R110-0901		Hydraulic Motor Assy	1	
100	R110-5295-03		Link - Drag - RH	1	
101	R107-4546-03		Axle Assy	1	
102	R106-6895-03	R106-6895, R69-9810, R69-9810-03	Ball Joint Assy	1	
103	R106-6774	R92-5838, R92-5838-01	Ball Joint	1	
104	R302-40	R302-13	Fitting - Grease	1	
105	R107-4458	R110-9035	Hydraulic Cylinder	1	
106	R237-22	R107-8844, R232-72, R237-78	O-Ring	2	

All original equipment manufacturers names and part numbers are used for identification purposes only, and we are in no way implying that our products are original equipment parts. Prices subject to change without notice.



Replaces R&R Products Reel Max 744LP

Parts

*Traction Unit
Rear Axle 4WD*



Item No	R&R Part No.	OEM Part No.	Description	Qty Req	Order Quantity
107	R340-132		Hydraulic Fitting - 90 Deg	2	
108	R237-21		O-Ring	2	
109	R32151-104		Ring - Retaining, Ex	1	
110	R3234-1		Bolt - Flanged Serrated Hex HD 3/8-16 x 3/4	2	
111	R242-50		Nut - 1/2-20 Wheel	10	
112	R69-8890		Cap-Spindle	2	
113	R32151-77		Ring - Retaining	2	
114	R110-5337		Nut - Jam 11/16-18 LH	1	
115	R26-3790		Nut - Hex - Wheel Motor 1-20	2	
116	R93-6981		Spacer	3	
117	R237-42	R31-4160, R339897	O-Ring	2	
118	R59-7410		Tip-Nipple	2	
119	R354-79		Cap-Dust	2	
120	R323-9	323-9, R01-150-0190, R01-150-1540, R01-178-0614, R107229, R20-50-AD, R20-50-AGD, R30-9430, R32105-4, R3224-5, R513363, R513364, R5377, R908037P	Bolt - Hex HD 3/8-16 x 1-3/4	3	

All original equipment manufacturers names and part numbers are used for identification purposes only, and we are in no way implying that our products are original equipment parts. Prices subject to change without notice.



Replaces R&R Products Reel Max 744LP Parts

*Traction Unit
Rear Axle 4WD*



Item No	R&R Part No.	OEM Part No.	Description	Qty Req	Order Quantity
121	R3253-21	3253-21, R215-51, R30-8470, R7-1912, RMT3949	Washer - Lock 3/8	3	
122	R150926		Nut - Hex Jam M16-1.5	2	

All original equipment manufacturers names and part numbers are used for identification purposes only, and we are in no way implying that our products are original equipment parts. Prices subject to change without notice.