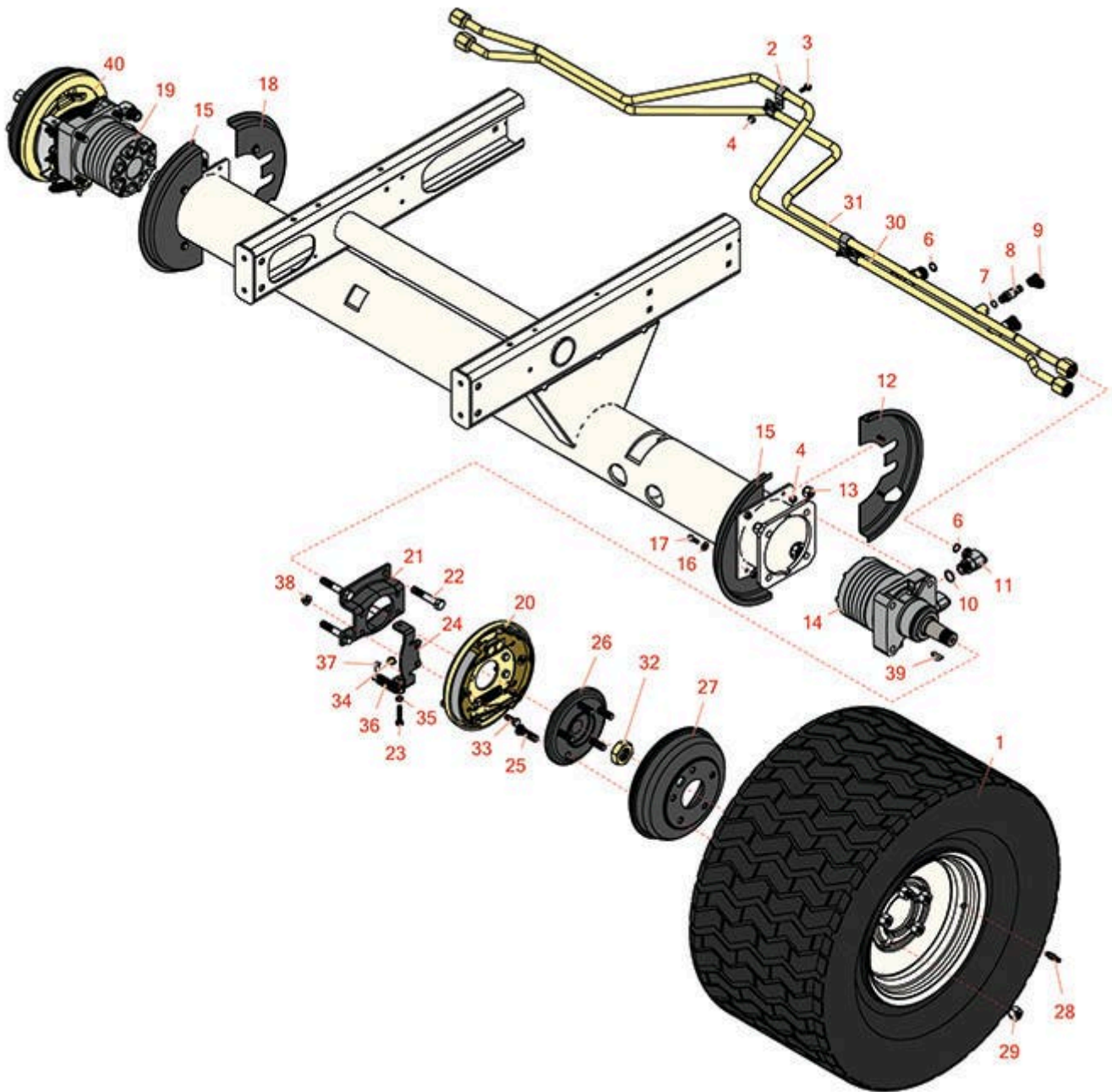




Replaces R&R Products Reel Max 744LP

Parts

Traction Unit
Front Wheel



All original equipment manufacturers names and part numbers are used for identification purposes only, and we are in no way implying that our products are original equipment parts. Prices subject to change without notice.



Replaces R&R Products Reel Max 744LP

Parts

Traction Unit
Front Wheel



Item No	R&R Part No.	OEM Part No.	Description	Qty Req	Order Quantity
Tires					
1	RCT529386		Tire - 26.5x14.00-12 Nhs (4 Ply) Carlisle Ultra Trac	2	
Other Parts Available					
2	R2412-134		R-Clamp	4	
3	R3234-4		Bolt - Hx Ser Was HD 1/4-20 x 3/4	4	
4	R301504	R32127-24, R32146-17, R3296-16, R3296-42, R915661P, RM40333	Locknut - ESNA 1/4-20	12	
6	R237-65		O-Ring	8	
7	R237-42	R31-4160, R339897	O-Ring	2	
8	R59-7410		Tip-Nipple	2	
9	R354-79		Cap-Dust	2	
10	R237-80	R327-80	O-Ring	4	
11	R340-17		No 10 Male Orfs x No 10 Male Orb	4	
12	R110-0951		Shiel D- Wheel - Rear LH	1	
13	RF5003	3296-23, R32127-29, R32131-5, R32132-5, R3296-23, R64229-05	Locknut - ESNA 1/2-13	8	
14	R106-3874		Hydraulic Motor - Wheel LH	1	
15	R110-0950		Shield - Brake - Front	2	

All original equipment manufacturers names and part numbers are used for identification purposes only, and we are in no way implying that our products are original equipment parts. Prices subject to change without notice.



Replaces R&R Products Reel Max 744LP

Parts

Traction Unit
Front Wheel



Item No	R&R Part No.	OEM Part No.	Description	Qty Req	Order Quantity
16	R453009	3256-3, R01-166-0400, R24-10-BD, R24-9-AD, R24H1136, R32-9650, R3256-2, R3256-23, R3256-67, R3290-217, R3556-3, R4-2390, R452006, R7-0152	Washer - Flat 5/16 SAE	8	
17	R321-4	400108, R01-150-1030, R01-178-0406, R20-3-AGD, R3222-1, R400108	Bolt - Hex HD 1/4-20 x 3/4	8	
18	R110-8878		Shield-Wheel - Rear RH	1	
19	R106-3875		Hydraulic Motor - Wheel RH	1	
20	R110-8872		Brake Assy - LH	1	
21	R110-5343-03		Bracket-Brake	2	
22	R325-11	R01-150-0330, R20-92-AGD	Bolt - Hex HD 1/2-13 x 2-3/4	8	
23	R322-7	R01-150-0750, R01-150-0760, R01-178-0512, R20-28-AD, R20-28-AGD, R3223-4	Bolt - Hex HD 5/16-18 x 1-1/2	2	
24	R117-0203-03		Bracket- Brake Spring	2	
25	R10-6830		Stud - Wheel 1/2-20 x 1 3/4	10	
26	R110-9046	R106-3605	Hub - Wheel	2	

All original equipment manufacturers names and part numbers are used for identification purposes only, and we are in no way implying that our products are original equipment parts. Prices subject to change without notice.



Replaces R&R Products Reel Max 744LP

Parts

*Traction Unit
Front Wheel*



Item No	R&R Part No.	OEM Part No.	Description	Qty Req	Order Quantity
27	R150878		Drum - Brake - Reel Max	2	
28	R232-27	R232-31, R360111	Stem - Valve w/ Cap	2	
29	R242-50		Nut - 1/2-20 Wheel	10	
30	R108-7632		Tube Assy	1	
31	R108-7633		Tube Assy	1	
32	R26-3790		Nut - Hex - Wheel Motor 1-20	2	
33	R323-6	323-6, R01-150-0010, R01-178-0608, R20-47-AD, R20-47-AGD, R3224-2, R49-3510, R908034P, R908332	Bolt - Hex HD 3/8-16 x 1 GR5 YZ	8	
34	R104-8300	R119-4041	Locknut - 5/16-18 Flanged Y/Zinc	2	
35	RP457-2	R01-191-0518, R22-12-AJK, R3218-2, R513299, RP3015-2	Nut - Jam 5/16-18 Zinc	2	
36	R87-4020		Spring - Extension	2	
37	R283-62		Pin - Clevis 5/16 x 3/4	2	
38	R3296-39	3296-39, R32127-25, R32128-36, R3296-17, R3296-22, R915663P, R99-7443	Locknut - 3/8-16 Nylon	8	
39	R3257-42		Key - Woodruff 5/16 x 1	2	

All original equipment manufacturers names and part numbers are used for identification purposes only, and we are in no way implying that our products are original equipment parts. Prices subject to change without notice.



Replaces R&R Products Reel Max 744LP Parts

*Traction Unit
Front Wheel*



Item No	R&R Part No.	OEM Part No.	Description	Qty Req	Order Quantity
40	R110-8871		Brake Assy - RH	1	

All original equipment manufacturers names and part numbers are used for identification purposes only, and we are in no way implying that our products are original equipment parts. Prices subject to change without notice.