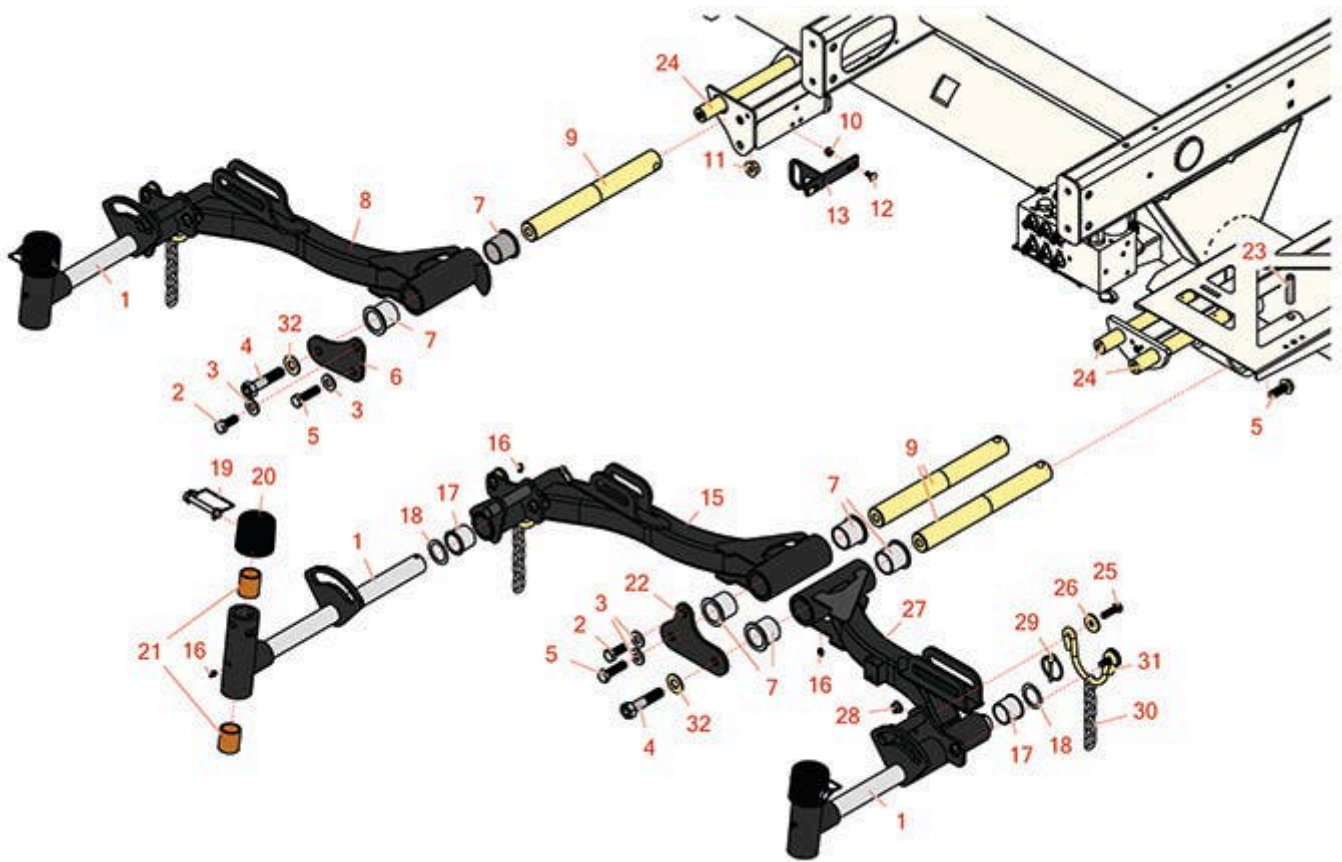




Replaces R&R Products Reel Max 744LP

Parts

Traction Unit
Front Lift Arm



All original equipment manufacturers names and part numbers are used for identification purposes only, and we are in no way implying that our products are original equipment parts. Prices subject to change without notice.



Replaces R&R Products Reel Max 744LP

Parts

*Traction Unit
Front Lift Arm*



Item No	R&R Part No.	OEM Part No.	Description	Qty Req	Order Quantity
1	R107-2052	R138-1248	Pivot Yoke Assy	3	
2	R400438	R3213-1	Bolt - Hex HD 1/2-20 x 1	2	
3	R87-7270-01	R87-7270	Washer - Flat 1/2	2	
4	R3234-27		Bolt - 1/2-13 x 2 Hex	3	
5	R3234-38		Bolt - Flanged Hex 1/2-13 x 1-1/4	4	
6	R110-0939B		Plate - Bridge - 5 - Black	1	
7	R69-6470		Bushing - Flanged	6	
8	R110-0995		Lift Arm - No. 5	1	
9	R95-8531		Pivot Shaft	3	
10	R104-7201	104-7201	Locknut - 1/4-20 ESNA Flanged	2	
11	R32128-23	R3218-23, R99-5107	Nut - Lock Hex Flanged 1/2-13	1	
12	R3229-1	R01-173-0406, R01-178-0408, R3229-25, R900015P	Bolt - 1/4-20 x 3/4 - Carriage	2	
13	R150938		Bracket - Front Mow Switch	1	
15	R110-0991		Lift Arm - No. 1	1	

All original equipment manufacturers names and part numbers are used for identification purposes only, and we are in no way implying that our products are original equipment parts. Prices subject to change without notice.



Replaces R&R Products Reel Max 744LP

Parts

Traction Unit
Front Lift Arm



Item No	R&R Part No.	OEM Part No.	Description	Qty Req	Order Quantity
16	R302-5	R173-0, R21-6010, R255825, R302-37, R302-47, R302-57, R302-58, R302-6, R31-0300, R32-9660, R471214, R471223, R471226, R60-0800, R62-3880, R92-4181, RJD7797, RJD7842, RJD7844, RM0004	Fitting - Grease	8	
17	R104-0015	R104-8339	Bushing - Flanged	6	
18	R76-2980		Washer - Thrust	6	
19	R107-7400		Pin - Lynch	3	
20	R107-4027		Cap - Pivot Yoke	3	
21	R256-254		Bushing 1-1/8 x 1.375 x 1.5	6	
22	R110-0938B		Plate - Bridge - Black	1	
23	R32121-122	R01-153-0140	Pin - Roll 1/2 x 2	3	
24	R107-2077		Pin - Cylinder	3	

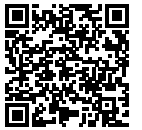
All original equipment manufacturers names and part numbers are used for identification purposes only, and we are in no way implying that our products are original equipment parts. Prices subject to change without notice.



Replaces R&R Products Reel Max 744LP

Parts

*Traction Unit
Front Lift Arm*



Item No	R&R Part No.	OEM Part No.	Description	Qty Req	Order Quantity
25	R400264	323-7, R01-150-0180, R01-178-0610, R19H1732, R20-48-AD, R20-48-AGD, R32-9160, R3224-3, R323-29, R323-7, R400264, R908035P	Bolt - Hex HD 3/8-16 x 1-1/4	6	
26	R63-8410	R53-6380, R63-4810	Washer - Isolator Bushing	6	
27	R114-8874		Lift Arm - No. 4	1	
28	R104-8301	R109-6658, R133-7570	Locknut - 3/8-16 Nylon Flanged	6	
29	R92-1298		Pin - Klik	2	
30	R84-2451	84-2451	Chain - Straight 5	3	
31	R110-0922		Hoop - Chain	3	
32	R453020	R3256-59	Washer - 5/8 SAE Flat Z	2	

All original equipment manufacturers names and part numbers are used for identification purposes only, and we are in no way implying that our products are original equipment parts. Prices subject to change without notice.