

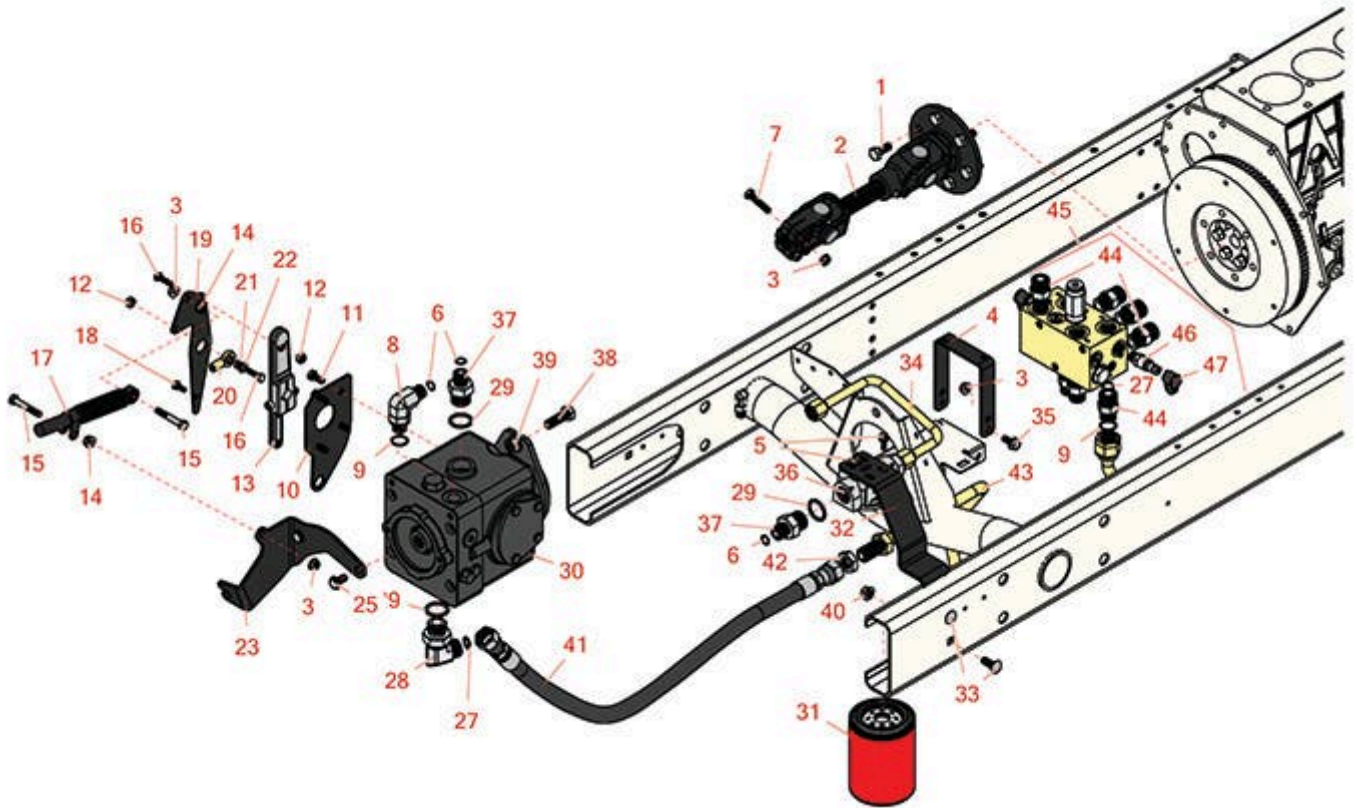


# Replaces R&R Products Reel Max 744LP

## Parts

*Traction Unit*

*Driveshaft and V Pump 4WD*



All original equipment manufacturers names and part numbers are used for identification purposes only, and we are in no way implying that our products are original equipment parts. Prices subject to change without notice.



# Replaces R&R Products Reel Max 744LP

## Parts

*Traction Unit*

*Driveshaft and V Pump 4WD*



Item No	R&R Part No.	OEM Part No.	Description	Qty Req	Order Quantity
1	<b>R43-0090</b>		Bolt - 10mm x 1.25 x 25 Hex HD	6	
2	<b>R108-1641</b>		Driveshaft Assy	1	
3	<b>R104-8300</b>	R119-4041	Locknut - 5/16-18 Flanged Y/Zinc	6	
4	<b>R108-1799-03</b>		Hoop-Guard	1	
5	<b>R3234-33</b>		Bolt - 1/4-20 x 3/4 Serr Hex Flanged	2	
6	<b>R237-30</b>	R23-6320	O-Ring - Seal	4	
7	<b>R322-7</b>	R01-150-0750, R01-150-0760, R01-178-0512, R20-28-AD, R20-28-AGD, R3223-4	Bolt - Hex HD 5/16-18 x 1-1/2	2	
8	<b>R340-105</b>		Hydraulic Fitting	1	
9	<b>R237-80</b>	R327-80	O-Ring	9	
10	<b>R150881</b>		Plate - Variable Pump	1	
11	<b>R112-0150</b>		Bolt - Hex HD M8-1.25 x 20	4	
12	<b>R301504</b>	R32127-24, R32146-17, R3296-16, R3296-42, R915661P, RM40333	Locknut - ESNA 1/4-20	2	
13	<b>R112-0156</b>		Arm - Control	1	
14	<b>R445722</b>	R30-8980, R32128-2, R32128-20	Nut - Serrated Washer	2	

All original equipment manufacturers names and part numbers are used for identification purposes only, and we are in no way implying that our products are original equipment parts. Prices subject to change without notice.



# Replaces R&R Products Reel Max 744LP

## Parts

*Traction Unit*

*Driveshaft and V Pump 4WD*



Item No	R&R Part No.	OEM Part No.	Description	Qty Req	Order Quantity
15	<b>R322-10</b>	R20-30-AD, R24-7180, R3223-6, R513347	Bolt - Hex HD 5/16-18 x 2	2	
16	<b>RP1471-1</b>	R01-150-1400, R20-5-AD, R3-8297, R30-8880, R321-6, R3222-2, R513320	Bolt - Hex HD 1/4-20 x 1	2	
17	<b>R76-8870</b>	R105-7280	Lever Damper Assy	1	
18	<b>R400106</b>	R321-3, R513315, R908002P	Bolt - Hex HD 1/4-20 x 5/8	1	
19	<b>R150880</b>		Bracket - Traction Lever	1	
20	<b>R2411-41</b>		Rod End - Ball Joint	1	
21	<b>R43-5930</b>	R01-176-0030	Washer - Lock M6	1	
22	<b>R3256-22</b>	R09061, R24-9-BD, R3-1032, R93-0954, R93-0989	Washer - Flat 1/4 Yellow	1	
23	<b>R110-5323-03</b>		Bracket	1	
25	<b>R3234-1</b>		Bolt - Flanged Serrated Hex HD 3/8-16 x 3/4	2	
27	<b>R237-65</b>		O-Ring	10	
28	<b>R340-139</b>		Hydraulic Fitting - 90 Deg	1	
29	<b>R237-81</b>		O-Ring	4	
30	<b>R107-4470</b>		Variable Pump Assy	1	

All original equipment manufacturers names and part numbers are used for identification purposes only, and we are in no way implying that our products are original equipment parts. Prices subject to change without notice.



# Replaces R&R Products Reel Max 744LP Parts

*Traction Unit  
Driveshaft and V Pump 4WD*



Item No	R&R Part No.	OEM Part No.	Description	Qty Req	Order Quantity
31	<b>R86-3010</b>	R12-5270, R23-9740, R28-1370, R353-387, R522972, R54-0110, R549597, R76-6490, RZS48758	Baldwin Hydraulic Oil Filter	1	
32	<b>R110-0906B</b>		Support -Oi Filter	1	
33	<b>R3231-2</b>	R01-157-0170, R01-173-0608, R900063P	Bolt - Carriage 3/8-16 x 1	2	
34	<b>R108-1714</b>		Tube Assy	1	
35	<b>R3234-5</b>	R62-3310	Bolt - 5/16-18x3/4 Hx Ser Was HD	2	
36	<b>R150924</b>		Filter Head Assy	1	
37	<b>R100-4240</b>		No 8 Orfs Male x No 12 Orb Male	3	
38	<b>R3234-32</b>	R3434-32	Bolt - 1/2-13 x 1 1/4 Hex Flange Bolt	2	
39	<b>R32128-49</b>		Nut - 1/2-13 Hex Flange	2	
40	<b>R104-8301</b>	R109-6658, R133-7570	Locknut - 3/8-16 Nylon Flanged	2	
41	<b>R108-7645</b>		Hydraulic Hose Assy	1	
42	<b>R340-74</b>		Locknut - Bulkhead	1	
43	<b>R108-7626</b>		Tube Assy	1	
44	<b>R340-7</b>		Adapter	7	
45	<b>R108-1825</b>		Hydraulic Manifold Assy	1	
46	<b>R59-7410</b>		Tip-Nipple	2	
47	<b>R354-79</b>		Cap-Dust	2	

All original equipment manufacturers names and part numbers are used for identification purposes only, and we are in no way implying that our products are original equipment parts. Prices subject to change without notice.



# Replaces R&R Products Reel Max 744LP Parts

*Traction Unit*

*Driveshaft and V Pump 4WD*



All original equipment manufacturers names and part numbers are used for identification purposes only, and we are in no way implying that our products are original equipment parts. Prices subject to change without notice.