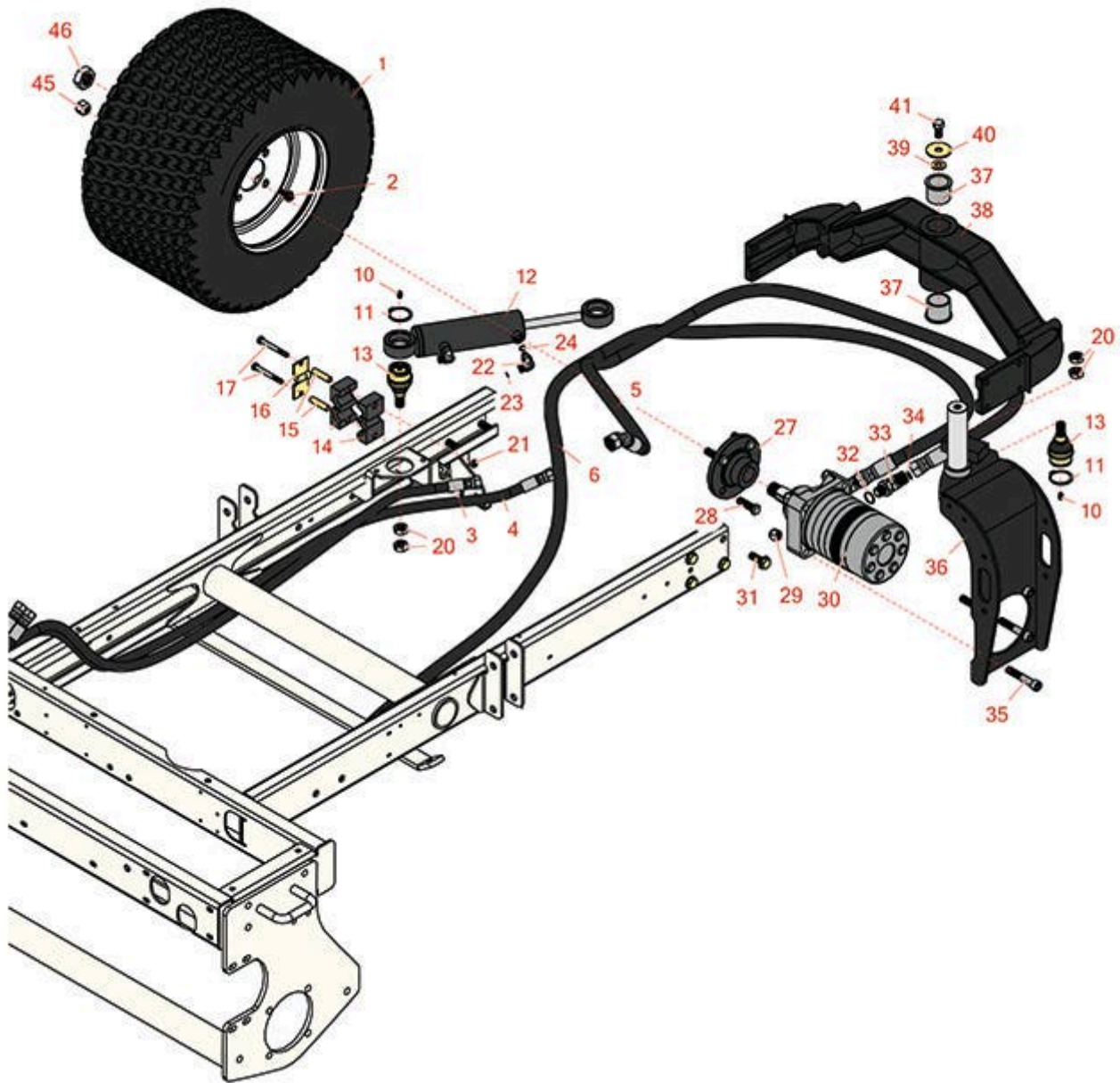




Replaces R&R Products Reel Max 331LP

Parts

Traction Unit
Rear Fork & Wheel



All original equipment manufacturers names and part numbers are used for identification purposes only, and we are in no way implying that our products are original equipment parts. Prices subject to change without notice.



Replaces R&R Products Reel Max 331LP

Parts

Traction Unit
Rear Fork & Wheel



Item No	R&R Part No.	OEM Part No.	Description	Qty Req	Order Quantity
---------	--------------	--------------	-------------	---------	----------------

Tires

1	RCT50D362		Tire - 20x10.00-10 Nhs (4 Ply) Carlisle Turf Trac R/S	1	
2	R232-27	R232-31, R360111	Stem - Valve w/ Cap	1	

Hoses

3	R95-8844		Hydraulic Hose Assy	1	
4	R95-8845		Hydraulic Hose Assy	1	
5	R105-1222		Hydraulic Hose Assy	1	
6	R105-1221		Hydraulic Hose Assy	1	

Other Parts Available

10	R302-5	R173-0, R21-6010, R255825, R302-37, R302-47, R302-57, R302-58, R302-6, R31-0300, R32-9660, R471214, R471223, R471226, R60-0800, R62-3880, R92-4181, RJD7797, RJD7842, RJD7844, RM0004	Fitting - Grease	2	
11	R32151-104		Ring - Retaining, Ex	2	
12	R94-8141		Hydraulic Cylinder	1	

All original equipment manufacturers names and part numbers are used for identification purposes only, and we are in no way implying that our products are original equipment parts. Prices subject to change without notice.



Replaces R&R Products Reel Max 331LP Parts

*Traction Unit
Rear Fork & Wheel*



Item No	R&R Part No.	OEM Part No.	Description	Qty Req	Order Quantity
13	R106-6774	R92-5838, R92-5838-01	Ball Joint	2	
14	R82-8170		Clamp	2	
15	R93-7960		Spacer	2	
16	R93-7961		Clamp - Case Drain	1	
17	R400216		Bolt - Hex HD 5/16-18 x 2-3/4	2	
20	R443828	R01-191-1018, R3220-6, R915089P	Nut - 5/8-18 Hex	4	
21	R3296-29	3296-29, R1-804256, R915662P	Locknut - 5/16-18 ESNA	2	
22	R340-132		Hydraulic Fitting - 90 Deg	2	
23	R237-21		O-Ring	2	
24	R237-22	R107-8844, R232-72, R237-78	O-Ring	2	
27	R10-6870-03	R10-6870	Hub - Wheel	1	
28	R10-6830		Stud - Wheel 1/2-20 x 1 3/4	4	
29	RF5003	3296-23, R32127-29, R32131-5, R32132-5, R3296-23, R64229-05	Locknut - ESNA 1/2-13	4	
30	R95-8694		Hydraulic Motor Assy - Rear	1	
31	R3234-38		Bolt - Flanged Hex 1/2-13 x 1-1/4	8	
32	R237-80	R327-80	O-Ring	2	

All original equipment manufacturers names and part numbers are used for identification purposes only, and we are in no way implying that our products are original equipment parts. Prices subject to change without notice.



Replaces R&R Products Reel Max 331LP Parts

*Traction Unit
Rear Fork & Wheel*



Item No	R&R Part No.	OEM Part No.	Description	Qty Req	Order Quantity
33	R340-14	R96-0861	Hydraulic Fitting - 45 Deg	2	
34	R237-65		O-Ring	2	
35	R3274-93		Bolt - Soc HD Cap	4	
36	R95-8905B		Fork-Rear - Black	1	
37	R95-8805		Bushing - Flanged 1 1/2 in ID	2	
38	R107-7828	R18-3979-03	Rear Frame Casting Assy	1	
39	R3255-2		Washer - Lock - Ext	1	
40	R75-7730		Washer - Thrust	1	
41	R325-3		Screw Hex HD	1	
45	R242-50		Nut - 1/2-20 Wheel	4	
46	R26-3790		Nut - Hex - Wheel Motor 1-20	1	

All original equipment manufacturers names and part numbers are used for identification purposes only, and we are in no way implying that our products are original equipment parts. Prices subject to change without notice.