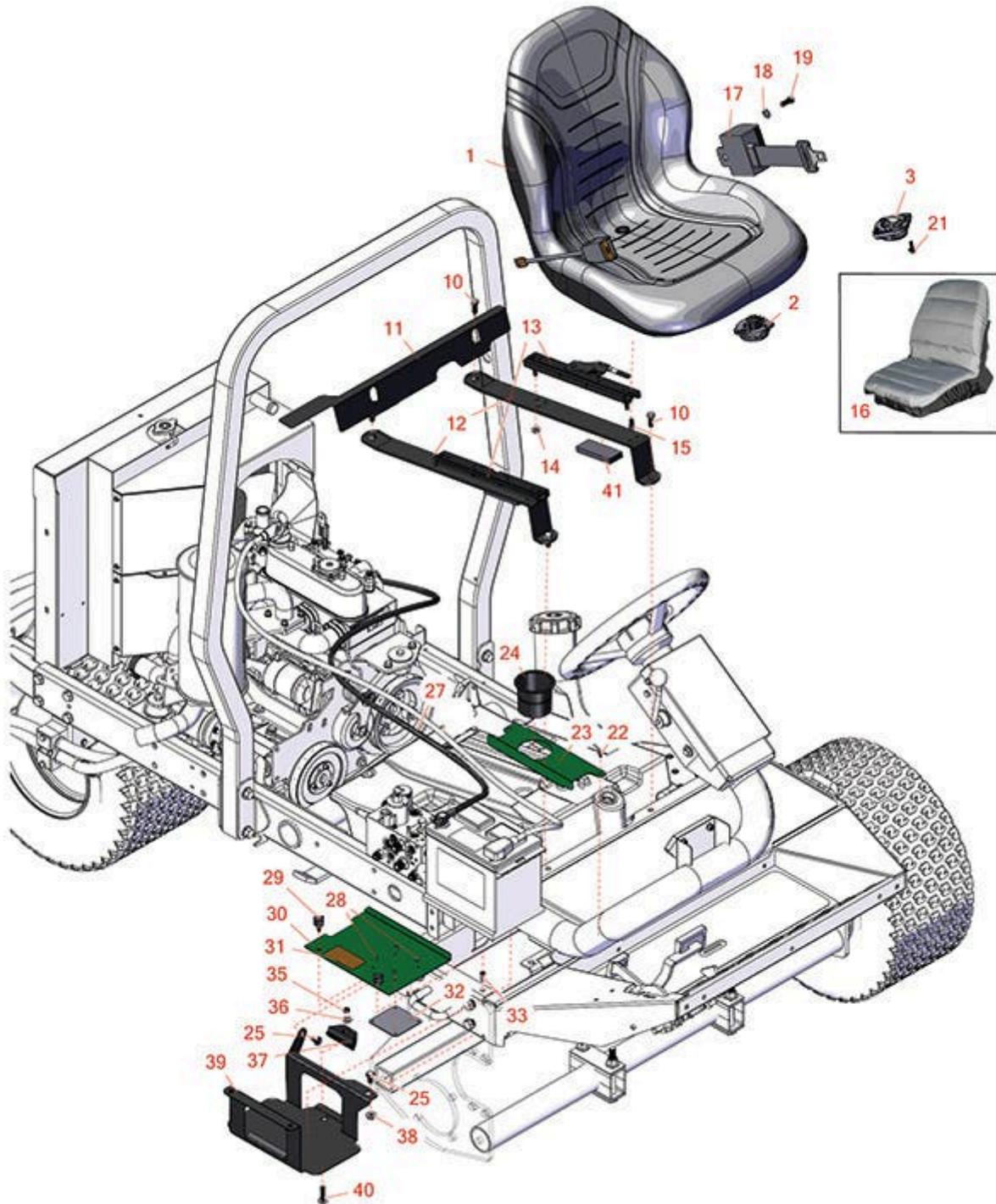




Replaces R&R Products Reel Max 331LP

Parts

Traction Unit
Battery & Seat



All original equipment manufacturers names and part numbers are used for identification purposes only, and we are in no way implying that our products are original equipment parts. Prices subject to change without notice.



Replaces R&R Products Reel Max 331LP

Parts

Traction Unit
Battery & Seat



Item No	R&R Part No.	OEM Part No.	Description	Qty Req	Order Quantity
1	RMXB200GY	R100-3187, R1001774, R104-4620, R21-4880, R351-59, R351-76, R4139438, R49-8130, R63-9410, R66-5400, R66172, R75-9190, R750105, R92-6280	Milsco Seat XB200 - Grey	1	

Tech Note: This seat will not accept seat belts:

Other Parts Available

2	R151541		Delta Seat Switch - Twist Mount 1 Pole Normally Open	0	
3	R92-6282	R554390, RAET10449	Switch - Kill - Seat	1	
10	R3234-11		Bolt - Hex Washer HD	4	
11	R104-4833-03		Shield - Heat	1	
12	R104-4847-03		Strap - Seat Support	2	
13	R150224	R133-8896, R92-8990, R92-8991	Adjusters - Seat (Set of 2)	1	
14	R104-8300	R119-4041	Locknut - 5/16-18 Flanged Y/Zinc	4	
15	R322-2	R513338P	Bolt - Hex HD 5/16-18 x 5/8	4	
16	R120-5179		Large Seat Cover - Gray	1	
17	R150848	R100-4928, R95-8910	Belt-Seat	1	

All original equipment manufacturers names and part numbers are used for identification purposes only, and we are in no way implying that our products are original equipment parts. Prices subject to change without notice.



Replaces R&R Products Reel Max 331LP

Parts

*Traction Unit
Battery & Seat*



Item No	R&R Part No.	OEM Part No.	Description	Qty Req	Order Quantity
18	R3253-6	R01-166-0710, R23-12-GD, R59-7590, RF4076	Washer - Lock 7/16 Zinc	2	
19	R400370		Bolt - Hex HD 7/16-20 x 1 GR5	2	
21	R32144-10	R32140-81, R32144-3, R34-140-AMVD	Bolt - 1/4-20 x 3/4 Serrated Hx Wshr	2	
22	R300403	R09110, R32144-4, R32144-63	Bolt - Hex HD 1/4-20 x 1/2	2	
23	R95-8817G		Cover-Battery, Inner - Green	1	
24	R94-1410	R151023	Holder - Beverage Can	1	
25	R3234-1		Bolt - Flanged Serrated Hex HD 3/8-16 x 3/4	4	
27	R95-8854		Cable - Battery - Neg	1	
28	R3269-27		Rivet - Snap	4	
29	R233-70	R42619	Knob - Star - Three Prong	2	
30	R99-3602G		Battery Cover Assy	1	
31	R93-7276		Decal - Danger	1	
32	R87-7620		Shield - Terminal	1	
33	R32148-6		Insert - Nut	2	
35	R3296-29	3296-29, R1-804256, R915662P	Locknut - 5/16-18 ESNA	1	

All original equipment manufacturers names and part numbers are used for identification purposes only, and we are in no way implying that our products are original equipment parts. Prices subject to change without notice.



Replaces R&R Products Reel Max 331LP

Parts

*Traction Unit
Battery & Seat*



Item No	R&R Part No.	OEM Part No.	Description	Qty Req	Order Quantity
36	R453011	3256-24, 453011, R01-166-0100, R01-166-0120, R01-166-0270, R01-166-0500, R01-166-0600, R01-166-0620, R132-4593, R237-12, R24-10-AD, R24-11-AD, R24-11-BD, R24-12-AD, R24-12-BD, R30-9310, R32-8190, R3256-24, R3256-3, R3256-36, R3256-4, R47-9950	Washer - Flat 3/8 SAE Y/Zinc	1	
37	R66-2490		Retainer - Battery	1	
38	R32128-43	R30-8990, R3290-357	Nut - Flanged Whiz - 3/8-16	4	
39	R95-8796-03	R95-8796	Support -Battery	1	
40	R3230-6		Bolt - Carraige	1	
41	R95-8896		Foam	2	

All original equipment manufacturers names and part numbers are used for identification purposes only, and we are in no way implying that our products are original equipment parts. Prices subject to change without notice.