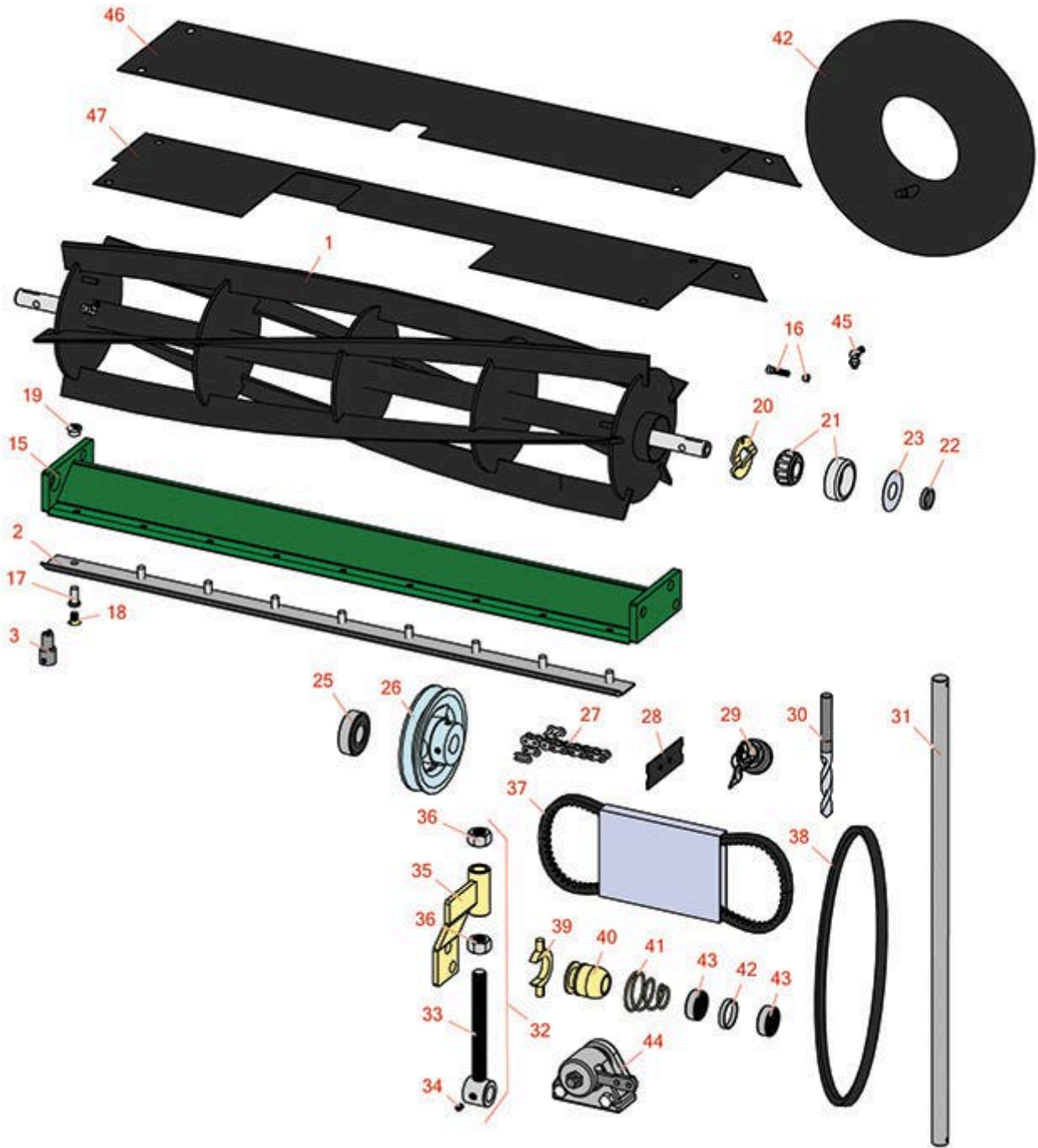




Replaces National 84 Mower Parts

Cutting Unit
Reel & Bedknife



All original equipment manufacturers names and part numbers are used for identification purposes only, and we are in no way implying that our products are original equipment parts. Prices subject to change without notice.



Replaces National 84 Mower Parts

Cutting Unit
Reel & Bedknife



Item No	R&R Part No.	OEM Part No.	Description	Qty Req	Order Quantity
---------	--------------	--------------	-------------	---------	----------------

R&R Reels, Lifetime Guaranteed

1	RE838-5	E838-5	Reel - 5 Blade	1	
1	RE838-6	200572, E838-6	Reel - 6 Blade	1	
1	R200839	200839	Reel - 8 Blade	0	

R&R Bedknives, Lifetime Guaranteed

2	RE831	E317, E831	Bedknife - w/Rivets	1	
2	R700406		Bedknife - Use w/ R700405	1	

Tech Note: Use w/R700405 bedbar, R150477 Screw or with R150478 Screw and R201802 Nuts:

Service Tools

3	R51-0880		Bedknife Screw Driver Tool	0	
42	R700187		Tube - 23-8.50x12	2	
42	R700191		Tube - 16-6.50x8	2	

Other Parts Available

15	R700405	E866	Bed Bar - w/Threaded Holes	1	
16	R200256	200256, E320A, E320B	Screw - w/Nut Reel Brg Adj.	1	
17	R101283		Rivet - Bedknife 5/16 x 3/4	9	
18	R150477		Screw - Bedknife 5/16-18 x 1/2	9	

Tech Note: Use w/R700405:

18	R150478	02109	Screw - Bedknife 5/16-18 x 3/4	9	
----	----------------	-------	--------------------------------	---	--

Tech Note: Used to Convert Riveted Bed Bar to Bolt on Bedknives:

19	R201802	201802	Nut - Bedknife	9	
----	----------------	--------	----------------	---	--

<p>All original equipment manufacturers names and part numbers are used for identification purposes only, and we are in no way implying that our products are original equipment parts. Prices subject to change without notice.</p>
--



Replaces National 84 Mower Parts

Cutting Unit
Reel & Bedknife



Item No	R&R Part No.	OEM Part No.	Description	Qty Req	Order Quantity
---------	--------------	--------------	-------------	---------	----------------

Tech Note: Used to Convert Riveted Bed Bar to Bolt on Bedknives:

20	R201437	201437, E839	Adjuster - Bearing Reel	1	
21	RE840	E323, E840	Bearing - with Cup	2	
22	R2-03508	2-03508	O-Ring - Reel	2	
23	R2-02621	2-02621	Washer - Reel	2	
25	RDD803A	DD803A	Bearing	2	

Tech Note: Lower Countershaft:

26	RD815	D815	Pulley - Countershaft	3	
26	RE826	E826	Pulley - Reel Low Speed	3	
27	RE847	E847	Chain - Rear Reel	1	
28	R501191	501191	Verti-Cut Blade - 1/16 Thick	0	
29	R12-8140	A808B	Switch - Key 5 Lead	1	
30	R700408		Drill - 33/64 w/1/2 Shank	1	

Tech Note: Used to Convert Riveted Bed Bar to Bolt on Bedknives:

31	RE821	E821	Rod - Pull Wing Mower	2	
32	REE876AL	EE876AL	Bracket - Roller LH	1	

Tech Note: L.H. Fits 3" Rollers Only:

32	REE876AR	EE876AR	Bracket - Roller RH	1	
----	-----------------	---------	---------------------	---	--

Tech Note: R.H. Fits 3" Rollers Only:

33	R700410		Rod - Threaded w/Tube	1	
----	----------------	--	-----------------------	---	--

Tech Note: Thread is 5-1/2" long:

34	R415521		Screw - Set - 5/16-18 x 3/8	2	
----	----------------	--	-----------------------------	---	--

<p>All original equipment manufacturers names and part numbers are used for identification purposes only, and we are in no way implying that our products are original equipment parts. Prices subject to change without notice.</p>
--



Replaces National 84 Mower Parts

Cutting Unit
Reel & Bedknife



Item No	R&R Part No.	OEM Part No.	Description	Qty Req	Order Quantity
35	R700411		Bracket - Roller LH	1	
35	R700412		Bracket - Roller RH	1	
36	R700413		Nut - 5/8-11	4	
37	RAA806	AA806	Belt - Hi Speed Briggs/Kohl	1	
37	RA806	A806	Belt - High Speed/Wis Eng.	1	
37	RA810	A810	Belt - Main Drive	1	
37	RE846A	E846A	Belt - Wing Mower	2	
37	RE846B	E846B	Belt - Rear Mower	1	
38	RAA805	AA805	Belt - Fits Briggs/Kohler	1	
<i>Tech Note: Torque Team:</i>					
38	R03914	03914	Belt - Use w/Briggs Vanguard	1	
38	RE310	A805, E310	Belt - Rear Mower	1	
<i>Tech Note: Fits Wisconsin Engine Torque Team:</i>					
39	RD840B	D840B	Yoke - Brass	1	
40	RDD835	DD835	Throwout - Clutch - Hardened	1	
41	RD848	D848	Spring - Clutch Release	1	
42	RD845	D845	Spacer - Clutch Pulley Brg	1	
43	RD829	D829	Bearing - Clutch	2	
44	R07054	07054	Brake - Disc	1	
45	R700414		Zerk - Grease 1/4-28 45 Deg	2	
46	REE823B	EE823B	Shield - Wing Mower	2	
47	REE823A	EE823A	Shield - Rear Mower	1	

All original equipment manufacturers names and part numbers are used for identification purposes only, and we are in no way implying that our products are original equipment parts. Prices subject to change without notice.