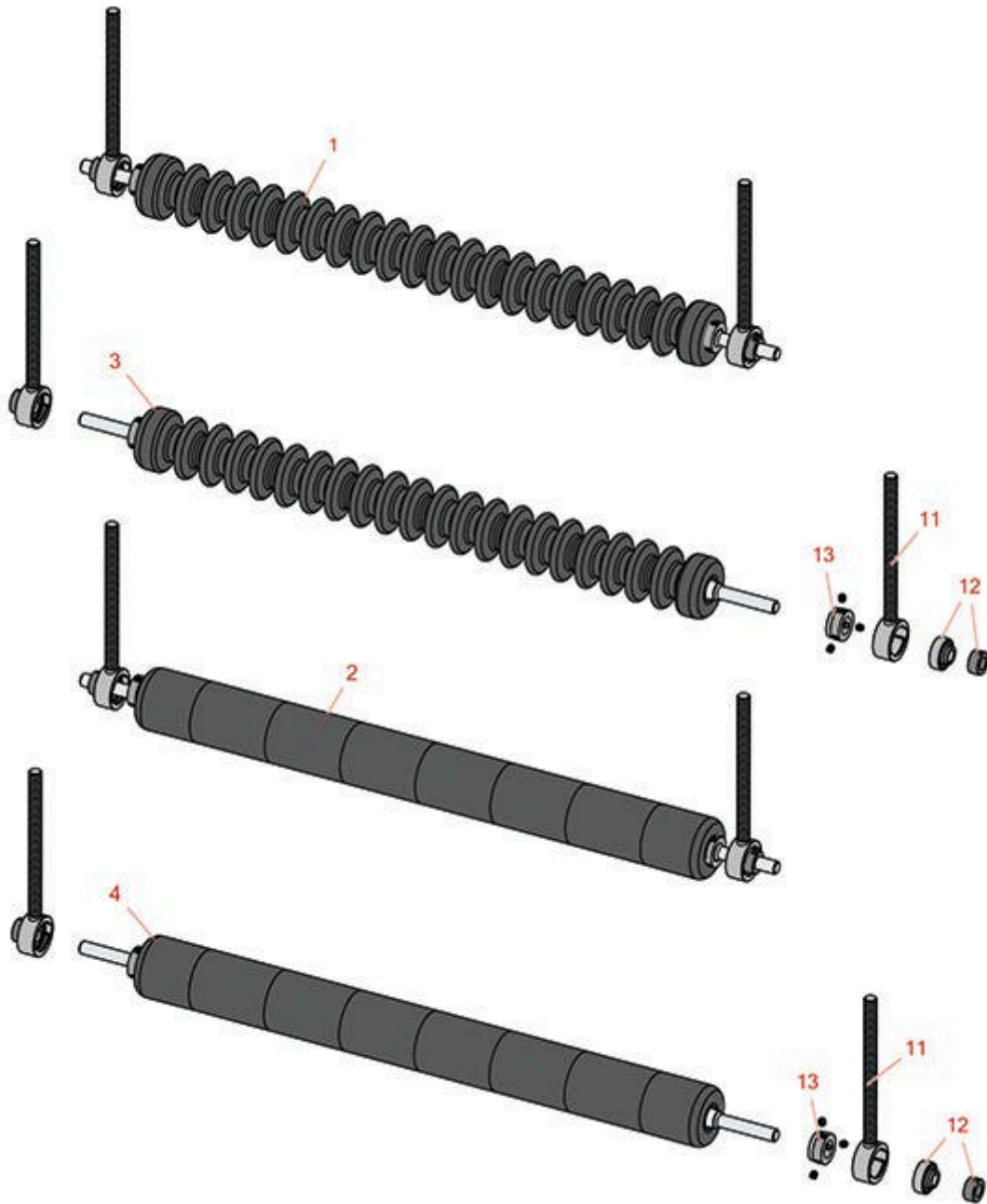




Replaces National 84 Mower Parts

Cutting Unit

Minuteman Roller System



All original equipment manufacturers names and part numbers are used for identification purposes only, and we are in no way implying that our products are original equipment parts. Prices subject to change without notice.



Replaces National 84 Mower Parts

Cutting Unit

Minuteman Roller System



Item R&R
No Part No.

OEM
Part No. Description

Qty
Req

Order
Quantity

Complete Minuteman Roller Systems

1	RMN3002	MN3002	Minuteman Rear Grooved Roller System	0
---	----------------	--------	--------------------------------------	---

Tech Note: Complete roller systems include roller and two brackets with bearings.:

2	RMN3003	MN3003	Minuteman Rear Smooth Roller System	0
---	----------------	--------	-------------------------------------	---

Tech Note: Complete roller systems include roller and two brackets with bearings.:

Minuteman Rollers Only

3	RM522	M522	Minuteman Grooved Roller Only	0
---	--------------	------	-------------------------------	---

Tech Note: Fits 30" Units. Use with Minuteman Roller Bracket System Only:

4	RM523	M523	Minuteman Smooth Roller Only	0
---	--------------	------	------------------------------	---

Tech Note: Fits 30" Units. Use with Minuteman Roller Bracket System Only:

Other Parts Available

11	RN121	N121	Bracket - Minuteman Roller 5/8	2
----	--------------	------	--------------------------------	---

12	RMMB157	MMB157	Bearing w/Locking Collar	2
----	----------------	--------	--------------------------	---

13	RMM3	MM3	End Hub - 7/8 ID	2
----	-------------	-----	------------------	---

All original equipment manufacturers names and part numbers are used for identification purposes only, and we are in no way implying that our products are original equipment parts. Prices subject to change without notice.