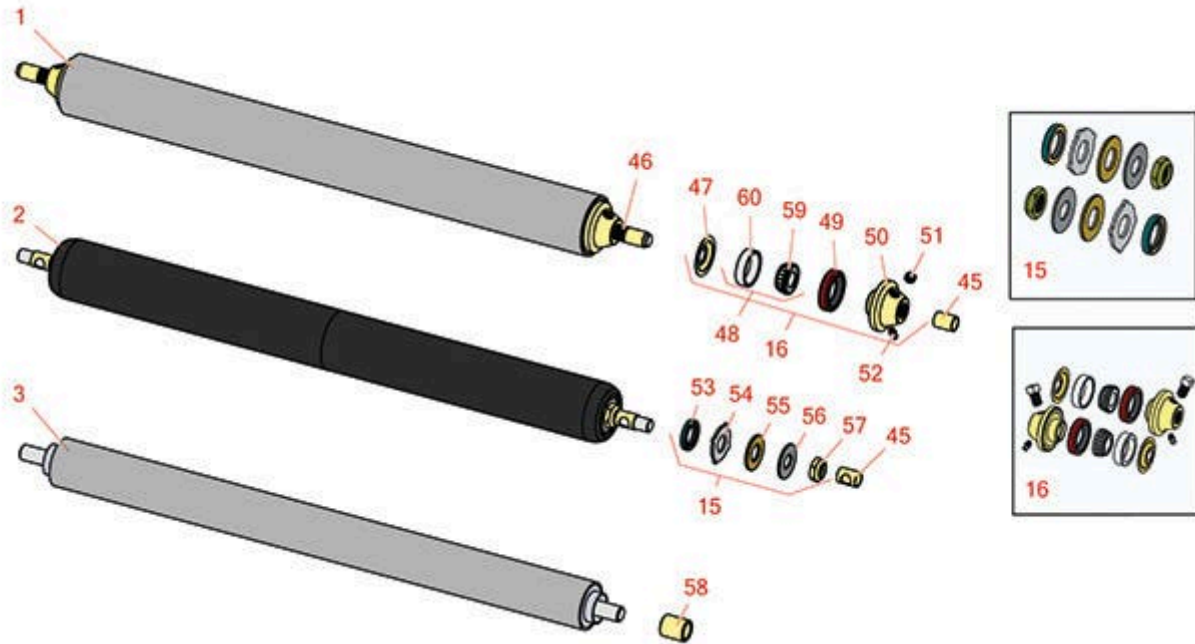




Replaces National 84 Mower Parts

Cutting Unit
Rollers



All original equipment manufacturers names and part numbers are used for identification purposes only, and we are in no way implying that our products are original equipment parts. Prices subject to change without notice.



Replaces National 84 Mower Parts

Cutting Unit
Rollers



Item No	R&R Part No.	OEM Part No.	Description	Qty Req	Order Quantity
---------	--------------	--------------	-------------	---------	----------------

R&R Rollers

1	R700510	E877	Roller - Regreasable 3	1
---	----------------	------	------------------------	---

Tech Note: Constructed with a through shaft, this heavy duty roller uses greasable tapered bearings for extended life.:

2	R7003000		Roller - Smooth UHMW Polyethylene	1
---	-----------------	--	-----------------------------------	---

Tech Note: Machined from solid UHMW, this low maintenance roller uses a 1" solid stainless steel shaft and requires no grease. UHMW material prevents build-up of debris.:

3	RE835	E835	Roller - Smooth Tubular Steel	1
---	--------------	------	-------------------------------	---

Overhaul Kits

15	R101399		Overhaul Kit - UHMW 2 Pc Roller	1
----	----------------	--	---------------------------------	---

Tech Note: Fits all R&R 2-1/2" - 3-1/2" Dia. Black UHMW Plastic Rollers that do not use ball bearings.. Includes 2 ea.: R1503230 Star Washers, R1503470 Seals, R150333 Thrust Washers, R3296-15 Locknuts, R1503471 Bronze Thrust Washers:

16	R700505		Conversion Kit - Roller	0
----	----------------	--	-------------------------	---

Tech Note: Includes: 2 each: R254-78 Bearing Cones, R254-79 Bearing Cups, R328062 Seals, R412063 Square Head Set Screws, R700501 Roller Ends & R700502 Grease Retainers.:

Other Parts Available

45	R700401		Bushing - Front Roller	2
----	----------------	--	------------------------	---

46	R700511		Shaft - Roller - 3 Roller	1
----	----------------	--	---------------------------	---

47	R700502		Retainer - Grease	2
----	----------------	--	-------------------	---

48	R500534		Bearing - with Cup	2
----	----------------	--	--------------------	---

49	R328062		Seal - Roller	2
----	----------------	--	---------------	---

50	R700501		Roller End - Regreasable	2
----	----------------	--	--------------------------	---

51	R700517		Screw - Allen HD Set 1/2-13x3/8	2
----	----------------	--	---------------------------------	---

52	R302-5		Fitting - Grease	2
----	---------------	--	------------------	---

All original equipment manufacturers names and part numbers are used for identification purposes only, and we are in no way implying that our products are original equipment parts. Prices subject to change without notice.



Replaces National 84 Mower Parts

Cutting Unit
Rollers



Item No	R&R Part No.	OEM Part No.	Description	Qty Req	Order Quantity
53	R1503470		Seal - Inner Wiper	2	
54	R1503230		Washer - Thrust Outer Keyed	2	
55	R1503471		Washer - Thrust SAE660 Bronze	2	
56	R150333		Washer - Flat Keyed Outer SS	2	
57	R3296-15		Locknut - 3/4-16 Nylon Jam	2	
58	RE850	E850	Bushing - Bronze	2	
59	R254-78		Tapered Bearing Cone	2	
60	R254-79		Cup - Bearing	2	

Tech Note: Use R254-79M installation mandrel to properly install race.:

All original equipment manufacturers names and part numbers are used for identification purposes only, and we are in no way implying that our products are original equipment parts. Prices subject to change without notice.