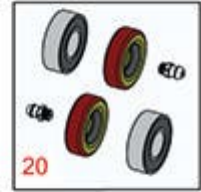
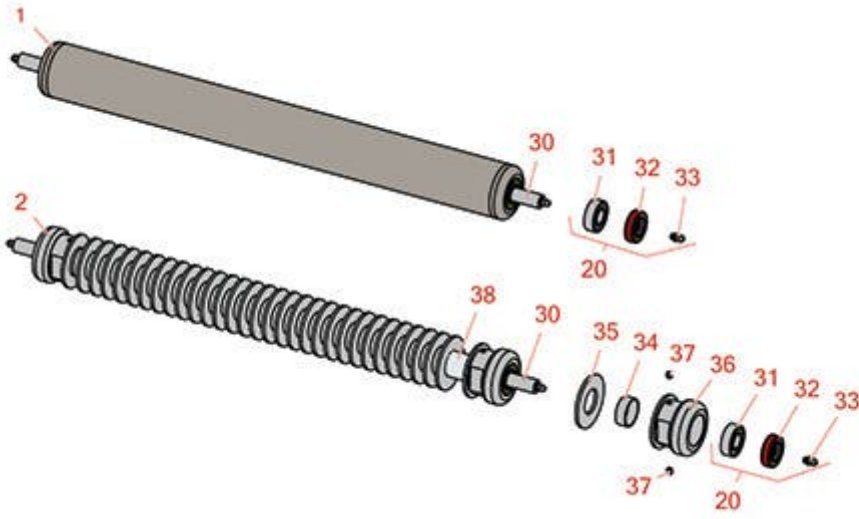




# Replaces John Deere 22 Greens Mower

## Parts

Cutting Unit  
Rollers



All original equipment manufacturers names and part numbers are used for identification purposes only, and we are in no way implying that our products are original equipment parts. Prices subject to change without notice.



# Replaces John Deere 22 Greens Mower

## Parts

Cutting Unit  
Rollers



Item No	R&R Part No.	OEM Part No.	Description	Qty Req	Order Quantity
<b>R&amp;R Rollers</b>					
1	<b>R101281</b>		Roller - Smooth Tubular Steel	0	
<i>Tech Note: Constructed with a through shaft and greasable ball bearings.:</i>					
2	<b>RET11502R</b>		Roller - Grooved Repairable Steel	0	
<i>Tech Note: Constructed with a through shaft and greasable ball bearings, this roller can be repaired by unscrewing the ends and replacing the series of washers and spacers.:</i>					
<b>Overhaul Kits</b>					
20	<b>R100130</b>		Overhaul Kit - Roller	0	
<i>Tech Note: Includes 2 ea.: R302-5 Grease Fittings, R303558 Bearings, &amp; R305115 Seals:</i>					
<b>Other Parts Available</b>					
30	<b>R500516</b>	ET15221	Shaft - 2-3/8 Grooved Roller	1	
31	<b>R303558</b>	ET15220	Bearing - Roller	2	
31	<b>RG-43</b>	M93189	Bearing - Roller	2	
32	<b>R305115</b>	ET15219	Seal - Roller	2	
32	<b>RET11033</b>	ET11033	Seal	2	
33	<b>R302-5</b>	JD7797, JD7842, JD7844	Fitting - Grease	2	
34	<b>R150651</b>		Spacer - 2-3/8 Roller	34	
35	<b>R150653</b>		Washer - 2-3/8 Roller	0	
36	<b>R150665</b>		Roller End - 2-3/8 Repairable	2	
37	<b>R150690</b>		Screw - Set 1/4-20 x 1/4	4	
38	<b>R150656</b>		Tube - Threaded RET11502R	1	

All original equipment manufacturers names and part numbers are used for identification purposes only, and we are in no way implying that our products are original equipment parts. Prices subject to change without notice.