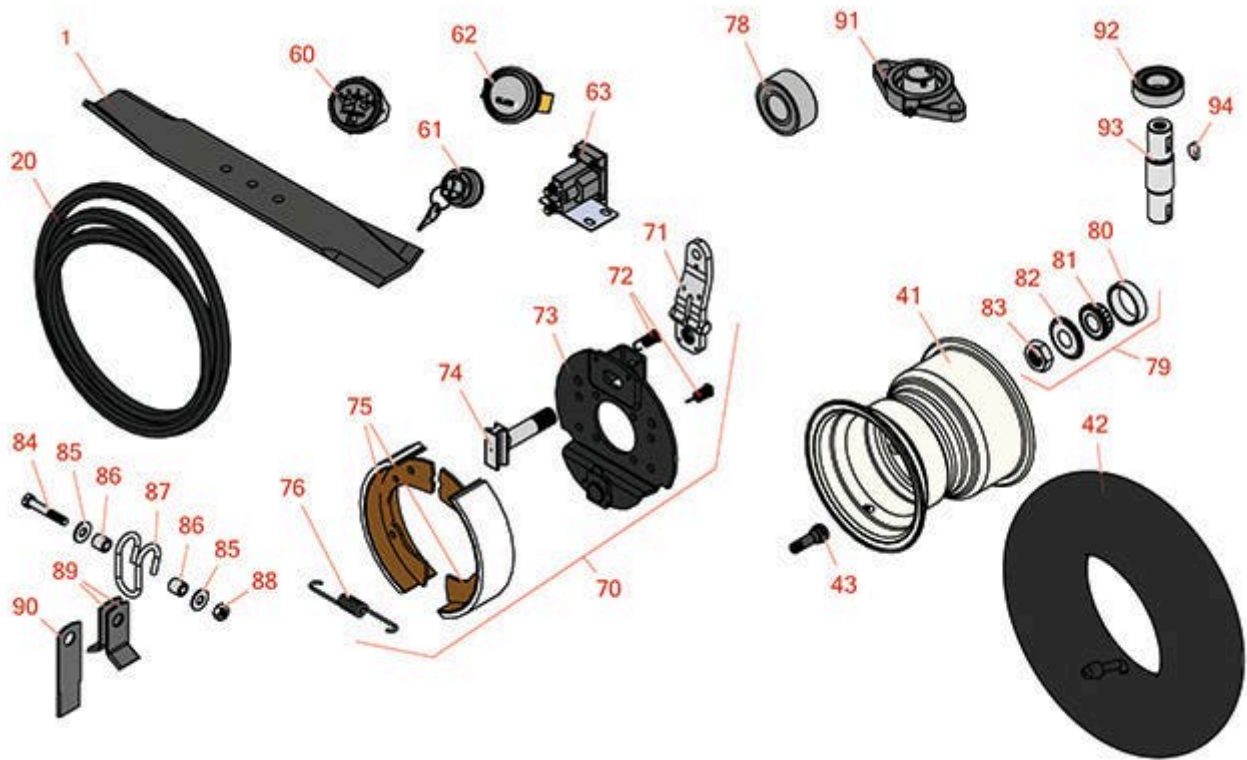




# Replaces Jacobsen Turfcut 50 & 60 Parts

Rotary Mower  
Rotary Parts



All original equipment manufacturers names and part numbers are used for identification purposes only, and we are in no way implying that our products are original equipment parts. Prices subject to change without notice.



# Replaces Jacobsen Turfcut 50 & 60 Parts

Rotary Mower

Rotary Parts



Item No	R&R Part No.	OEM Part No.	Description	Qty Req	Order Quantity
---------	--------------	--------------	-------------	---------	----------------

## Rotary Blades

1	<b>R390513</b>	390513	Mower Blade - Fits 50	3	
---	----------------	--------	-----------------------	---	--

*Tech Note: Outside Holes 2-7/8" on center:*

## Belts

20	<b>R101400</b>	395124	Belt - 50 Deck	1	
20	<b>R101405</b>	390264	Belt - 60 Deck	1	
41	<b>R121704</b>	121704	Wheel - with Valve Stem	2	
42	<b>R700141</b>		Tube - 18x6.50/7.50/8.50/9.50-8 TR13	2	
43	<b>R232-24</b>	341680, 363233	Stem - Valve w/ Cap	4	

## Gauges & Controls

60	<b>R33-0990</b>	107917	Meter - Amp	1	
61	<b>R12-8140</b>	129846	Switch - Key 5 Lead	1	
62	<b>R162723</b>	162723, 358825	Meter - Hour	1	
63	<b>R131905</b>	126070, 131905	Solenoid - Starter	1	

## Other Parts Available

70	<b>R501307</b>	501307	Brake Assy	0	
<i>Tech Note: Includes: 2ea: R353868 Spring; 1 ea: R130191 Plate, R353869 Spring, R501150 Shoes, R546516 Camshaft &amp; R554526 Lever:</i>					
71	<b>R554526</b>	501151, 554526	Lever - Brake	2	
72	<b>R353868</b>	353868	Spring - Shoe Hold Down	4	

All original equipment manufacturers names and part numbers are used for identification purposes only, and we are in no way implying that our products are original equipment parts. Prices subject to change without notice.



# Replaces Jacobsen Turfcut 50 & 60 Parts

Rotary Mower

Rotary Parts



Item No	R&R Part No.	OEM Part No.	Description	Qty Req	Order Quantity
73	<b>R130191</b>	130191	Plate - Brake Support	1	
74	<b>R546516</b>	546516	Camshaft - Brake	2	
75	<b>R501150</b>	501150	Shoe - Brake Set / 2	2	
76	<b>R353869</b>	353869, 555714	Spring - Shoe Return	2	
78	<b>R362000</b>	362000	Bearing - Drive Pulley	1	
79	<b>R500533</b>	500533	Bearing - w/Cup and Ring	2	
80	<b>R254-79</b>	254-79, 4121175	Cup - Bearing	2	
<i>Tech Note: Use R254-79M installation mandrel to properly install race.:</i>					
81	<b>R254-78</b>	254-78, 385174, 4121174, 4135152	Tapered Bearing Cone	2	
82	<b>R311957</b>	311957	Ring - Nilos	2	
83	<b>R444742</b>	444742	Nut - 3/4-16 Gripco Centerlock	1	
84	<b>R400234</b>	400234	Bolt - Hex HD 5/16-24 x 2 GR5	90	
85	<b>R310266</b>	310266, 452004, 452006, 452008	Washer - Flat 5/16 USS	180	
85	<b>R453009</b>	3256-23, 452004, 452006, 452008, 453009	Washer - Flat 5/16 SAE	180	
86	<b>R362227</b>	362227	Spacer - Flail Blade	180	
87	<b>R362226</b>	362226	Shackle	90	

All original equipment manufacturers names and part numbers are used for identification purposes only, and we are in no way implying that our products are original equipment parts. Prices subject to change without notice.



# Replaces Jacobsen Turfcut 50 & 60 Parts

Rotary Mower

Rotary Parts



Item No	R&R Part No.	OEM Part No.	Description	Qty Req	Order Quantity
88	<b>R444754</b>	444754	Locknut - 5/16-24 Center	90	
89	<b>R337599</b>	337599	Blade - Flail	180	
<i>Tech Note: 1-1/4" wide, 2-5/8" long with 9/16" mounting hole:</i>					
90	<b>R337773</b>	337773	Verti-Cut Blade	90	
<i>Tech Note: 4" long with 9/16" mounting hole:</i>					
91	<b>R362230</b>	362230	Bearing - Roller	2	
92	<b>R345050</b>	345050	Bearing	6	
<i>Tech Note: Use w/R339165 and R351430 Shaft:</i>					
92	<b>R350759</b>	350759	Bearing - Spindle	6	
<i>Tech Note: Use w/R337547 Shaft:</i>					
93	<b>R351430</b>	351430	Shaft - Spindle 50 Deck	3	
<i>Tech Note: 1 1/8 Dia Center x 4 3/4 long:</i>					
93	<b>R337547</b>	337547	Shaft - Spindle 50 Deck	3	
<i>Tech Note: 1 3/8 Dia Center x 4 3/4 long:</i>					
93	<b>R339165</b>	339165	Shaft - Spindle 60 Deck	3	
<i>Tech Note: 1 1/8 Dia Center x 4 1/2 long:</i>					
94	<b>R463017</b>	463017	Key - Woodruff	6	

All original equipment manufacturers names and part numbers are used for identification purposes only, and we are in no way implying that our products are original equipment parts. Prices subject to change without notice.