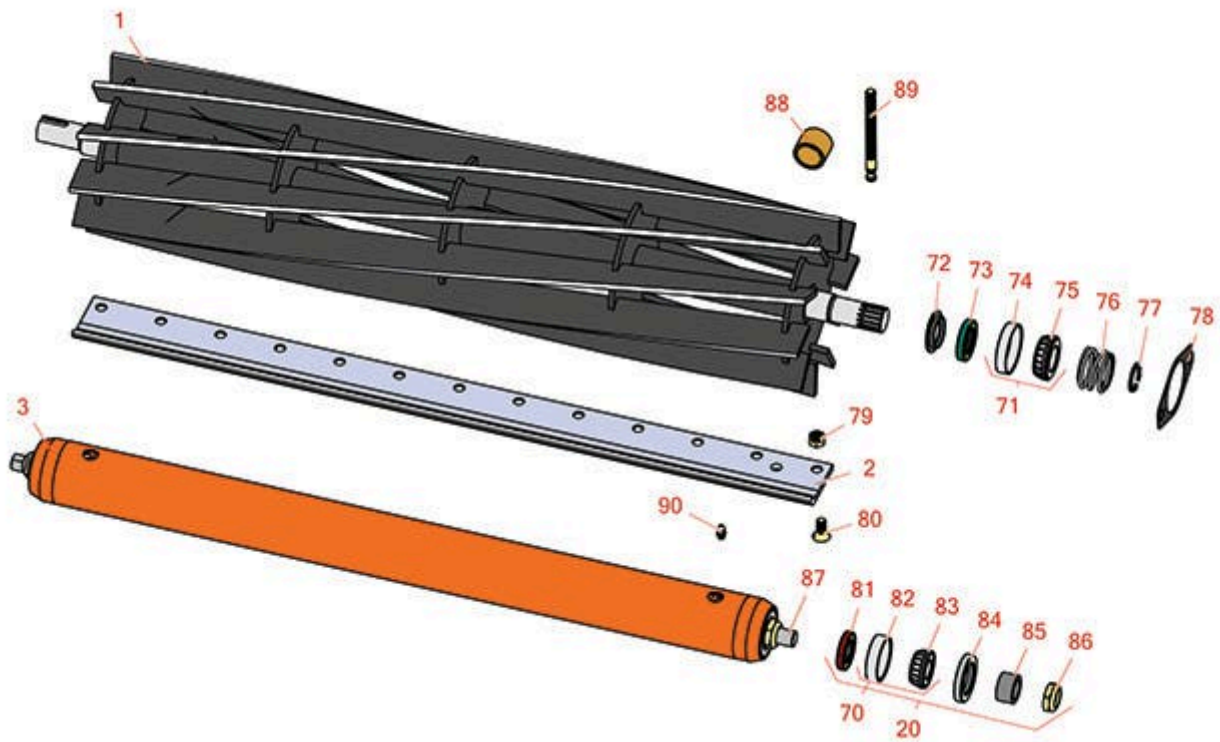




Replaces Jacobsen Tri-King 1884D Parts

Cutting Unit
Reel & Bedknife



All original equipment manufacturers names and part numbers are used for identification purposes only, and we are in no way implying that our products are original equipment parts. Prices subject to change without notice.



Replaces Jacobsen Tri-King 1884D Parts

Cutting Unit
Reel & Bedknife



Item No	R&R Part No.	OEM Part No.	Description	Qty Req	Order Quantity
---------	--------------	--------------	-------------	---------	----------------

R&R Reels, Lifetime Guaranteed

1	R503359	503359	Reel - 5 Blade LH/Center - 30 in	2
---	----------------	--------	----------------------------------	---

Tech Note: Note drive motor position when seated in the mower facing forward. This Reel should have the motor on the RIGHT hand side:

1	R503360	503360	Reel - 5 Blade RH 30 in	1
---	----------------	--------	-------------------------	---

Tech Note: Note drive motor position when seated in the mower facing forward. This Reel should have the motor on the LEFT hand side:

1	R503361	503361	Reel - 10 Blade LH/Center - 30 in	2
---	----------------	--------	-----------------------------------	---

Tech Note: Note drive motor position when seated in the mower facing forward. This Reel should have the motor on the RIGHT hand side:

1	R503362	503362	Reel - 10 Blade RH - 30 in	1
---	----------------	--------	----------------------------	---

Tech Note: Note drive motor position when seated in the mower facing forward. This Reel should have the motor on the LEFT hand side:

R&R Bedknives, Lifetime Guaranteed

2	R503550	331692, 503363, 503550	Bedknife - 30 in (13 Hole)	1
---	----------------	------------------------------	----------------------------	---

R&R Rollers

3	R104130	116933, 132640	Roller - Smooth Tubular Steel	1
---	----------------	-------------------	-------------------------------	---

Tech Note: Constructed with a through shaft, this heavy duty roller uses greasable tapered bearings for extended life.:

Overhaul Kits

20	R100138		Overhaul Kit - Roller	0
----	----------------	--	-----------------------	---

Tech Note: Includes 2 ea.: R3296-15 Locknuts, R253-152 Seals, R253-117 Seals, R5-4038 Wear Sleeves, R254-78 Bearings, R254-79 Bearing Cups, & R302-5 Grease Fittings:

Other Parts Available

All original equipment manufacturers names and part numbers are used for identification purposes only, and we are in no way implying that our products are original equipment parts. Prices subject to change without notice.



Replaces Jacobsen Tri-King 1884D Parts

Cutting Unit
Reel & Bedknife



Item No	R&R Part No.	OEM Part No.	Description	Qty Req	Order Quantity
70	R500534	500534, R500534	Bearing - with Cup	0	
71	R500596	500596	Tapered Bearing Set - Cup and Cone	2	
72	R364275	364275	Disc - Reel Shaft	2	
73	R337593	3000983, 337593	Seal	2	
74	R254-72	313456	Cup - Bearing	2	
75	R254-94	313089	Tapered Bearing Cone	2	
76	R364148	364148	Spring - Reel Brg Tension	1	
77	R458039	458039	Ring - Retaining	1	
78	R364777	364777	Gasket - Motor End	1	
79	R101271	445684	Nut - Bedknife	13	
80	R101270	402698, 403757	Screw - Bedknife 3/8-24 x 13/16	13	
81	R253-152	3001656	Seal - Inner Roller	2	
82	R254-79	254-79, 4121175	Cup - Bearing	2	
<i>Tech Note: Use R254-79M installation mandrel to properly install race.:</i>					
83	R254-78	254-78, 385174, 4121174, 4135152	Tapered Bearing Cone	2	
84	R253-117	253-117, 3004882	Seal - Outer Triple Lip	2	
85	R5-4038	5-4038	Sleeve - Wear Reel Shaft	2	

All original equipment manufacturers names and part numbers are used for identification purposes only, and we are in no way implying that our products are original equipment parts. Prices subject to change without notice.



Replaces Jacobsen Tri-King 1884D Parts

Cutting Unit
Reel & Bedknife



Item No	R&R Part No.	OEM Part No.	Description	Qty Req	Order Quantity
86	R3296-15	3296-15, 367029, 444742	Locknut - 3/4-16 Nylon Jam	2	
87	R1013820		Shaft - 1 SS Roller 2 Pc	1	
88	R364140	364140	Bushing	2	
<i>Tech Note: Pull Frame:</i>					
89	R364265	364265	Screw - Adjusting Reel 3/8-16 Thd	2	
90	R302-5	302-5, 471214, 471223, 471226	Fitting - Grease	2	

All original equipment manufacturers names and part numbers are used for identification purposes only, and we are in no way implying that our products are original equipment parts. Prices subject to change without notice.