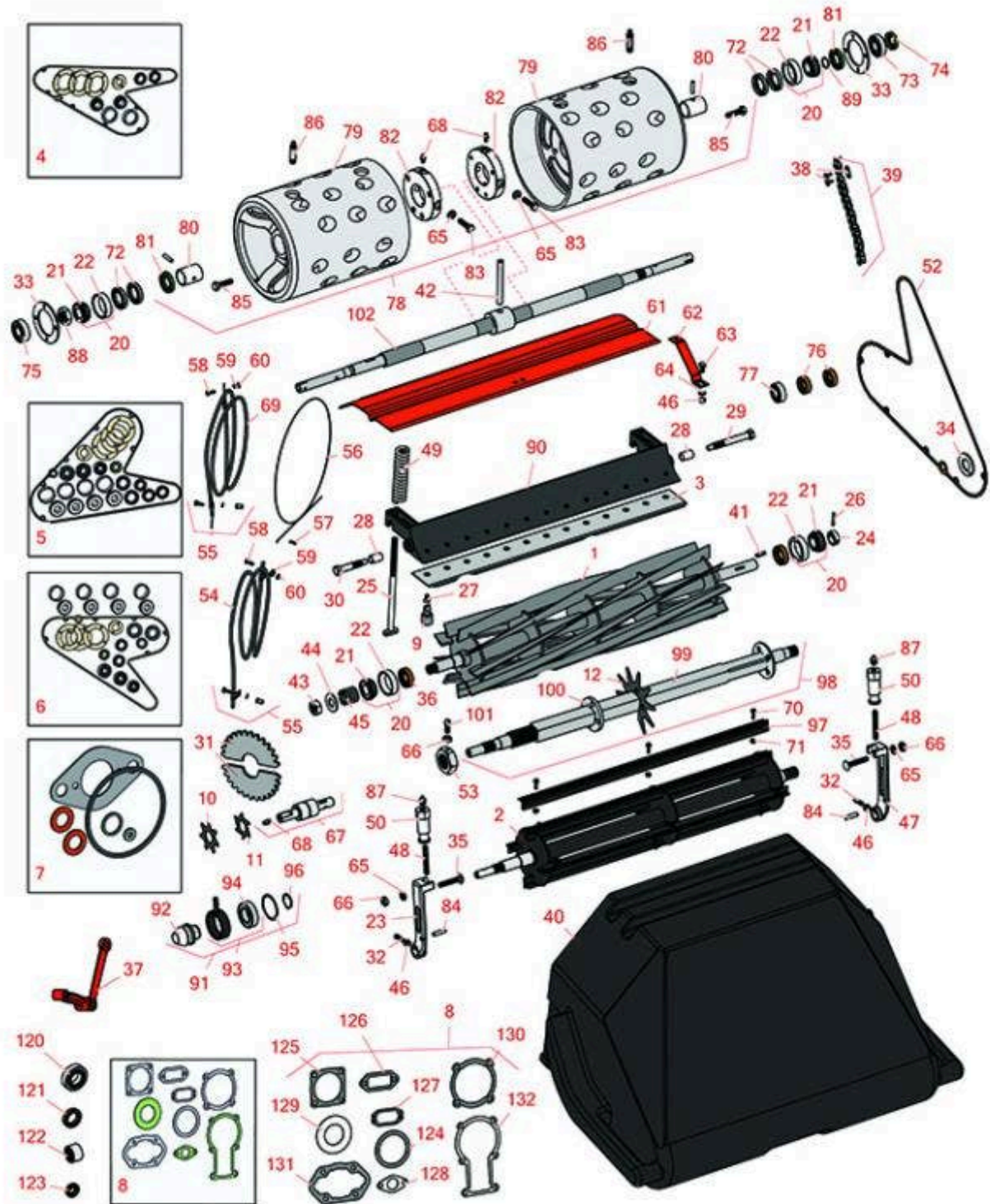




Replaces Jacobsen PGM 19 Parts

Cutting Unit
Reel & Bedknife



All original equipment manufacturers names and part numbers are used for identification purposes only, and we are in no way implying that our products are original equipment parts. Prices subject to change without notice.



Replaces Jacobsen PGM 19 Parts

Cutting Unit
Reel & Bedknife



Item No	R&R Part No.	OEM Part No.	Description	Qty Req	Order Quantity
---------	--------------	--------------	-------------	---------	----------------

R&R Reels, Lifetime Guaranteed

1	R502768	120427, 502768	Reel - 9 Blade	1	
	<i>Tech Note: Fits 22":</i>				
1	R101355	5002605	Reel - 11 Blade	1	
	<i>Tech Note: Fits 22":</i>				
1	R101356		Reel - 14 Blade	1	
	<i>Tech Note: Fits 22":</i>				
1	R503206	503206	Reel - 9 Blade	1	
	<i>Tech Note: Fits 19":</i>				
1	R101350		Reel - 11 Blade	1	
	<i>Tech Note: Fits 19":</i>				
1	R101351		Reel - 14 Blade	1	
	<i>Tech Note: Fits 19":</i>				
2	R101489		Brush Reel - 22 Gm	1	
	<i>Tech Note: Fits 22":</i>				

R&R Bedknives, Lifetime Guaranteed

3	R4234900	5000927	Bedknife - Tournament .063-.110	1	
	<i>Tech Note: Fits 22":</i>				
3	R5002887	5002887	Bedknife - Micro Cut - .082-.109	1	
	<i>Tech Note: Fits 22":</i>				
3	R503479	503029, 503479	Bedknife - Tournament .094-.156 HOC	1	
	<i>Tech Note: Fits 22":</i>				

All original equipment manufacturers names and part numbers are used for identification purposes only, and we are in no way implying that our products are original equipment parts. Prices subject to change without notice.



Replaces Jacobsen PGM 19 Parts

Cutting Unit
Reel & Bedknife



Item No	R&R Part No.	OEM Part No.	Description	Qty Req	Order Quantity
---------	--------------	--------------	-------------	---------	----------------

3	R503478	101260, 503028, 503478, 549504	Bedknife - Thin .125-.219 HOC	1	
---	----------------	---	-------------------------------	---	--

Tech Note: Fits 22":

3	R503477	101261, 503027, 503477, 549397	Bedknife - Thick .156-.438 HOC	1	
---	----------------	---	--------------------------------	---	--

Tech Note: Fits 22":

3	R101273		Bedknife - Tournament 1/16	1	
---	----------------	--	----------------------------	---	--

Tech Note: Fits 19":

3	R101264	503204	Bedknife - Super Thin 3/32	1	
---	----------------	--------	----------------------------	---	--

Tech Note: Fits 19":

3	R101263	503205	Bedknife - Thin 1/8	1	
---	----------------	--------	---------------------	---	--

Tech Note: Fits 19":

R&R Razor Tool Steel Bedknives, Lifetime Guaranteed

3	R101520		Bedknife - Razor Tool Steel - 22 Micro Cut	1	
---	----------------	--	--	---	--

Tech Note: Fits 22":

3	R101521		Bedknife - Razor Tool Steel - 22 Tournament Cut	1	
---	----------------	--	---	---	--

Tech Note: Fits 22":

Overhaul Kits & Service Tools

4	R506557		Overhaul Kit - Cutting Unit	0	
---	----------------	--	-----------------------------	---	--

Tech Note: Includes 3 ea.: R304747 Gaskets; 2 ea.: R304736 Seals, R254-78 Bearings, R254-79 Bearing Cups; 1 ea.: R329037 Gasket & R304757 Gasket:

5	R506558		Overhaul Kit - Cutting Unit 84 - Up	0	
---	----------------	--	-------------------------------------	---	--

All original equipment manufacturers names and part numbers are used for identification purposes only, and we are in no way implying that our products are original equipment parts. Prices subject to change without notice.



Replaces Jacobsen PGM 19 Parts

Cutting Unit
Reel & Bedknife



Item No	R&R Part No.	OEM Part No.	Description	Qty Req	Order Quantity
---------	--------------	--------------	-------------	---------	----------------

Tech Note: Includes: 4 ea.: R254-78 Bearing, R254-79 Cup; 3 ea.: R304747 Gasket; 2 ea.: R337677 Seal, R304736 Seal; 1 ea.: R329037 Gasket, R304757 Gasket, R343667 Bearing, R303566 Bearing, R313777 Seal, R303490 Bearing, R337678 Seal:

6	R506559		Overhaul Kit - Cutting Unit 1983 - Prior	0	
---	----------------	--	--	---	--

Tech Note: Includes: 4 ea.: R254-78 Bearing, R254-79 Cup; 3 ea.: R304747 Gasket; 2 ea.: R304736 Seal, R325652 Seal; 1 ea.: R329037 Gasket; R304757 Gasket; R343667 Bearing; R303566 Bearing; R313777 Seal; R303490 Bearing; R304751 Seal:

7	R112695	112695	Carburetor Kit	0	
---	----------------	--------	----------------	---	--

2 Cycle Engine Gasket Kit

8	R500035	500035	Gasket - Kit Engine	0	
---	----------------	--------	---------------------	---	--

Tech Note: Includes: 1ea.: R308594, R341794, R309749, R341793, R309761, R341792, R313336, R326728, R325488:

9	R101272T		Bedknife Screw Driver Tool	0	
---	-----------------	--	----------------------------	---	--

Tech Note: Easily install and remove bed knife screws with the help of a ratchet. Tool manufactured with hardened alloy steel.:

Blades

10	R363014	363014	Verti-Cut Blade - 2-3/8 Dia	0	
----	----------------	--------	-----------------------------	---	--

11	R363808	363808	Blade - V-Cut 2 Dia	85	
----	----------------	--------	---------------------	----	--

12	R101160		Verti-Cut Blade - Fits 22 Gm	26	
----	----------------	--	------------------------------	----	--

12	R101160C		Verti-Cut Blade - Fits 22 Gm Carbide Tipped	26	
----	-----------------	--	---	----	--

Other Parts Available

20	R500534	500534, R500534	Bearing - with Cup	2	
----	----------------	--------------------	--------------------	---	--

21	R254-78	254-78, 385174, 4121174, 4135152	Tapered Bearing Cone	4	
----	----------------	---	----------------------	---	--

All original equipment manufacturers names and part numbers are used for identification purposes only, and we are in no way implying that our products are original equipment parts. Prices subject to change without notice.



Replaces Jacobsen PGM 19 Parts

Cutting Unit
Reel & Bedknife



Item No	R&R Part No.	OEM Part No.	Description	Qty Req	Order Quantity
22	R254-79	254-79, 4121175	Cup - Bearing	4	
<i>Tech Note: Use R254-79M installation mandrel to properly install race.:</i>					
23	R153979	153979, 3008439	Bracket - Front Roller	1	
24	R325654	325654	Collar - Reel Shaft	1	
25	R332516	332516	Rod - Adjusting (Pgm)	2	
26	R461173	461173	Pin - Grooved	1	
27	R101272	101272, 3009138, 402578, 800813	Screw - Bedknife 1/4-20 x 1/2	13	
28	R545940	2500759, 545940	Bushing	2	
29	R347168	347168	Stud - Backing LH 3-1/2	1	
30	R347169	347169, 365501	Stud - Backing RH 2-5/16	1	
31	R314184	314184, 364880	Disc - Clutch Set/2	1	
32	R352737	352737	Screw - Set 1/4 x 7/8 Sq Head	2	
33	R304747	304747	Gasket - Pgm	3	
34	R304757	304757	Gasket - Pgm	1	
35	R441674	441674	Screw - 5/16-18 x 1-3/4 Carriage	2	
36	R304736	304736	Seal - Reel	2	
37	R239043	239043	Lever - Clutch	1	
38	R470503	470503	Link - Connecting NO.41	2	
38	R4100		Link - Offset Chain NO.41	0	

All original equipment manufacturers names and part numbers are used for identification purposes only, and we are in no way implying that our products are original equipment parts. Prices subject to change without notice.



Replaces Jacobsen PGM 19 Parts

Cutting Unit
Reel & Bedknife



Item No	R&R Part No.	OEM Part No.	Description	Qty Req	Order Quantity
39	R500325	500325	Chain - w/Link Reel to Tract	1	
39	R500326	500326	Chain - w/Link Pto to Reel	1	
40	R101540	68110	Grass Basket - Heavy Duty	1	
<i>Tech Note: Due to excessive air freight charges, this item will be shipped ground freight.:</i>					
41	R463113	463113	Key - Reel Hi Pro	2	
42	R308028	308028	Pin - Hardened Traction Shaft	1	
43	R444713	444713	Locknut - 5/8-18 Hex Center	1	
44	R453020	453020	Washer - 5/8 SAE Flat Z	1	
45	R363047	348846, 363047	Spring - Reel	1	
46	R443102	443102	Nut - 1/4-20 Yellow Zinc	2	
47	R153980	153980, 3008438	Bracket - Front Roller	1	
48	R343616	343616, 443102	Stud	2	
49	R307360	307360	Bed Bar - Spring	2	
50	R343617	343617	Knob - Adjusting	2	
50	R365009	3005692, 365009, 365170, 441674	Knob - Adjusting Roller	2	
52	R329037	329037	Gasket - Pgm	1	
53	R352437	352437	Nut - V-Cut Shaft	1	
54	R154034	154034	Housing - Throttle Wire	1	
55	R303962	303962	Stud - Throttle Wire	1	
56	R342686	342686	Wire - Throttle	1	

All original equipment manufacturers names and part numbers are used for identification purposes only, and we are in no way implying that our products are original equipment parts. Prices subject to change without notice.



Replaces Jacobsen PGM 19 Parts

Cutting Unit
Reel & Bedknife



Item No	R&R Part No.	OEM Part No.	Description	Qty Req	Order Quantity
57	R402056	402056	Screw - Throttle Wire Stud	1	
58	R403936	403936	Screw - 10-32 x 1/2THROTTLE	1	
59	R446116	446116	Washer - Lock 10	1	
60	R444312	444312	Nut - 10-32	1	
61	R500614	331722, 500614	Shield - Grass	1	
62	R315183	315183	Brace - Grass Shield 84-PRI	1	
62	R363328	363328	Brace - Grass Shield 85-ON	1	
63	R400102	400102	Bolt - Hex HD 1/4-20 x 3/8 GR5	1	
64	R3253-3	3253-3, 446128, 446130	Washer - Lock 1/4	1	
65	R446136	446134, 446136	Washer - Lock 5/16 Zinc	2	
66	R443106	443106	Nut - 5/16-18 Y/Zinc Plated	2	
67	R554571	554571	Bearing	2	
68	R302-5	302-5, 471214, 471223, 471226	Fitting - Grease	2	
69	R163541	163541	Cable - Throttle 4 Cyc	1	
70	R150425	150425	Bolt - Hex HD 8-32 x 5/8	12	
71	R3296-9		Locknut - Comb	12	
72	R337677	315257, 337677	Seal - Oil	4	
72	R325652	325652	Seal - Inner (Cork) Roller	4	
73	R303566	303566	Bearing - LH Wheel Support	1	

All original equipment manufacturers names and part numbers are used for identification purposes only, and we are in no way implying that our products are original equipment parts. Prices subject to change without notice.



Replaces Jacobsen PGM 19 Parts

Cutting Unit
Reel & Bedknife



Item No	R&R Part No.	OEM Part No.	Description	Qty Req	Order Quantity
74	R313777	313777	Seal - LH Wheel Support	1	
75	R343667	343667	Bearing - Ball	1	
76	R337678	337678, 365753	Seal - Clutch Shaft Bearing	2	
76	R304751	304751	Seal - Cork Clutch Shaft	2	
77	R303490	303490	Bearing - Clutch Shaft	1	
78	R503268	503268	Roller - Traction	0	
<i>Tech Note: Includes: 8 ea: R364171 Bolts; 6 ea: R400190 Bolt, R446136 Washer; 2 ea: R163523 Roller, R302-5 Grease Fitting, R338394 Hub; 1 ea: R304569 Bushing, R364170 Seal, & R471222 Grease Fitting:</i>					
79	R163523	163523	Roller - Traction	2	
80	R304569	304569	Bushing	2	
81	R364170	364170, 366648	Seal	2	
82	R338394	338394	Hub - Traction Roller	2	
83	R400190	352737, 400190	Bolt - Hex HD 5/16-18 x 1-1/4 GR5	6	
84	R461256	461256	Pin - 1/4 x 1	2	
85	R364171	364171	Bolt - Flanged Hex 5/16-18 x 1-1/4	8	
86	R471222	471222	Zerk - Grease w/ Ext.	2	
87	R471219	366852, 471219	Zerk - Grease	2	
88	R444742	444742	Nut - 3/4-16 Gripco Centerlock	1	
89	R458013	458013	Ring - Retaining	1	
90	R220289	121855, 220289	Bed Bar - Bedknife	1	

All original equipment manufacturers names and part numbers are used for identification purposes only, and we are in no way implying that our products are original equipment parts. Prices subject to change without notice.



Replaces Jacobsen PGM 19 Parts

Cutting Unit
Reel & Bedknife



Item No	R&R Part No.	OEM Part No.	Description	Qty Req	Order Quantity
91	R101150		Shifter - Clutch Assy	1	
92	R101151		Sleeve - Throwout	1	
93	R101152		Shifter - w/Bearing	1	
94	R101153		Bearing - Shifter	1	
95	R101154		Ring - Retaining Shifter	1	
96	R101155		Ring - Retaining	1	
97	R150481	150481	Brush Assy - Brush Reel	4	
98	R101162		Conversion Kit - Vertical Mower	1	
<i>Tech Note: Includes 76 ea: R352221 Spacer; 26 ea: R101160 Blade; 1 ea: R101161 Shaft, R352437 Nut;</i>					
99	R101161		Shaft - V-Cut Fits 22 Gm	1	
100	R352221	352221	Spacer - Nylon V-Cut Shaft	76	
101	R412017	412017	Screw - Sq. HD Set	1	
102	R117036	117036, 502382	Shaft - Traction w/ Pin	1	
2 Cycle Engine Parts					
120	R312437	312437	Bearing	0	
121	R325472	325472	Seal	0	
122	R325473	325473	Bearing - Pgm Eng	0	
123	R325485	325485	Seal - Pgm Eng.	0	
124	R308594	308594	Gasket - Muffler	0	
125	R309749	309749	Gasket - Cylinder Head	0	
126	R309761	309761	Gasket - Exhaust Flange	0	

All original equipment manufacturers names and part numbers are used for identification purposes only, and we are in no way implying that our products are original equipment parts. Prices subject to change without notice.



Replaces Jacobsen PGM 19 Parts

*Cutting Unit
Reel & Bedknife*



Item No	R&R Part No.	OEM Part No.	Description	Qty Req	Order Quantity
127	R313336	313336	Gasket - Reed Plate	0	
128	R325488	325488	Gasket - Carb Mounting	0	
129	R326728	326728	Gasket - Muffler	0	
130	R341792	341792	Gasket - Crankcase Head	0	
131	R341793	341793	Gasket - 2 Cycle Engine	0	
132	R341794	341794	Gasket - Backplate	0	

All original equipment manufacturers names and part numbers are used for identification purposes only, and we are in no way implying that our products are original equipment parts. Prices subject to change without notice.