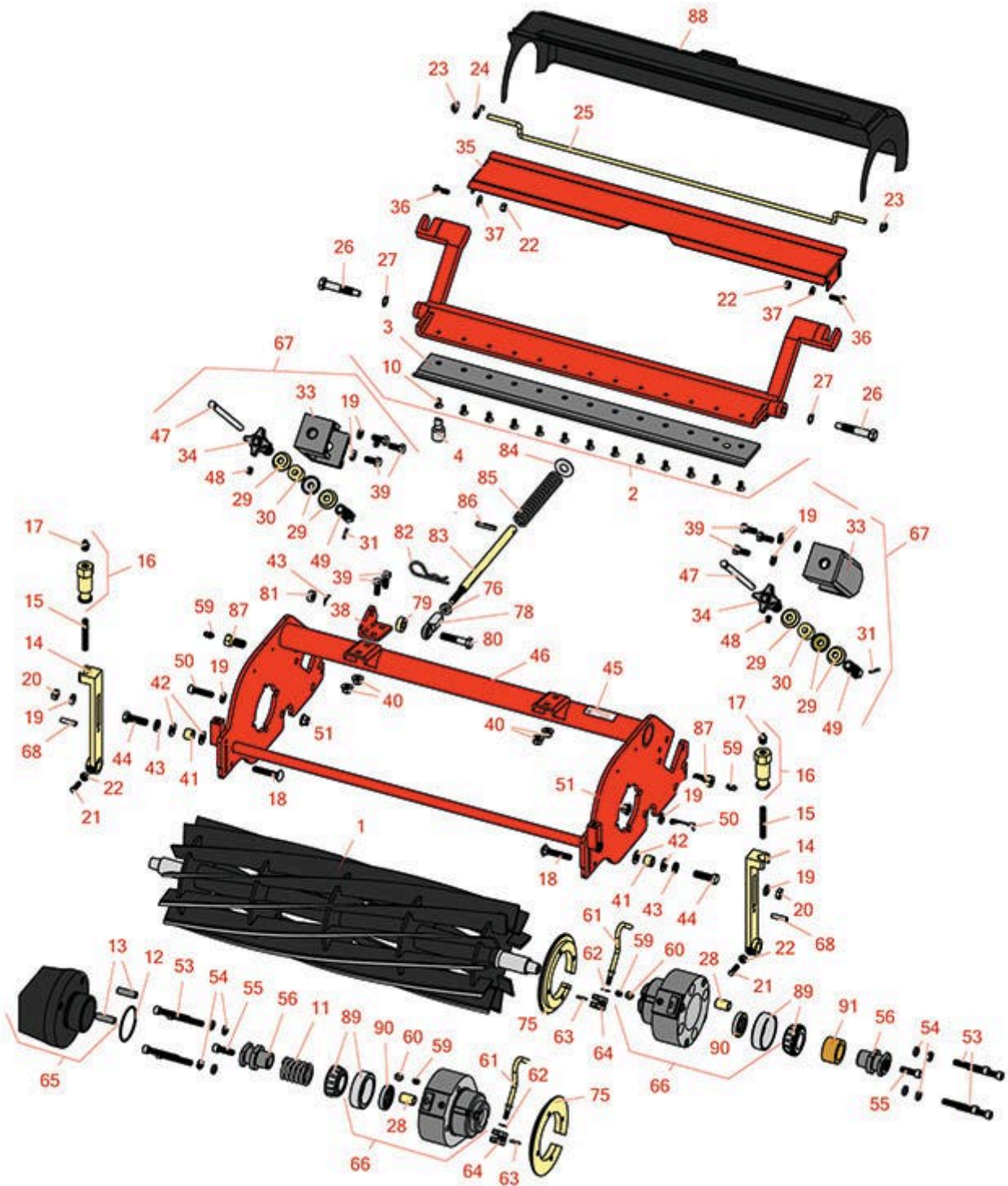




# Replaces Jacobsen LF-570 Parts

7" Cutting Unit  
Reel & Bedknife



All original equipment manufacturers names and part numbers are used for identification purposes only, and we are in no way implying that our products are original equipment parts. Prices subject to change without notice.



# Replaces Jacobsen LF-570 Parts

7" Cutting Unit  
Reel & Bedknife



Item No	R&R Part No.	OEM Part No.	Description	Qty Req	Order Quantity
---------	--------------	--------------	-------------	---------	----------------

### R&R Reels, Lifetime Guaranteed

1	R101329		Reel - 7 Blade	1	
1	R5002476	5002476	Reel - 9 Blade	1	
1	R2810471	2810471	Reel - 9 Blade	1	
1	R5002762	2810472, 5002762	Reel - 11 Blade	1	

### R&R Bedknives, Lifetime Guaranteed

2	R1002556	1002556	Bedknife/Bedbar Assy	1	
<i>Tech Note: w/ R503257 Bedknife:</i>					
2	R1003934	1003934	Bedknife/Bedbar Assy	1	
<i>Tech Note: W/ R5003150 Bedknife:</i>					
3	R5003150	5003150	Bedknife - Low Cut	1	
3	R503460	503257, 503460	Bedknife - 22 in 13 Hole	1	

### R&R Razor Tool Steel Bedknives, Lifetime Guaranteed

3	R101523		Bedknife - Razor Tool Steel - 22 High Cut	1	
---	---------	--	---	---	--

### Service Tools

4	R101272T		Bedknife Screw Driver Tool	0	
<i>Tech Note: Easily install and remove bed knife screws with the help of a ratchet. Tool manufactured with hardened alloy steel.:</i>					

### Other Parts Available

10	R101272	101272, 3009138, 402578, 800813	Screw - Bedknife 1/4-20 x 1/2	13	
----	---------	--	-------------------------------	----	--

All original equipment manufacturers names and part numbers are used for identification purposes only, and we are in no way implying that our products are original equipment parts. Prices subject to change without notice.



# Replaces Jacobsen LF-570 Parts

7" Cutting Unit  
Reel & Bedknife



Item No	R&R Part No.	OEM Part No.	Description	Qty Req	Order Quantity
11	<b>R3004734</b>	3004734	Spring - Compression	1	
12	<b>R3006021</b>	3006021	O-Ring	1	
13	<b>R3006022</b>	3006022	Pin - Hardened Counter Balance	2	
14	<b>R3004738</b>	3004738	Adjuster - Front Roller	2	
15	<b>R343616</b>	343616, 443102	Stud	2	
16	<b>R365009</b>	3005692, 365009, 365170, 441674	Knob - Adjusting Roller	2	
17	<b>R471219</b>	366852, 471219	Zerk - Grease	2	
18	<b>R441674</b>	441674	Screw - 5/16-18 x 1-3/4 Carriage	2	
19	<b>R446136</b>	446134, 446136	Washer - Lock 5/16 Zinc	2	
20	<b>R443106</b>	443106	Nut - 5/16-18 Y/Zinc Plated	2	
21	<b>R352737</b>	352737	Screw - Set 1/4 x 7/8 Sq Head	2	
22	<b>R443102</b>	443102	Nut - 1/4-20 Yellow Zinc	4	
23	<b>R445525</b>	445525	Nut - 1/4 Pal	2	
24	<b>R3009281</b>	3009281	Spring - Torsion 22 Roller	1	
25	<b>R3009280</b>	3009280	Scraper - 22 Rear Roller (Rod)	1	
26	<b>R347169</b>	347169, 365501	Stud - Backing RH 2-5/16	2	
27	<b>R454017</b>	454017	Shim - Bed Bar Bolt	2	
28	<b>R545940</b>	2500759, 545940	Bushing	2	

All original equipment manufacturers names and part numbers are used for identification purposes only, and we are in no way implying that our products are original equipment parts. Prices subject to change without notice.



# Replaces Jacobsen LF-570 Parts

7" Cutting Unit  
Reel & Bedknife



Item No	R&R Part No.	OEM Part No.	Description	Qty Req	Order Quantity
29	<b>R3009892</b>	3009075, 3009892	Spacer - Cup	6	
30	<b>R3010470</b>	3008946, 3010470	Spring - Urethane	2	
31	<b>R460026</b>	460026	Pin - Cotter 1/8 x 3/4	2	
33	<b>R3004795</b>	3004795	Housing - Bed Knife Adj	1	
34	<b>R2000125</b>	2000125, 2000215	Knob, Bedknife Adj.	2	
35	<b>R3006248</b>	3006248	Deflector	1	
36	<b>R321-4</b>	321-4, 400108	Bolt - Hex HD 1/4-20 x 3/4	2	
37	<b>R453023</b>	453023	Washer - Flat 1/4	2	
38	<b>R3008601</b>	3008601	Bracket - Spring Holddown	1	
39	<b>R400184</b>	400184, 400194	Screw - 5/16-18 x 3/4 Hex	2	
40	<b>R445722</b>	445722	Nut - Serrated Washer	2	
41	<b>R3006290</b>	3006290	Spacer - Hardened	2	
42	<b>R453011</b>	453011	Washer - Flat 3/8 SAE Y/Zinc	4	
43	<b>R3254-6</b>	3254-6, 446140, 446142	Washer - Lock 3/8	2	
44	<b>R400264</b>	400264	Bolt - Hex HD 3/8-16 x 1-1/4	2	
45	<b>R354083</b>	354083, 361877, 4127335	Decal - Danger	2	
46	<b>R5002609</b>	5002609	Frame	1	
47	<b>R3010472</b>	3004798, 3010472	Rod - Bedknife Adj	2	

All original equipment manufacturers names and part numbers are used for identification purposes only, and we are in no way implying that our products are original equipment parts. Prices subject to change without notice.



# Replaces Jacobsen LF-570 Parts

7" Cutting Unit  
Reel & Bedknife



Item No	R&R Part No.	OEM Part No.	Description	Qty Req	Order Quantity
48	<b>R422511</b>	422511	Screw - Set w/Nylon Plug	2	
49	<b>R3010471</b>	3004799, 3009894, 3010471	Bolt - Special	2	
50	<b>R434036</b>	434036	Screw - Soc HD 5/16-18 x 1-1/4	2	
51	<b>R445795</b>	445795	Nut - 5/16-18 Flanged	2	
53	<b>R434049</b>	434049	Bolt - Soc HD Cap 5/16-18 x 2	8	
54	<b>R362643</b>	362643	Spacer - Brg Housing	8	
55	<b>R434004</b>	434003, 434004	Screw - Soc HD 5/16-18 x 1	2	
56	<b>R4166860</b>	3004737, 3010046, 4166860	Coupler	2	
59	<b>R302-5</b>	302-5, 471214, 471223, 471226	Fitting - Grease	2	
60	<b>R170714</b>	170714, 471240, 471242	Fitting - Pressure Relief	2	
61	<b>R3006028</b>	3006028	Rod	2	
62	<b>R455066</b>	455066	Washer - M6 Flat	2	
63	<b>R012419</b>	461357, 461359	Pin - Roll 1/8 x 3/4	2	
64	<b>R4130092</b>	4130092	Block - Clamp	2	
65	<b>R2000135</b>	2000135	Casting - Weight - Counter Balance	1	
66	<b>R1002811</b>	1002811	Bearing Housing Assy	2	
67	<b>R1002532</b>	1002532	Adjusting Assy - Bedknife	2	

All original equipment manufacturers names and part numbers are used for identification purposes only, and we are in no way implying that our products are original equipment parts. Prices subject to change without notice.



# Replaces Jacobsen LF-570 Parts

7" Cutting Unit  
Reel & Bedknife



Item No	R&R Part No.	OEM Part No.	Description	Qty Req	Order Quantity
68	<b>R461256</b>	461256	Pin - 1/4 x 1	2	
75	<b>R3005210</b>	3005210	Ring - Retaining	1	
76	<b>R443110</b>	306562, 443110, 444762	Nut - 3/8-16 Hex	1	
78	<b>R366974</b>	366974	Bearing - Rod End	1	
79	<b>R352435</b>	352435	Spacer	1	
80	<b>R400266</b>	400266	Bolt - Hex HD 3/8-16 x 1-1/2	1	
80	<b>R400268</b>	400268	Bolt - Hex HD 3/8-16 x 1-3/4	1	
81	<b>R3219-3</b>	3219-3, 443112, 443812	Nut - 3/8-24	1	
82	<b>R460312</b>	460312	Pin - Hair Cotter	1	
83	<b>R3008593</b>	3008593	Shaft - Down Pressure	1	
84	<b>R453017</b>	452012, 453017	Washer - Flat 1/2	1	
85	<b>R311870</b>	311870	Spring - Compression	1	
86	<b>R461397</b>	461397	Pin - Roll 1/4 x 1-1/4	1	
87	<b>R345470</b>	1002226, 345470	Bolt - Rear Roller 7/16-20	2	
<i>Tech Note: Incl. Grease Zerk:</i>					
88	<b>R3005209</b>	3005209	Shield - Grass	1	
89	<b>R5002477</b>	5002477	Bearing - w/Cup	2	
90	<b>R3006030</b>	3006030	Seal	2	
91	<b>R3004800</b>	3004800	Spacer - Hardened Reel	1	

All original equipment manufacturers names and part numbers are used for identification purposes only, and we are in no way implying that our products are original equipment parts. Prices subject to change without notice.