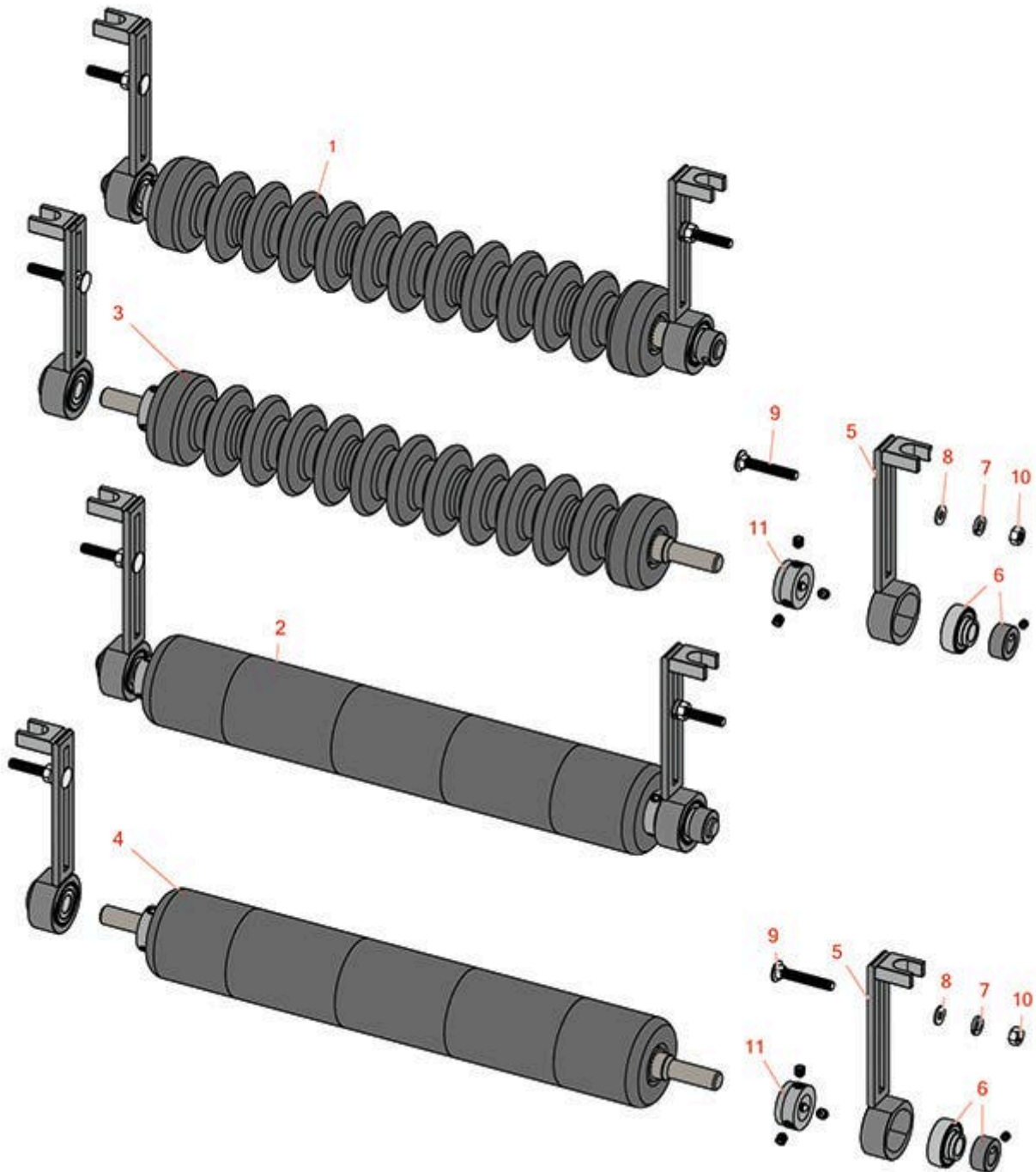




Replaces Jacobsen LF-1880 Parts

Cutting Unit

Minuteman Roller System



All original equipment manufacturers names and part numbers are used for identification purposes only, and we are in no way implying that our products are original equipment parts. Prices subject to change without notice.



Replaces Jacobsen LF-1880 Parts

Cutting Unit

Minuteman Roller System



Item R&R
No Part No.

OEM
Part No.

Description

Qty
Req

Order
Quantity

Complete Minuteman Roller Systems

1	RMJ1801		Minuteman Front 18" Grooved Roller System	0
---	----------------	--	---	---

Tech Note: Complete roller systems include roller, two brackets with bearings and mounting hardware.:

2	RMJ1801S		Minuteman Front Smooth Roller System	0
---	-----------------	--	--------------------------------------	---

Tech Note: Complete roller systems include roller, two brackets with bearings and mounting hardware.:

Minuteman Rollers Only

3	RM521		Minuteman Grooved Roller Only - 18 in	0
---	--------------	--	---------------------------------------	---

Tech Note: Use with Minuteman Roller Bracket System Only:

4	RM521S		Minuteman Smooth Roller Only	0
---	---------------	--	------------------------------	---

Tech Note: Use with Minuteman Roller Bracket System Only:

Other Parts Available

5	RJ121		Bracket - Front LH/RH	2
---	--------------	--	-----------------------	---

6	RMMB157		Bearing w/Locking Collar	2
---	----------------	--	--------------------------	---

7	R446136	446134, 446136	Washer - Lock 5/16 Zinc	2
---	----------------	-------------------	-------------------------	---

8	R453009	3256-23, 452004, 452006, 452008, 453009	Washer - Flat 5/16 SAE	2
---	----------------	---	------------------------	---

9	RMM602		Bolt - Carriage 5/16-18 x 2 Gr 5	2
---	---------------	--	----------------------------------	---

10	RMM603		Nut - Hex 5/16-18	2
----	---------------	--	-------------------	---

11	RMM3		End Hub - 7/8 ID	2
----	-------------	--	------------------	---

All original equipment manufacturers names and part numbers are used for identification purposes only, and we are in no way implying that our products are original equipment parts. Prices subject to change without notice.