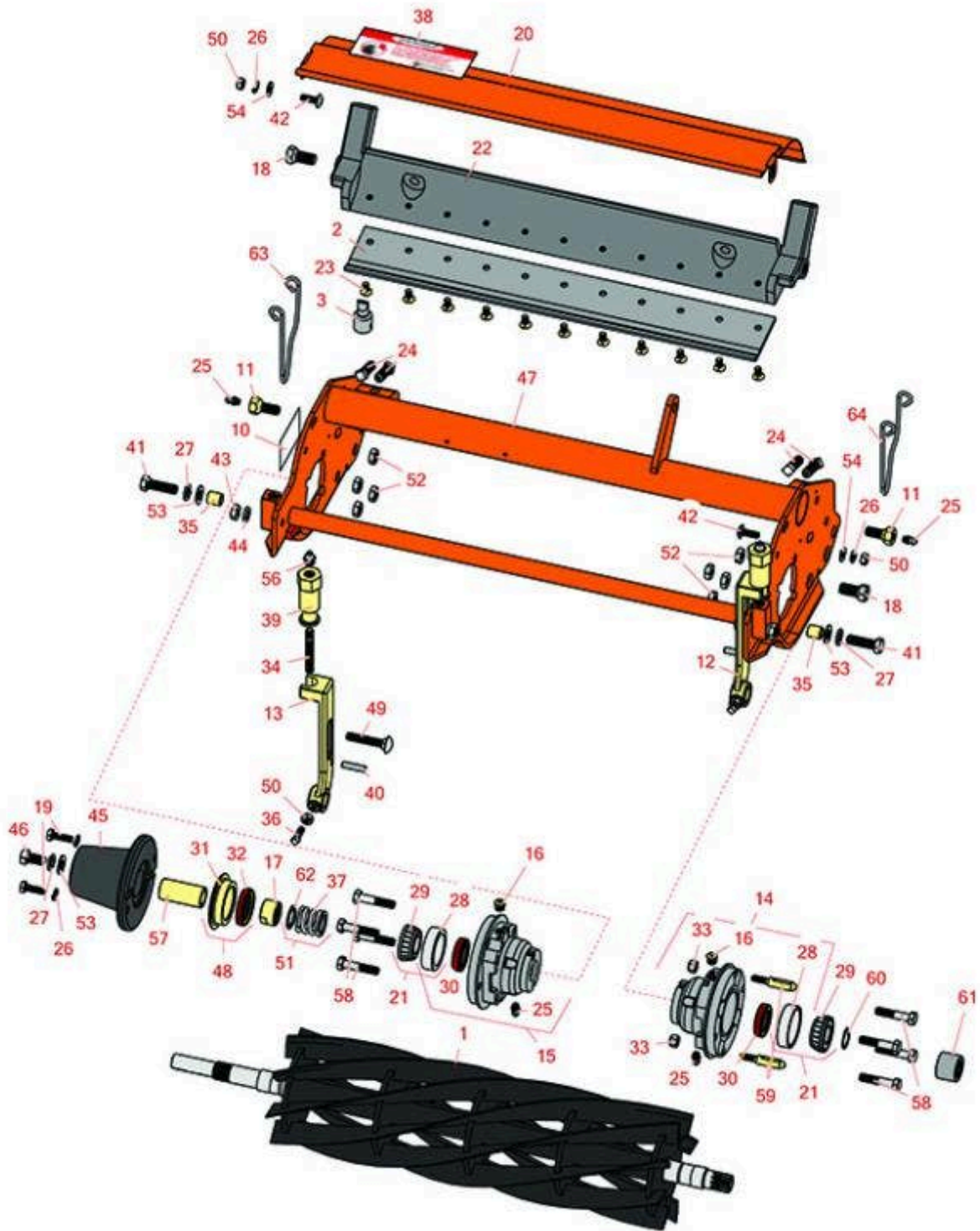




Replaces Jacobsen LF-1880 Parts

Cutting Unit
Reel & Bedknife



All original equipment manufacturers names and part numbers are used for identification purposes only, and we are in no way implying that our products are original equipment parts. Prices subject to change without notice.



Replaces Jacobsen LF-1880 Parts

Cutting Unit
Reel & Bedknife



Item No	R&R Part No.	OEM Part No.	Description	Qty Req	Order Quantity
---------	--------------	--------------	-------------	---------	----------------

R&R Reels, Lifetime Guaranteed

1	R4119512	4119512	Reel - 8 Blade	1	
1	R4119513	4119513	Reel - 11 Blade	1	

R&R Bedknives, Lifetime Guaranteed

2	R4118902	4118902	Bedknife	1	
---	----------	---------	----------	---	--

Service Tools

3	R101272T		Bedknife Screw Driver Tool	0	
---	----------	--	----------------------------	---	--

Tech Note: Easily install and remove bed knife screws with the help of a ratchet. Tool manufactured with hardened alloy steel.:

Other Parts Available

10	R1000997	1000997	Decal - Warning	2	
11	R1002224	1002224	Bolt - Rear Roller 3/8-24	2	

Tech Note: Incl Grease Zerk:

12	R153980	153980, 3008438	Bracket - Front Roller	1	
13	R153979	153979, 3008439	Bracket - Front Roller	1	

14	R1004786	1004786	Housing - Bearing Quick Clip	1	
----	----------	---------	------------------------------	---	--

Tech Note: Includes: R336962, R302-5, R254-79, R3010296, R32152-4 & R170714:

15	R164144	1000480, 163397, 164144, 2000060	Housing - Reel Bearing	1	
----	---------	---	------------------------	---	--

Tech Note: Includes R336962 Seal, R302-5 Zerk, R170714 Relief Fitting & R254-79 Cup:

16	R170714	170714, 471240, 471242	Fitting - Pressure Relief	2	
----	---------	------------------------------	---------------------------	---	--

All original equipment manufacturers names and part numbers are used for identification purposes only, and we are in no way implying that our products are original equipment parts. Prices subject to change without notice.



Replaces Jacobsen LF-1880 Parts

Cutting Unit
Reel & Bedknife



Item No	R&R Part No.	OEM Part No.	Description	Qty Req	Order Quantity
17	R364900	364900	Nut - Reel Tension	1	
18	R315298	315298	Bolt - Bed Bar	2	
19	R321-5	321-5, 400110	Bolt - Hex HD 1/4-20 x 7/8	2	
20	R2811027	2811027	Shield - Grass	1	
21	R500534	500534, R500534	Bearing - with Cup	2	
22	R2811055	2811055	Bed Bar	1	
23	R101272	101272, 3009138, 402578, 800813	Screw - Bedknife 1/4-20 x 1/2	11	
24	R412506	412503, 412506	Screw - Bed Bar Adjusting	4	
25	R302-5	302-5, 471214, 471223, 471226	Fitting - Grease	4	
26	R3253-3	3253-3, 446128, 446130	Washer - Lock 1/4	2	
27	R3254-6	3254-6, 446140, 446142	Washer - Lock 3/8	4	
28	R254-79	254-79, 4121175	Cup - Bearing	2	
<i>Tech Note: Use R254-79M installation mandrel to properly install race.:</i>					
29	R254-78	254-78, 385174, 4121174, 4135152	Tapered Bearing Cone	2	
30	R336962	336962	Seal	2	

All original equipment manufacturers names and part numbers are used for identification purposes only, and we are in no way implying that our products are original equipment parts. Prices subject to change without notice.



Replaces Jacobsen LF-1880 Parts

Cutting Unit
Reel & Bedknife



Item No	R&R Part No.	OEM Part No.	Description	Qty Req	Order Quantity
31	R363814	163892, 363814	Spacer - Seal	1	
32	R337677	315257, 337677	Seal - Oil	1	
33	R32152-4	32152-4, 444708	Locknut - 1/4-20 All Metal	2	
34	R343616	343616, 443102	Stud	2	
35	R345510	345510	Spacer	2	
36	R352737	352737	Screw - Set 1/4 x 7/8 Sq Head	2	
37	R363047	348846, 363047	Spring - Reel	1	
38	R354083	354083, 361877, 4127335	Decal - Danger	2	
39	R365009	3005692, 365009, 365170, 441674	Knob - Adjusting Roller	2	
40	R461256	461256	Pin - 1/4 x 1	2	
41	R400264	400264	Bolt - Hex HD 3/8-16 x 1-1/4	2	
42	R403782	400018, 403782	Screw - 1/4-20 x 3/4 Truss Head	2	
43	R443106	443106	Nut - 5/16-18 Y/Zinc Plated	2	
44	R446136	446134, 446136	Washer - Lock 5/16 Zinc	2	
45	R2000065	2000065	Weight - Counter	1	
46	R400294	400294	Screw - 3/8 24 x 3/4 Hex C/Zinc	1	
47	R4119514	4119514	Frame - Fits LF1880	1	

All original equipment manufacturers names and part numbers are used for identification purposes only, and we are in no way implying that our products are original equipment parts. Prices subject to change without notice.



Replaces Jacobsen LF-1880 Parts

Cutting Unit
Reel & Bedknife



Item No	R&R Part No.	OEM Part No.	Description	Qty Req	Order Quantity
48	R163398	163398, 163892	Seal - Spacer Assy	1	
49	R441674	441674	Screw - 5/16-18 x 1-3/4 Carriage	2	
50	R443102	443102	Nut - 1/4-20 Yellow Zinc	2	
51	R5002151	5002151	Hardware Kit - Spring/Washer	1	
<i>Tech Note: Includes 1 ea: R304745 Washer, R363047 Spring:</i>					
52	R445795	445795	Nut - 5/16-18 Flanged	10	
53	R453011	453011	Washer - Flat 3/8 SAE Y/Zinc	3	
54	R453023	453023	Washer - Flat 1/4	2	
56	R471219	366852, 471219	Zerk - Grease	2	
57	R367164	367164	Spacer - Reel	1	
58	R400192	400192	Bolt - Hex HD 5/16-18 x 1-1/2	8	
59	R3010296	3010296	Pin - Motor Mounting	2	
60	R458013	458013	Ring - Retaining	1	
61	R3001720	3001720	Coupler - Iron - Hyd Motor	1	
62	R304745	304745	Washer - Reel	1	
63	R2810165	2810165, 2810166, 3010236, 3010636	Clip - Spring Motor	1	
64	R2810166	2810166, 3010637	Clip - Spring Motor	1	

All original equipment manufacturers names and part numbers are used for identification purposes only, and we are in no way implying that our products are original equipment parts. Prices subject to change without notice.