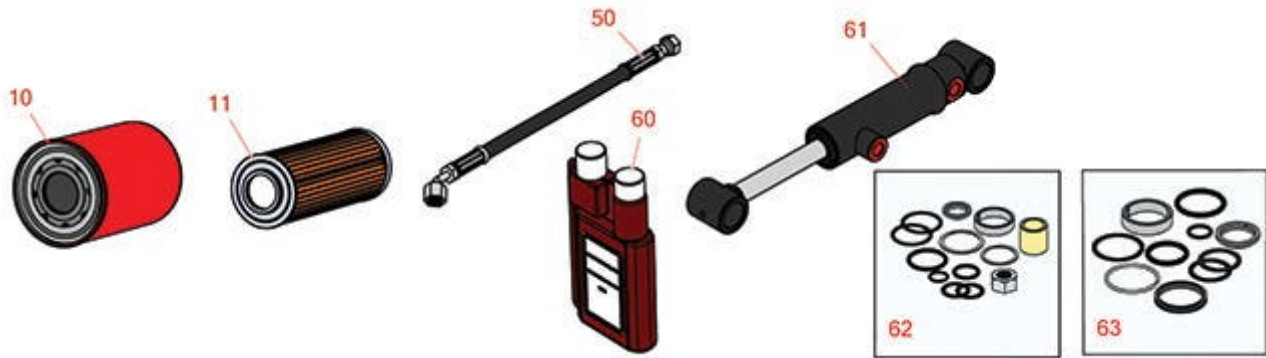




# Replaces Jacobsen LF-100 Parts

Traction Unit  
Hydraulics



All original equipment manufacturers names and part numbers are used for identification purposes only, and we are in no way implying that our products are original equipment parts. Prices subject to change without notice.



# Replaces Jacobsen LF-100 Parts

Traction Unit  
Hydraulics



Item No	R&R Part No.	OEM Part No.	Description	Qty Req	Order Quantity
---------	--------------	--------------	-------------	---------	----------------

## Filters

10	<b>R554630</b>	551135, 554630, 558022	Filter - Oil	1	
11	<b>R556416</b>	556416	Element - Cartridge Hyd	1	

## Hoses

50	<b>R132038</b>	132038	Hydraulic Hose Assy	1	
50	<b>R132045</b>	132045	Hydraulic Hose Assy	2	
50	<b>R132046</b>	132046	Hydraulic Hose Assy	1	
50	<b>R132056</b>	132056	Hydraulic Hose Assy	1	
50	<b>R132063</b>	132063	Hydraulic Hose Assy	1	
<i>Tech Note: Fits Dual Reel Pump to Solenoid Valve:</i>					
50	<b>R132064</b>	132064	Hydraulic Hose Assy	1	
<i>Tech Note: Fits Dual Reel Pump to Solenoid Valve:</i>					
50	<b>R132066</b>	132066	Hydraulic Hose Assy	1	
50	<b>R132067</b>	132067	Hydraulic Hose Assy	1	
50	<b>R132068</b>	132068	Hydraulic Hose Assy	1	
50	<b>R132069</b>	132069	Hydraulic Hose Assy	1	
50	<b>R132614</b>	132074	Hydraulic Hose Assy	1	
50	<b>R132613</b>	132075	Hydraulic Hose Assy	1	
50	<b>R132609</b>	132076	Hydraulic Hose Assy	1	
50	<b>R132610</b>	132077	Hydraulic Hose Assy	1	
50	<b>R132604</b>	132078	Hydraulic Hose Assy	1	

All original equipment manufacturers names and part numbers are used for identification purposes only, and we are in no way implying that our products are original equipment parts. Prices subject to change without notice.



# Replaces Jacobsen LF-100 Parts

Traction Unit

Hydraulics



Item No	R&R Part No.	OEM Part No.	Description	Qty Req	Order Quantity
50	<b>R132606</b>	132079	Hydraulic Hose Assy	1	
50	<b>R132608</b>	132080	Hydraulic Hose Assy	1	
50	<b>R132090</b>	132090	Hydraulic Hose Assy	1	
50	<b>R132145</b>	132145	Hydraulic Hose Assy	1	
50	<b>R132160</b>	132160	Hydraulic Hose Assy	1	
<i>Tech Note: FITS REAR CYLINDERS RETURN TO LIFT VALVES:</i>					
50	<b>R132161</b>	132161	Hydraulic Hose Assy	1	
50	<b>R364961</b>	364961	Hydraulic Hose Assy	1	
50	<b>R364962</b>	364962	Hydraulic Hose Assy	1	
50	<b>R364968</b>	364968	Hydraulic Hose Assy	1	
50	<b>R364969</b>	364969	Hydraulic Hose Assy	1	
50	<b>R554751</b>	554751	Hose - Fuel 1/4 in 10 ft	0	
50	<b>R132071</b>	132071	Hydraulic Hose Assy	2	
50	<b>R132072</b>	132072	Hydraulic Hose Assy	1	
50	<b>R132073</b>	132073	Hydraulic Hose Assy	1	
50	<b>R132060</b>	132060	Hydraulic Hose Assy	1	
50	<b>R132061</b>	132061	Hydraulic Hose Assy	1	
50	<b>R132058</b>	132058	Hydraulic Hose Assy	1	
50	<b>R132057</b>	132057	Hydraulic Hose Assy	1	
50	<b>R132070</b>	132070	Hydraulic Hose Assy	1	
<i>Tech Note: Includes 2 ea R132071, &amp; 1ea. R132072 &amp; R132073:</i>					
50	<b>R132159</b>	132159	Hydraulic Hose Assy	1	

All original equipment manufacturers names and part numbers are used for identification purposes only, and we are in no way implying that our products are original equipment parts. Prices subject to change without notice.



# Replaces Jacobsen LF-100 Parts

Traction Unit

Hydraulics



Item R&R  
No Part No.

OEM  
Part No.

Description

Qty  
Req

Order  
Quantity

*Tech Note: Includes 2 ea R132071, & 1ea. R132072 & R132160:*

## Cylinders

60	<b>R525-16</b>		Hydraulic Oil Dye - 16 oz	0
61	<b>R132032</b>	132032	Hydraulic Cylinder	3
61	<b>R132033</b>	132033	Hydraulic Cylinder	2
62	<b>R554759</b>	554759	Seal Kit - Fits R132032 Cylinder	1
63	<b>R554760</b>	554760	Seal Kit - Fits R132033 Cylinder	1

All original equipment manufacturers names and part numbers are used for identification purposes only, and we are in no way implying that our products are original equipment parts. Prices subject to change without notice.