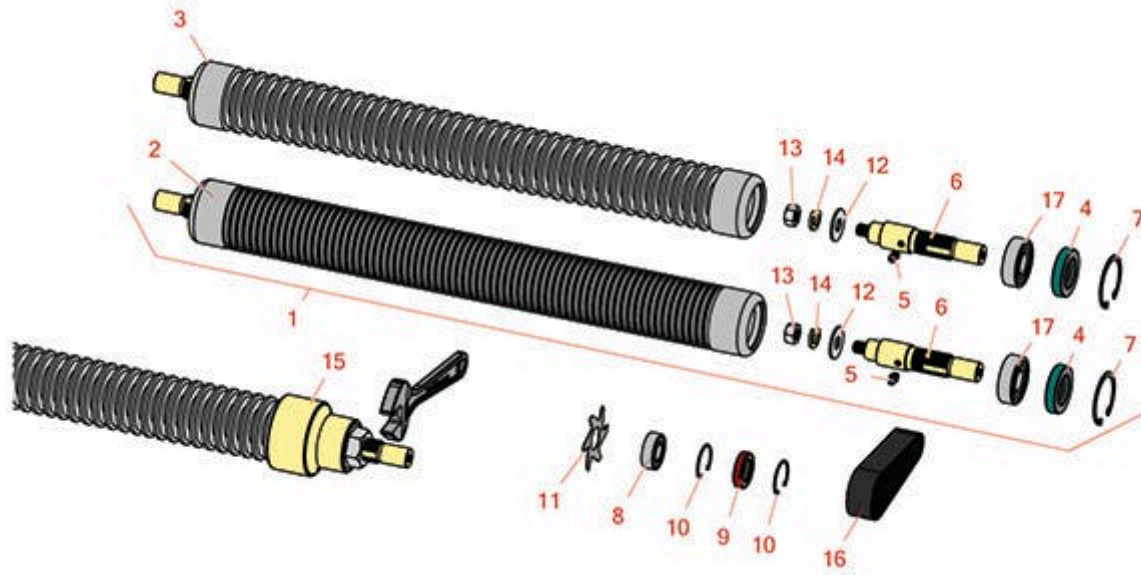




Replaces Jacobsen Greens King V & VI

Parts

Cutting Unit
Groomer Roller



All original equipment manufacturers names and part numbers are used for identification purposes only, and we are in no way implying that our products are original equipment parts. Prices subject to change without notice.



Replaces Jacobsen Greens King V & VI

Parts

Cutting Unit
Groomer Roller



Item No	R&R Part No.	OEM Part No.	Description	Qty Req	Order Quantity
Groomer Rollers					
1	R100115		Groomer Roller - 22 in	1	
<i>Detail Description: Note: 2 1/2 in Dia w/1/4 Spacing:</i>					
2	R390899	390899	Roller Tube - Grooved 2.5 x 22 - 1/4 in Spacing	1	
<i>Detail Description: Note: W/ 1/4 Spacing:</i>					
3	R390900	390900	Roller - Grooved 2-1/2 x 22	1	
<i>Detail Description: Note: w/ 1/2 Spacing:</i>					
Other Parts Available					
4	R338773	338773	Seal	2	
5	R302-5	302-5, 471214, 471223, 471226	Fitting - Grease	2	
6	R338772	338772	Shaft - Roller - RH	2	
7	R458113	458113	Ring - Snap Fits Groomer	2	
8	R365229	365229	Bearing	2	
9	R336962	336962	Seal	2	
10	R458461	458461	Snap Ring	4	
11	R365230	365230	Verti-Cut Blade - 2-1/2 Dia.	85	
12	R453013	452008, 453013	Washer - Flat 7/16	2	
13	R443816	443816	Nut - 7/16-20 Hex Jam	2	
14	R446146	446146, 446148	Lock Washer - 7/16	2	

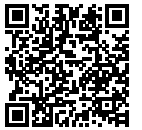
All original equipment manufacturers names and part numbers are used for identification purposes only, and we are in no way implying that our products are original equipment parts. Prices subject to change without notice.



Replaces Jacobsen Greens King V & VI

Parts

Cutting Unit
Groomer Roller



Item No	R&R Part No.	OEM Part No.	Description	Qty Req	Order Quantity
15	R262		Bearing Puller - Fits Groomer Roller	1	
<i>Tech Note: Excellent tool to quickly remove bearings and shafts from R390899 and R390900 groomer rollers. Puller Fits Jacobsen & R&R 2-1/2" Groomer Rollers:</i>					
<i>Detail Description: R&R Products developed a special line of tools to remove tapered bearing races from rollers, gear boxes and the outer ball bearing races left inside roller ends, in case of a catastrophic bearing failure. The R&R Puller contains a mandrel and spreader which secures behind the tapered bearing race or to the inside ball bearing groove. The tube assembly, which contains its own tapered bearing pulling system, is then placed over the mandrel and spreader to easily remove the outer race. Mandrels and spreaders are manufactured by R&R Products from high carbon chromium vanadium steel and heat treated for maximum strength.:</i>					
16	R365235	365235	Belt - Timing Fits 2-1/2 Groomers	1	
17	R365330	365330	Bearing	2	

All original equipment manufacturers names and part numbers are used for identification purposes only, and we are in no way implying that our products are original equipment parts. Prices subject to change without notice.