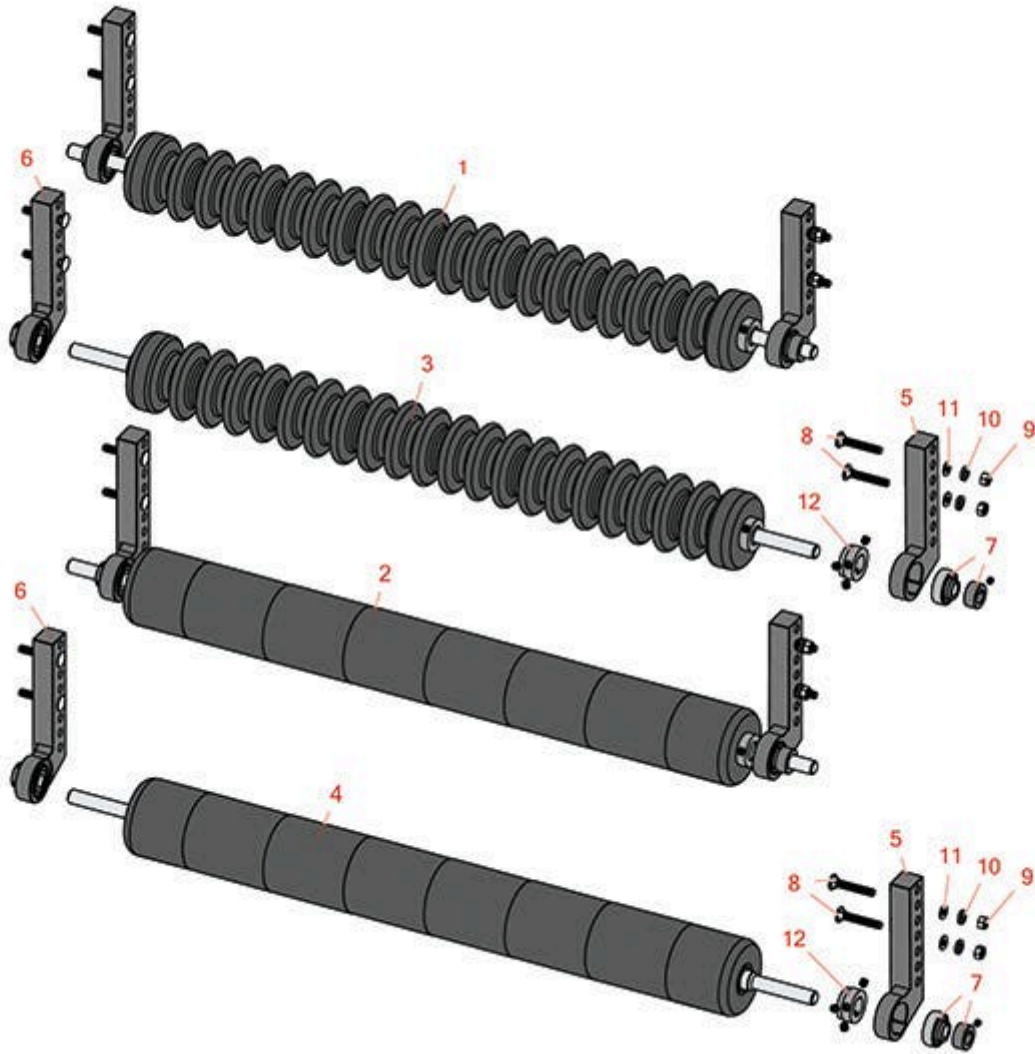




Replaces Jacobsen Fairway Parts

Cutting Unit

Minuteman Roller System



All original equipment manufacturers names and part numbers are used for identification purposes only, and we are in no way implying that our products are original equipment parts. Prices subject to change without notice.



Replaces Jacobsen Fairway Parts

Cutting Unit

Minuteman Roller System



Item R&R
No Part No.

OEM
Part No. Description

Qty
Req Order
Quantity

Complete Minuteman Roller Systems

1 **RMJ9022** Minuteman Rear Grooved Roller System 0

Detail Description: Complete roller systems include roller and two brackets with bearings.:

2 **RMJ9023** Minuteman Rear Smooth Roller System 0

Detail Description: Complete roller systems include roller and two brackets with bearings.:

Minuteman Rollers Only

3 **RM534** Minuteman Grooved Roller Only 0

Detail Description: Use with Minuteman Roller Bracket System Only:

4 **RM535** Minuteman Smooth Roller Only 0

Detail Description: Use with Minuteman Roller Bracket System Only:

Other Parts Available

5 **RJ931** Bracket - Rear LH 0

6 **RJ932** Bracket - Rear RH 0

7 **RMMB157** Bearing w/Locking Collar 0

8 **RMM602** Bolt - Carriage 5/16-18 x 2 Gr 5 0

9 **RMM603** Nut - Hex 5/16-18 0

10 **R446136** 446134,
446136 Washer - Lock 5/16 Zinc 0

11 **R453009** 3256-23,
452004,
452006,
452008,
453009 Washer - Flat 5/16 SAE 0

12 **RMM3** End Hub - 7/8 ID 0

All original equipment manufacturers names and part numbers are used for identification purposes only, and we are in no way implying that our products are original equipment parts. Prices subject to change without notice.