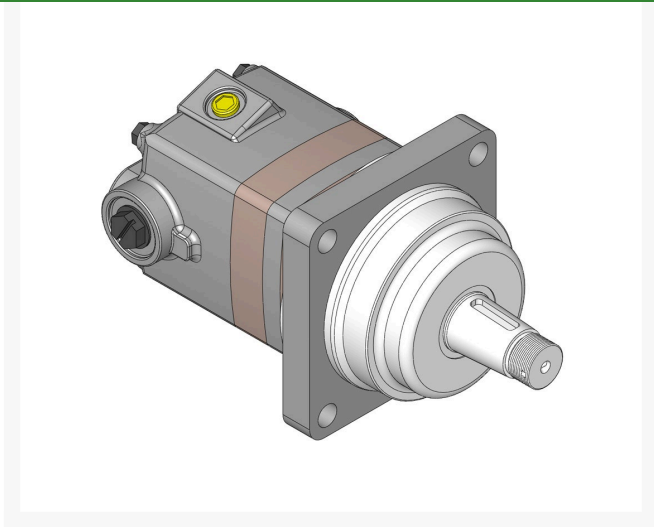




Hydraulic Motor - Wheel Front

R36-5610



Replaces

R&R Products

R29-1010, R33-3400,
R33-3490, R33-3520,
R33-3590, R56-6800

Toro

29-1010, 33-3400,
33-3490, 33-3520,
33-3590

Specifications

Manufacturer

R&R Products

Gritmaster

309 Percy Osborn Road Morningside, 4001
0313035785

<https://gritmaster.rrproducts.com/>