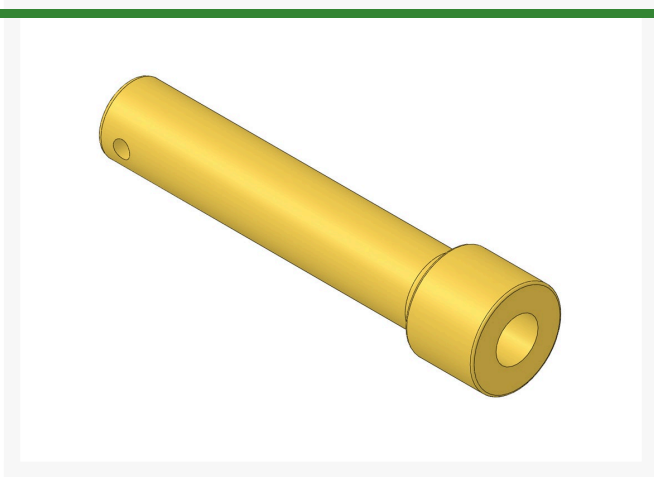




# Mandrel - Bearing

R303558M



## Details

R&R Mandrels allow proper installation of races, seals, bushings and bearings. Tools are constructed of solid steel and precision machined for exact fit.

## Specifications

Manufacturer

R&R Products

**Gritmaster**

309 Percy Osborn Road Morningside, 4001  
0313035785

<https://gritmaster.rrproducts.com/>