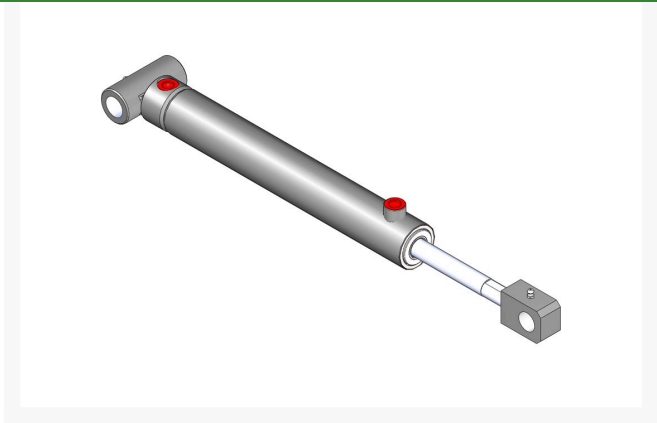




# Hydraulic Cylinder

R163217



**Replaces**  
Jacobsen 163217

**Specifications**  
Manufacturer R&R Products

**Fits Models**  
Jacobsen Ram Lift  
R&R Products Power Lift 5133GD  
R&R Products Power Lift 7180GD

**Replacement Parts**  
R302-5 Fitting - Grease  
R503067 Seal Kit - Fits R163217 Cyl