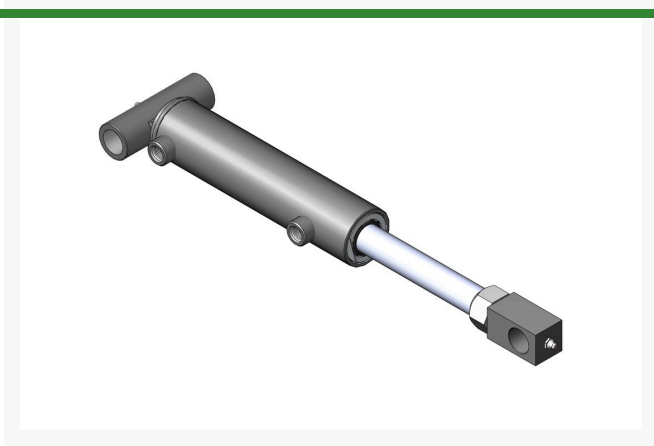




Hydraulic Cylinder

R163215



Replaces

Jacobsen 163215

Specifications

Manufacturer R&R Products

Fits Models

Jacobsen Ram Lift
R&R Products Power Lift 5133GD
R&R Products Power Lift 7180GD

Replacement Parts

R130210N1	Locknut - 3/4-16 Stover Zinc
R130210N2	Nut - 1-14 Hex Jam C/Zinc
R471219	Zerk - Grease
R500798	Seal Kit - Fits R130210 Cylinder
R700415	Zerk - Grease 1/8 PTF 45 Deg

Gritmaster

309 Percy Osborn Road Morningside, 4001
0313035785

<https://gritmaster.rrproducts.com/>