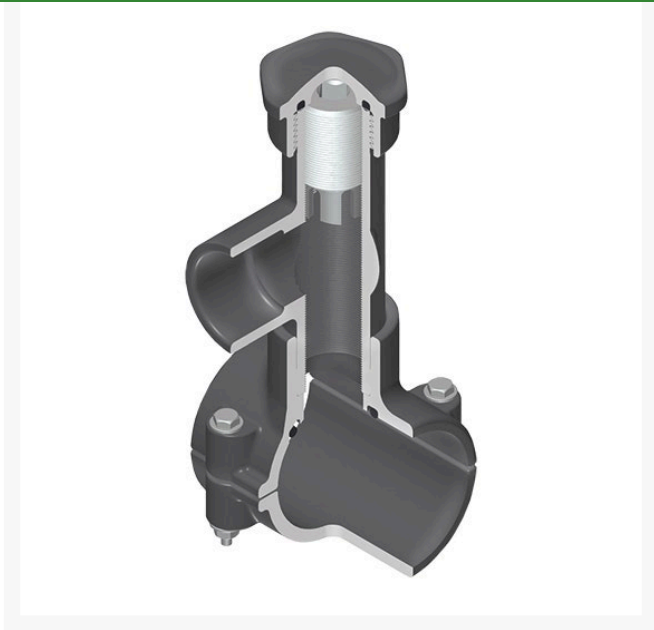




8x1-1/2 PVC Hot Tap Saddle EPDM S/S C RGHTS2S577



Details

Hot Tap Saddles allow connection to existing pipelines under pressure. Specially designed tapping saddle allows pipe branch connection to pressurized "Hot" lines without system shut-down. Available in PVC White, Gray or CPVC Gray configurations. Industrial grade bolt-on saddle with EPDM or FKM O-ring seals and choice of zinc-plated steel or Type 316 stainless steel hardware. Built-in brass or stainless steel cutter easily cuts hole in PVC, CPVC, HDPE and PP Pipe. Special design captures and retains coupon from hole. Pressure rated to 235 psi @ 73F. Available to fit IPS Pipe 2" through 8" with versatile 3/4" socket - 1" spigot combination branch outlet or 1"-1/2" Socket - 2" spigot combination branch outlet.

Specifications

| | |
|--------------|--------|
| Manufacturer | Spears |
| Seal Type | EPDM |

Gritmaster

309 Percy Osborn Road Morningside, 4001
0313035785

<https://gritmaster.rrproducts.com/>