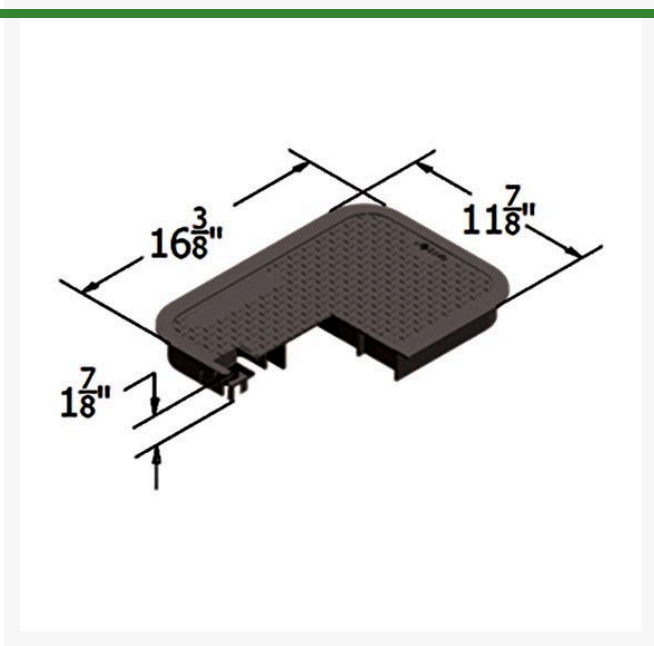




Carson Lid Only 1015 - Black Blank

RGC10154027



Details

Replacement lid for Carson 1015 valve box. HDPE (high-density polyethylene) construction. UV inhibitors. Made in USA.

Specifications

Manufacturer	Carson
Indicator	Blank
Lid Color	Black

Gritmaster

309 Percy Osborn Road Morningside, 4001
0313035785

<https://gritmaster.rrproducts.com/>