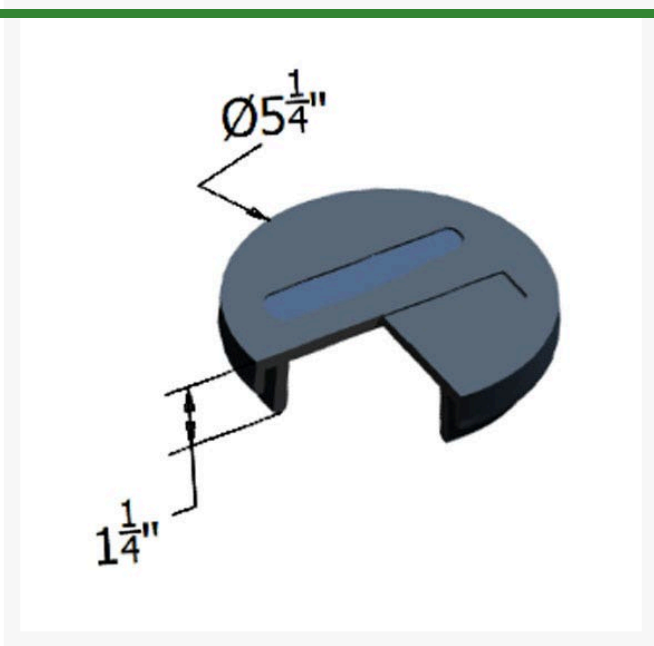




Carson Lid Only 510 - Black Blank

RGC05104001



Details

Replacement lid for the Carson 510 economy box. HDPE (high-density polyethylene) construction. UV inhibitors for long life and appearance. Made in USA.

Specifications

Manufacturer	Carson
Indicator	Blank
Lid Color	Black

Gritmaster

309 Percy Osborn Road Morningside, 4001
0313035785

<https://gritmaster.rrproducts.com/>