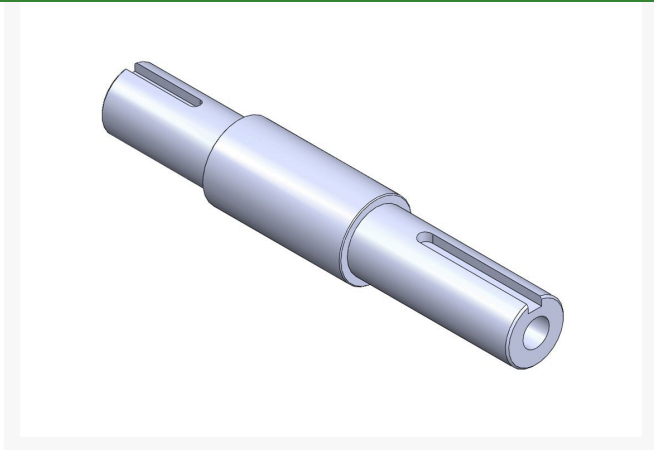




Shaft - Spindle

R076877



Replaces

Excel	076877
R&R Products	R712364

Specifications

Manufacturer	R&R Products
--------------	--------------

Fits Models

Excel Hustler

Gritmaster

309 Percy Osborn Road Morningside, 4001
0313035785

<https://gritmaster.rrproducts.com/>